



DIN Rail Terminal Blocks And Accessories System

2023-2024

DEGSON DIN Rail Terminal Blocks And Accessories System

DEGSON
Terminal Block

DEGSON ELECTRICAL CO., LTD.
ISO9001 ISO14001 ISO80079-34 ISO/TS22163 IATF16949

DEGSON
Circular Connectors

DEGSON ELECTRICAL CO., LTD.
ISO9001 ISO14001 ISO80079-34 ISO/TS22163 IATF16949

DEGSON
Heavy Duty Connector

DEGSON ELECTRICAL CO., LTD.
ISO9001 ISO14001 ISO80079-34 ISO/TS22163 IATF16949

DEGSON
EV Charging Cable

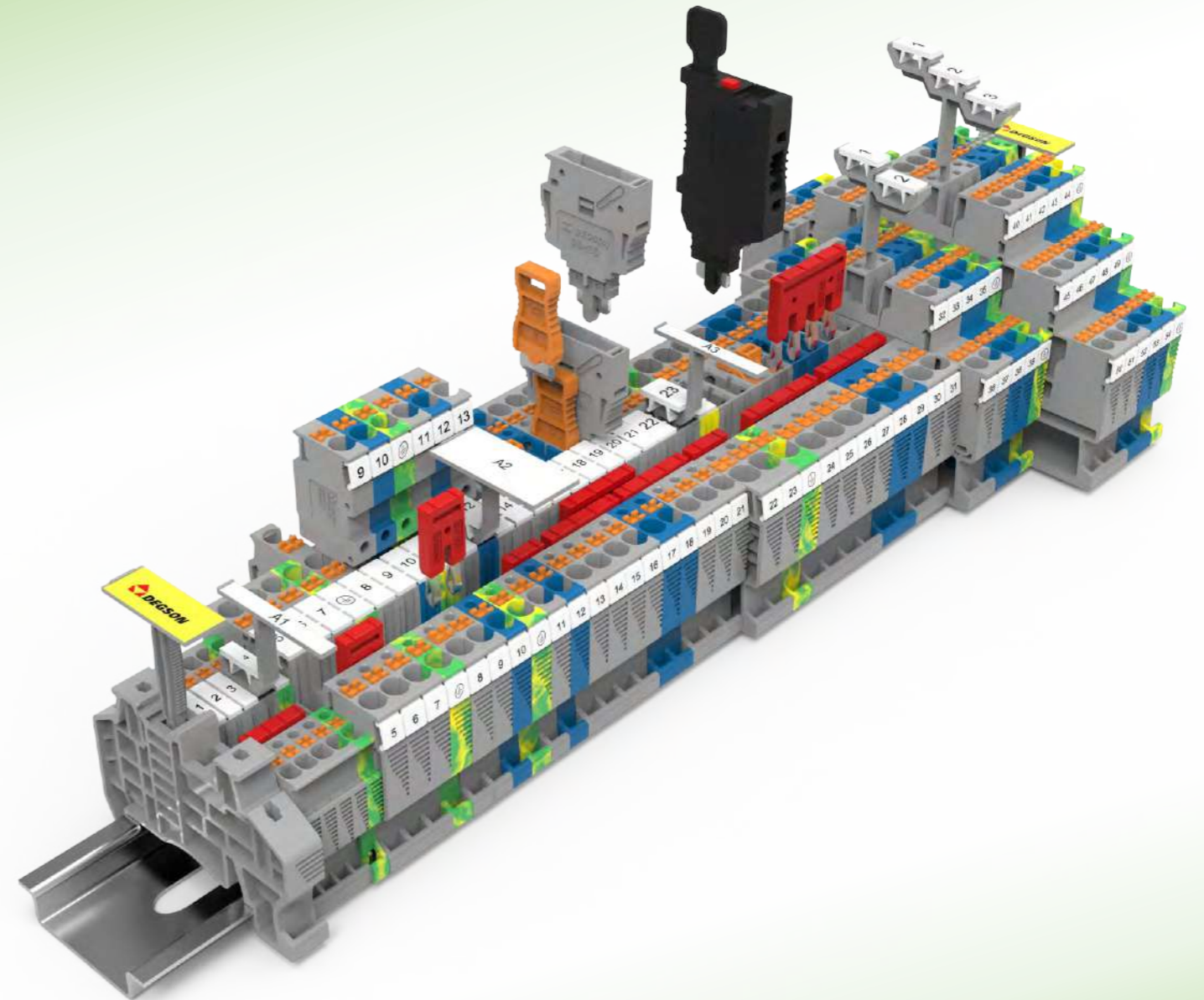
DEGSON TECHNOLOGY CO., LTD.
IATF16949

DEGSON
Electronic Product

DEGSON ELECTRICAL CO., LTD.
ISO9001 ISO14001 ISO80079-34 ISO/TS22163 IATF16949

DEGSON
Customized Product

DEGSON ELECTRICAL CO., LTD.
ISO9001 ISO14001 ISO80079-34 ISO/TS22163 IATF16949



DEGSON
DEGSON ELECTRICAL CO., LTD.

Add: No.1585.Xiaolin Road.Cixi.Ningbo China
P.C.: 315321
www.degson.com
The catalog is for reference purpose only and details are base on company's specifications

Tel: +86-574-63510770
E-mail: sale@degson.com



DR 23-E01

BRIEF INTRODUCTION

01 Founded in 1990, DEGSON is a global solution provider of electrical, electronic and industrial connectors. As a National High-tech enterprise, DEGSON owns the UL and VDE certified laboratory. The company achieved ISO9001, ISO14001, ISO80079-34, ISO/TS22163 and IATF16949 management system certifications.

02 DEGSON is engaged in supplying highly reliable and durable products to serve global customers. The company has a market-leading capability of mould processing, automatic manufacturing and advanced testing. DEGSON has the complete engineering ability to support global customers with the professional customization solution and value-added service.

03 DEGSON products are widely recognized in China, the USA, Germany, the UK, Italy, Spain, Turkey, Japan, South Korea, Singapore, etc. totally hundred countries and regions. DEGSON supply high quality products and provide professional services globally in the industry sectors likely industrial automation, instrument, electric power, railway, marine and offshore, new energy, elevator, lighting, security, machinery, etc. The company won the recognition from partners among Fortune 500 and industry leading enterprises.

04 Based on the business philosophy of "pragmatic innovation, responsibility, integrity, harmonious development, regulation and win-win", DEGSON continuously integrates professional technical resources, R&D innovation, product manufacturing and technology application capabilities. Relying on global sales network, DEGSON aims to supply series of multiple varieties of high-quality products and services. We provide global customers with professional and quick connected application solutions, help customers continue to create value. DEGSON is making contributions to creating a smart and interconnected world.

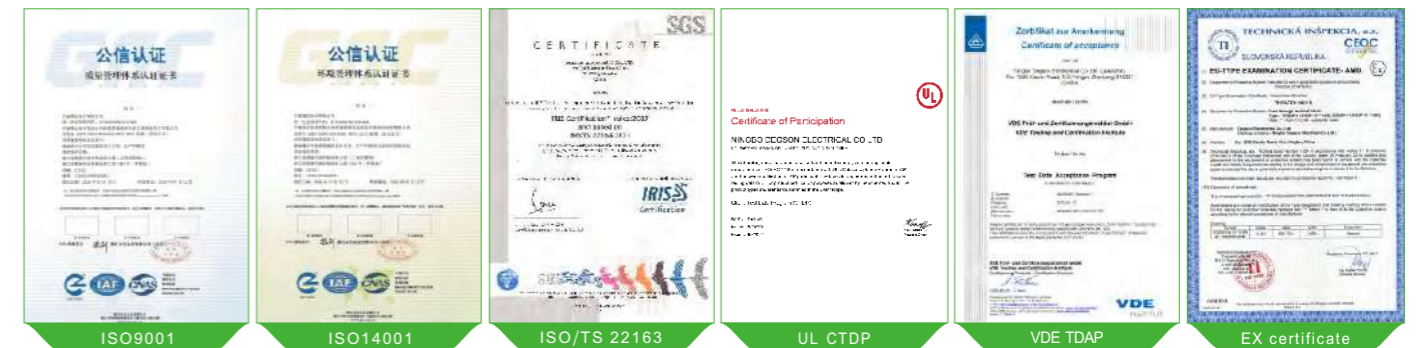


First Lab. authorized by UL&VDE in Asia

Strategic cooperation with UL and VDE



- 1
 - 2
 - 3
- ① The general manager of UL global energy & technology division visit our company
 - ② Sven Ohrke, President of VDE global services, comes to DEGSON to discuss strategic cooperation
 - ③ VDE Laboratory Accreditation: In July 2010, VDE Issued the "VDE Authorized Laboratory" Certificate to DEGSON' s laboratory.
UL laboratory accreditation: UL formally issued "UL WTDP" certification to DEGSON in March 2013. On April, 2016, UL-CTDP. On December, 2016, VDE-TDAP. On January, 2017, Pass IRIS system audit.



Company History



Sales Network

Products have been exported to more than 100 countries and areas in the globe.



CONTENTS

DIN Rail terminal block series

DS Push-in series	01-76
WS Spring-cage series	77-122
STB Spring-cage series	123-132
DC Steel screw series	133-176
PC Brass screw series	177-218
DHV High-voltage screw series	219-226
BS Bolt connection series	227-232

Accessories & marking system

Marking system	233-238
Terminal blocks marker	239-255
Cable marker	256-257
Device marker	258-260
Accessories	261-274

Customized products series

DIN Rail terminal blocks customized products	275-294
Enclosures customized products	295-296
Customization capability	297-302

Testing standard of DIN Rail terminal blocks

Testing standard of DIN Rail terminal blocks	303-332
--	---------

Product Index

DS Push-in series

05-08

DS1.5 Series



09-12

DS1.5 Series



14-17

DS2.5 Series



18-22

DS2.5 Series



24-26

DS4 Series



27-28

DS4 Series



30-32

DS6 Series



34-35

DS10 Series



37-38

DS16 Series



40-41

Fuse Terminal Blocks



43-45

Disconnect Terminal Blocks



46-47

Disconnect Terminal Blocks



49-52

Plug-in terminal blocks



53-56

Plug-in terminal blocks



60-62

DSIO sensor terminal blocks and actuator terminal blocks



64-66

Component terminal blocks



69

Side incoming terminal blocks



71-74

Inclined incoming terminal blocks



76

High voltage terminal blocks

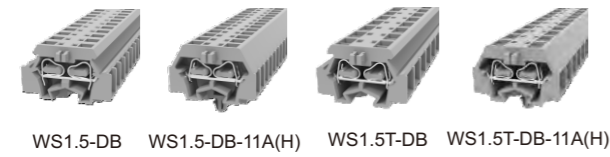


WS Spring-cage series

81-84 WS1.5 Series



85-86 WS1.5 Series



88-90 WS2.5 Series



91-94 WS2.5 Series



95-96 WS2.5 Series



98-102 WS4 Series



104-105 WS6 Series



107-108 WS10 Series



110-111 WS16 Series



113 WS35 Series



115 Inclined Feed-through Terminal Blocks



117-119 Fuse Terminal Blocks



121 Component Terminal Blocks



STB Spring-cage series

126-128 STB2.5 Series



129-130 STB2.5 Series



131-132 STB6 Series



DC Steel screw series

137-139 DC2.5 Series							
	DC2.5	DC2.5-PE	DC2.5-TW	DC2.5-TW-PE			
141-143 DC2.5 Series							
	DC2.5-QU	DC2.5-QU-PE	DCKKB2.5	DCKKB2.5-PV	DCKKB2.5-PE		
147-150 DC4 Series							
	DC4	DC4-PE	DC4-TW	DC4-TW-PE	DC4-QU	DC4-QU-PE	
151-152 DC4 Series							
	DCKKB4	DCKKB4-PV	DCKKB4-PE				
156 DC6 Series							
	DC6	DC6-PE					
158-162 DC10 Series							
	DC10	DC10-PE	DC10-TW	DC10-TW-PE	DCKKB10	DCKKB10-PV	DCKKB10-PE
164-166 DC16 Series DC35 Series							
	DC16	DC16-PE	DC35	DC35-PE			
167-169 DC50 Series DC95 Series							
	DC50	DC50-PE	DC95	DC95-PE			
171-172 Fuse Terminal Blocks							
	DC4-HE	DC4-HE-LD24	DC4-HE-LD60	DC4-HE-LD250			
174-176 Disconnect Terminal Blocks/ Test Disconnect Terminal Block							
	DC4-MT	DC4-TG	DCTK6	DCTK6 N			

PC Brass screw series

181 PC1.5 Series								
	PC1.5							
183-187 PC2.5 Series								
	PC2.5	PC2.5-PE	PC2.5-TW	PC2.5-TW-PE	PCDK2.5	PCDK2.5-PE	PCKK2.5	PCKK2.5-PV
189-192 PC4 Series								
	PC4	PC4-PE	PC4-TW	PC4-TW-PE	PCDK4	PCDK4-PE	PCKK4	PCKK4-PE
194-196 PC6 Series PC10 Series								
	PC6	PC6-PE	PC10	PC10-PE				
198-202 PC16 Series PC35 Series								
	PC16	PC16-PE	PC35	PC35-PE				
204-207 PC50 Series PC95 Series								
	PC50	PC50-PE	PC95	PC95-PE				
209-21 Micro And Miniature Terminal Blocks								
	PCMB2.5	PCMB4						
212-213 Fuse Terminal Blocks								
	PC4-HE	PC10-DR						
215-216 Disconnect Terminal Blocks								
	PCMT2.5	PCMT4						
218 Test Disconnect Terminal Block								
	PCTK6	PCTK6-BEN						

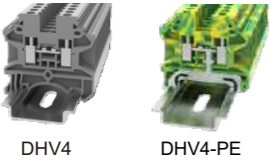
DHV High-voltage screw series

221
DHV2.5 Series



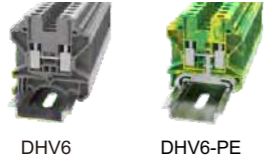
DHV2.5 DHV2.5-PE

222
DHV4 Series



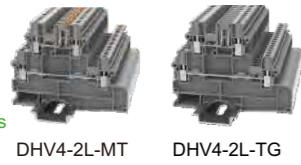
DHV4 DHV4-PE

223
DHV6 Series



DHV6 DHV6-PE

224
Disconnect Terminal Blocks



DHV4-2L-MT DHV4-2L-TG

225-226
Fuse Terminal Blocks



DHV4-2L-HE DHV4-2L-HE-LD24 DHV4-2L-HE-LD60 DHV4-2L-HE-LD250

BS Bolt connection series

229
BS6 Series



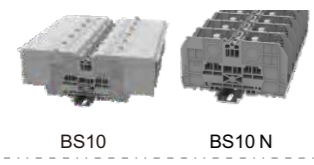
BS6 BS6 N

230
BS8 Series



BS8 BS8 N

231
BS10 Series



BS10 BS10 N

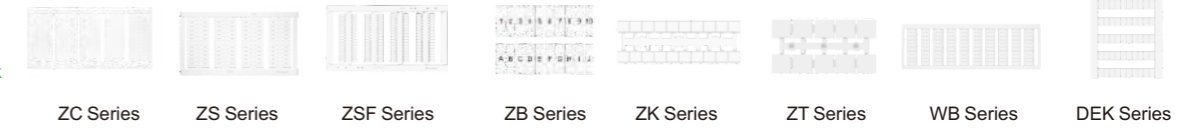
Accessories & marking system

236-238
Marking system



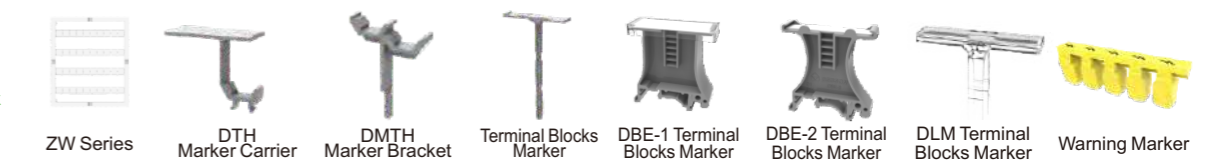
The Vario plotter PTT thermal transfer printer Laser Printer

240-249
Terminal block markers



ZC Series ZS Series ZSF Series ZB Series ZK Series ZT Series WB Series DEK Series

250-255
Terminal block markers



ZW Series DTH Marker Carrier DMTH Marker Bracket Terminal Blocks Marker DBE-1 Terminal Blocks Marker DBE-2 Terminal Blocks Marker DLM Terminal Blocks Marker Warning Marker

257
Cable markers



Mark Sleeves Heat Shrinkable Sleeves Wire-wrap Label

259-260
Device markers



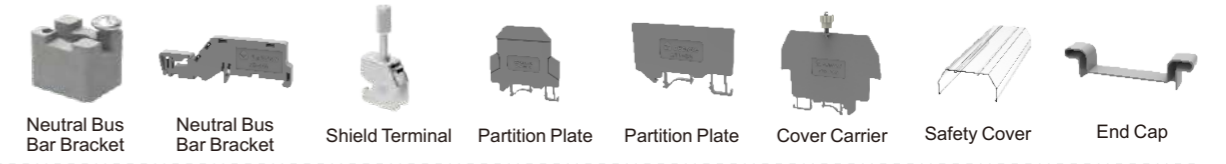
Self-adhesive device markers for buttons DML Self-adhesive device markers Self-adhesive PVC device markers, High flexibility Self-adhesive device marking, high temperature

262-267
Accessories



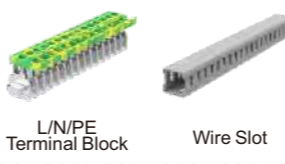
DIN rail NS15, short type DIN rail NS35, short type Single Conductor Ferrule Twin Conductor Ferrule Snap-in End Stopper Neutral Bus Bar

268-270
Accessories



Neutral Bus Bar Bracket Neutral Bus Bar Bracket Shield Terminal Partition Plate Partition Plate Cover Carrier Safety Cover End Cap

271-272
Accessories



L/N/PE Terminal Block Wire Slot

273-274
Accessories



Top Cutting Pliers Wire Stripper Cable Stripper Crimping Pliers Wire Cut Ethylene Scissors

Customized products series

278

Drawer Terminal Block



DS2.5PH-16P DS2.5PH-24P

279-281

WS1.5 Series
WS4 Series



WS1.5-SD WS2.5-SD WS2.5-SD-PE WS2.5-DIN35 WS4-SD

282-283

WS6 Series
WS10 Series



WS6-SD WS6-SD-PE WS10-SD WS10-SD-PE

284

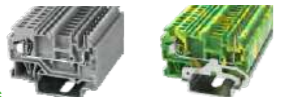
WS16 Series



WS16-SD WS16-SD-PE

285

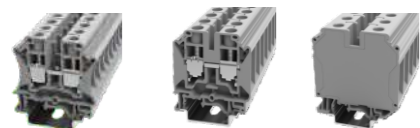
WS2.5P Series



WS2.5P WS2.5P-PE

286-287

PC10 Series
PC16 Series
PC35 Series



PC10-105A(H) PC16-105A(H) PC35-105A(H)

288-291

DC2.5 Series
DC4 Series
DC6 Series
DC16 Series



DC2.5-CU DC2.5-PE-CU DC4-CU DC4-CU-PE DC6-CU DC6-PE-CU DC16-CU-200A(H) DC16-PE-CU-200A(H)

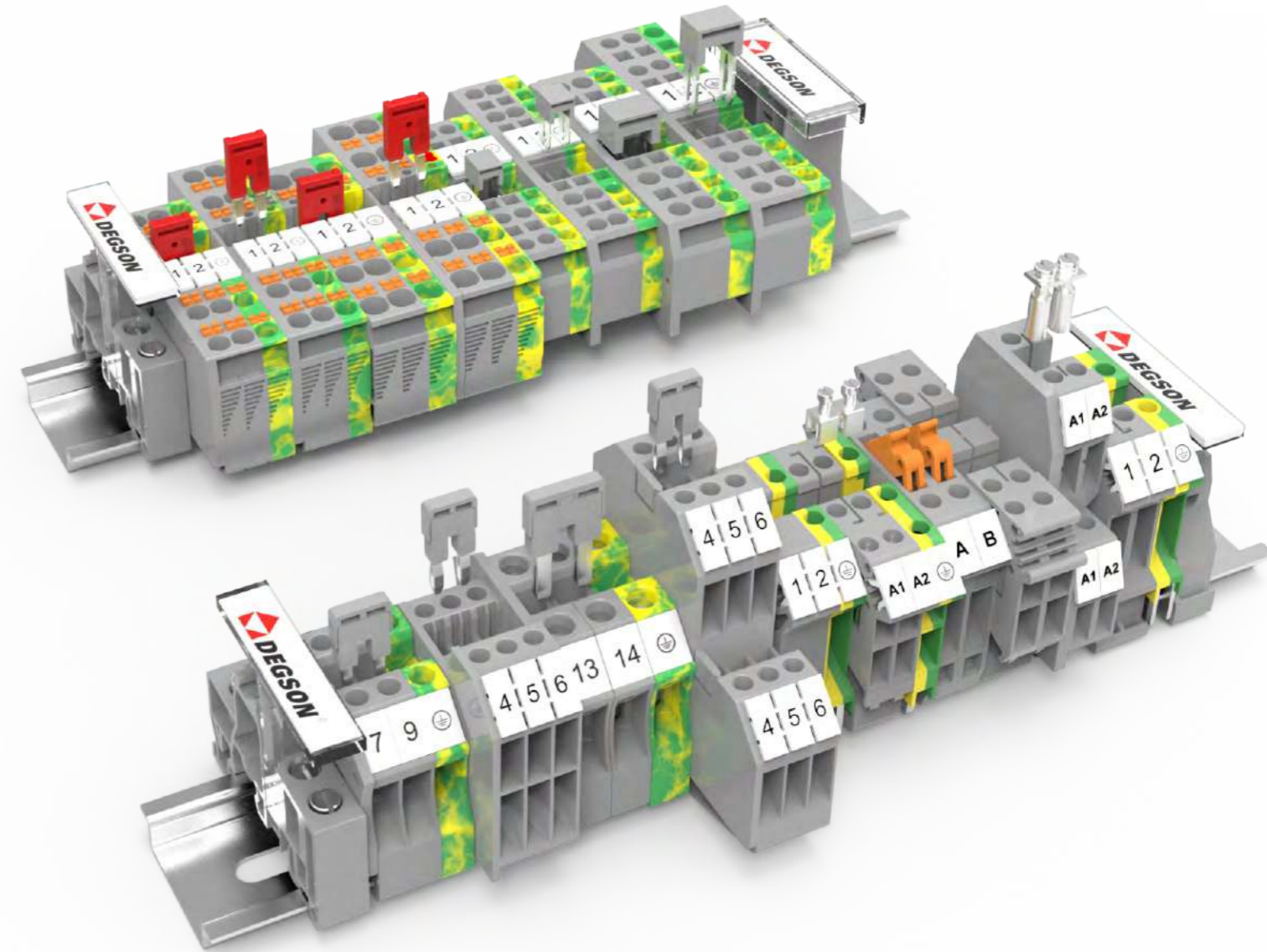
292-294

DSS2.5 Series



DSS2.5-3L-01A(H) DSS2.5-3L-PV-01A(H) DSS2.5-3L-PE-01A(H) DSS2.5-3L-L/L/PE-01A(H) DSS2.5-3L-L/N/PE-01A(H)

DIN Rail Terminal Blocks



HOW TO ORDER

DS1.5 — 0 1 P — 1 1 — 0 0 A(H)

Series No .

No. of Pole

1 Single pitch
2 Double pitch

Color

- 1 Grey
- 2 Blue
- 3 Black
- 4 Green
- 5 Orange
- 6 Red
- 7 Transparent
- 8 Yellow
- 9 White
- C Yellow Green
- Mixed Color

EG:



DS2.5-01P-11-00A(H)

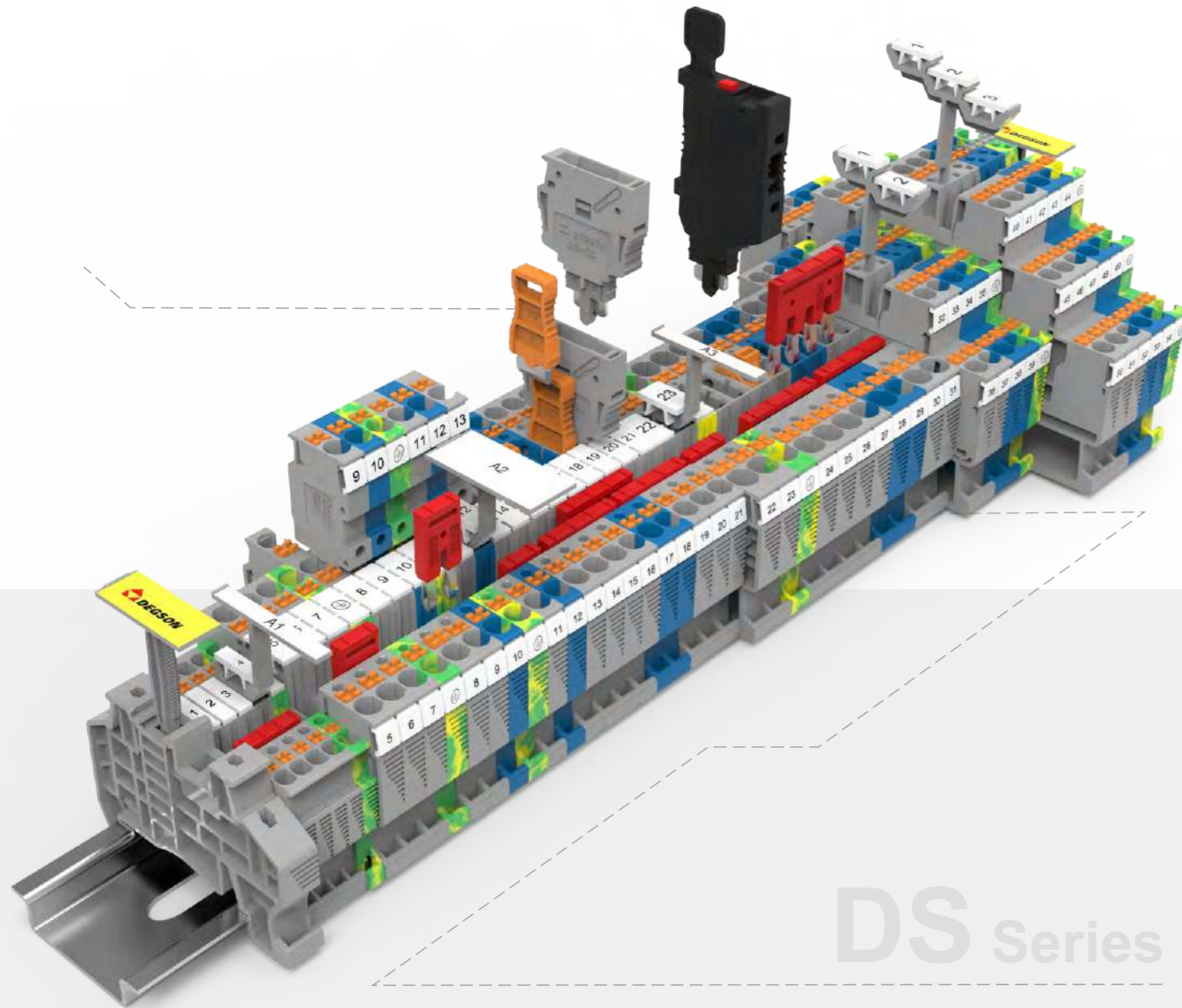


WS2.5-01P-11-00A(H)

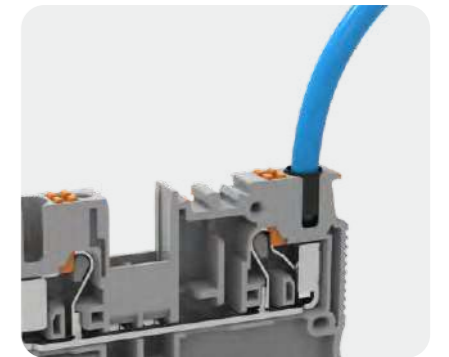
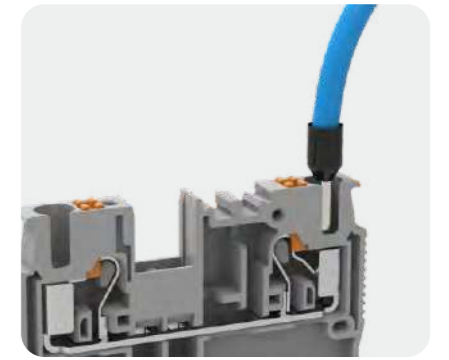
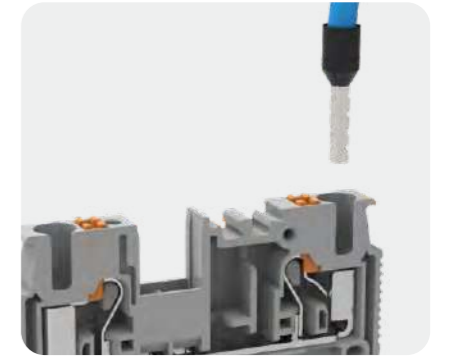
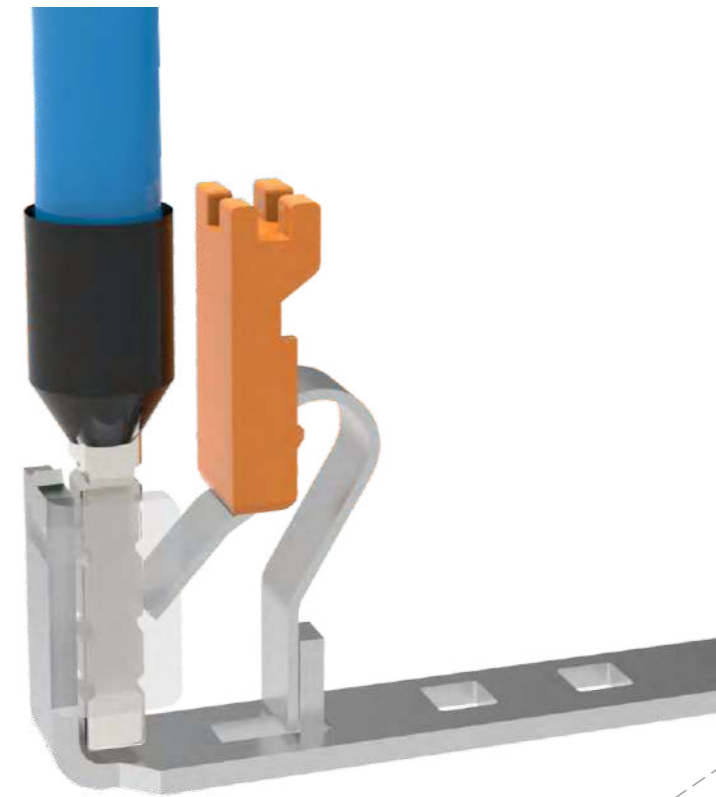
DS-Push-in Connection Terminal Blocks

Feature

- Adopt Push-in connection technology, no tools for wiring, high efficiency and quick connection
- Double channel bridge position, easy to realize potential distribution
- Standardized test hole, convenient and fast circuit test
- Pluggable bridges and rich accessory systems perfectly solve the application needs of the user end



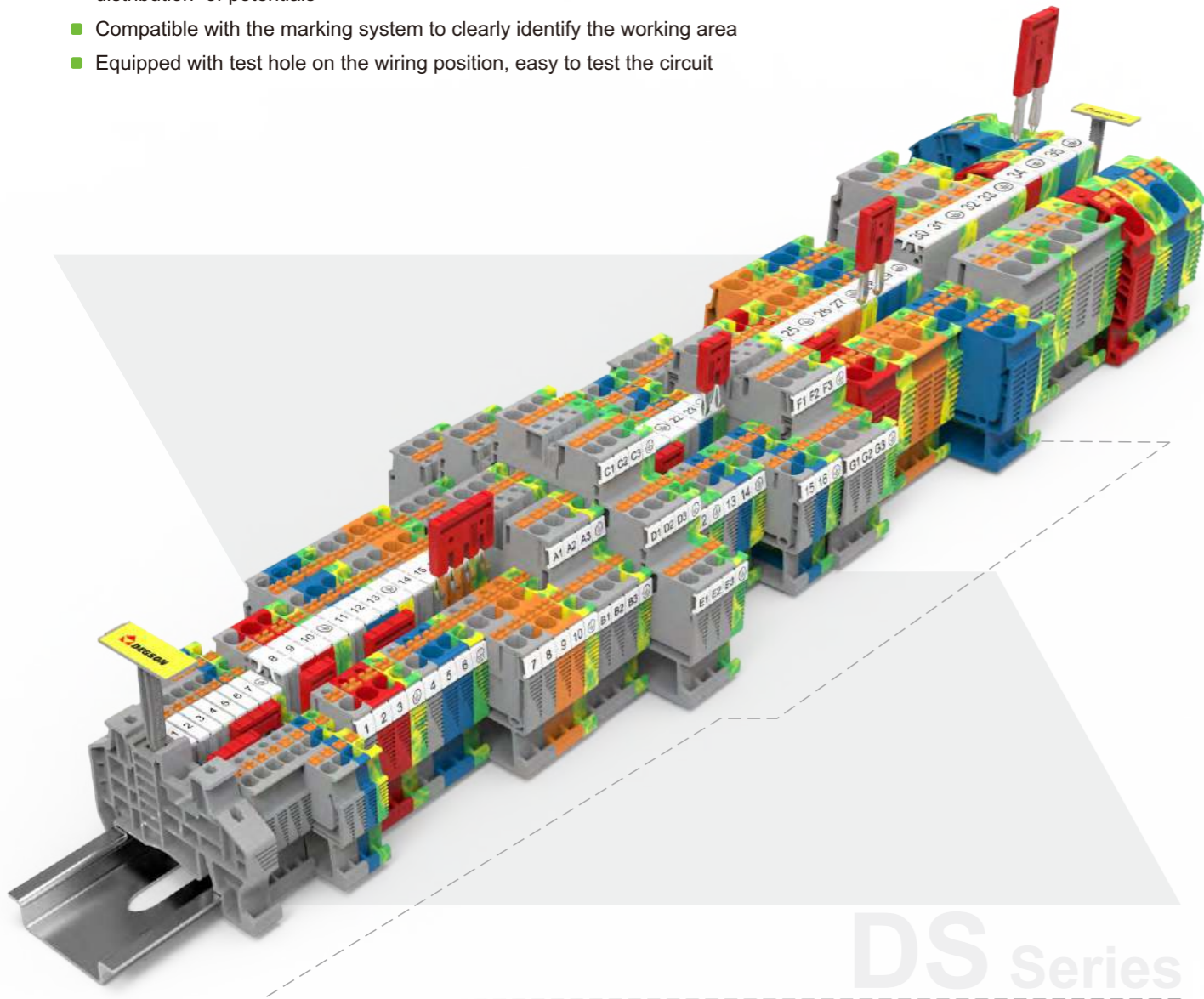
DS Series



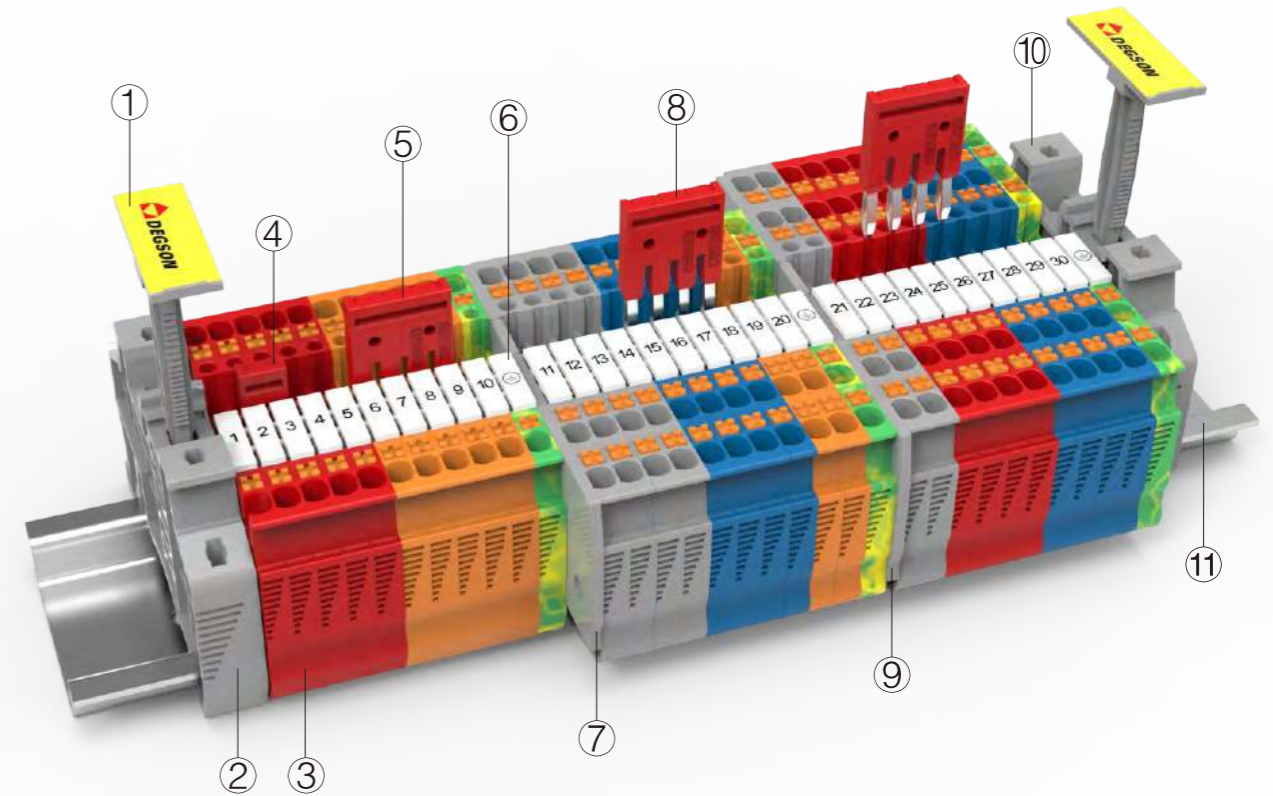
DS Push-in connection terminal blocks, its stainless steel spring ensures excellent resilience and anti-seismic performance. Even if repeated operation, it can still ensure connection reliability. High-precision copper alloy conductors provide the lowest temperature rise, ensuring reliable and safe connections. PA66 plastic parts can meet the working environment of -40°C to 105°C. The convenient and fast Push-in connection technology can allow the rigid wire and the multi strand flexible wire with cold pressing terminal to be directly inserted without tools, thus minimizing the labor time and labor cost. At the same time, rich functional product solutions can easily realize short-circuit / overload protection, short-circuit test, plug-in and other application requirements.

DS Feed-through Terminal Blocks

- DS Feed-through DIN Rail terminal blocks can reach tool free wiring with the Push-in connection technology; Easy to remove the cable by push the orange button
- Multi-deck terminal block, space saving, three-deck with ground protective terminal block, suitable for motor connection
- Double-channel bridging design and 2-20 poles bridges reach the flexible distribution of potentials
- Compatible with the marking system to clearly identify the working area
- Equipped with test hole on the wiring position, easy to test the circuit



DS Series



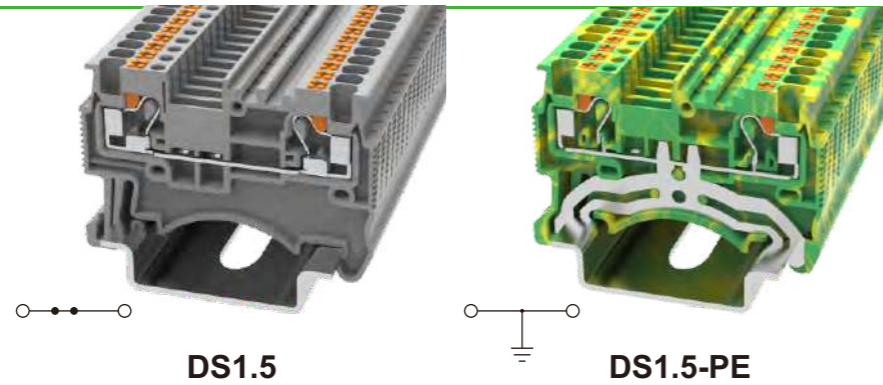
Description	Part No.	Remark
① Marker carrier	KLM3-20x8-11-00A(H)	Suitable for E-PC-1100A(H) & E-WS N
② End Clamp	E-WS N-01P-11-00A(H)	Fixing products on NS35 DIN rail
③ Terminal blocks	DS1.5-01P-11-00A(H)	Push-in type 1.5mm ² DIN Rail terminal blocks
④ Pluggable bridges	DFB2-3.5-16-00A(H)	02P bridge, use for DS1.5 series
⑤ Pluggable bridges	DFB4-3.5-16-00A(H)	04P bridge, use for DS1.5 series
⑥ Marker	ZB3.5-10P-19-00A(H)	Marker is used for the top of DS1.5 series
⑦ End cover	D-DS1.5-TW-01P-11-00A(H)	End cover is used for DS1.5-TW&DS1.5-TW-PE
⑧ Pluggable bridges	DFB4-3.5-16-00A(H)	04P bridge, use for DS1.5 series
⑨ End cover	D-DS1.5-QU-01P-11-00A(H)	End cover is used for DS1.5-QU&DS1.5-QU-PE
⑩ End Clamp	E-WS N-01P-11-00A(H)	Fixing products on NS35 DIN rail
⑪ DIN rail	NS35/7.5-0150-00A(H)	NS35 DIN rail

Circuit diagram

	○ Connection point for wiring		Fuse connection		Disconnecting
	• Connection point for bridging		Resistance connection		Circuit connection point
	LED light connection		Grounding connection		Diode connection

Push-in connection technology

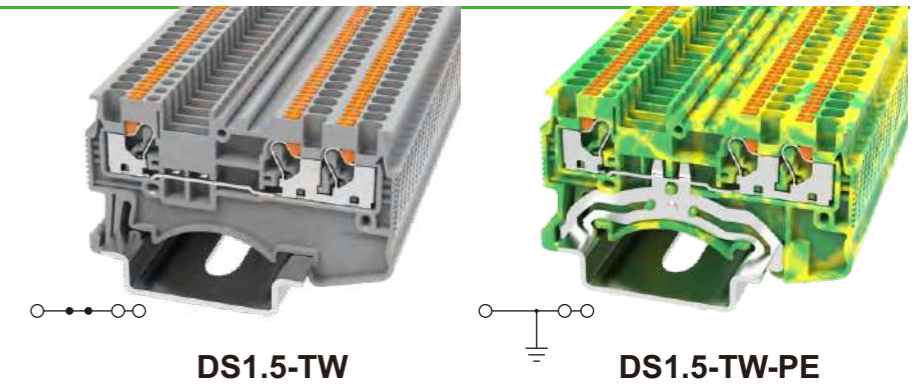
Feed-through, multi-conductor and ground terminal blocks



Order NO.	11040000010				11040000018			
Width/Length/Height(NS35/7.5&NS35/15)	mm 3.5/45/32.1(39.6)				mm 3.5/45/32.1(39.6)			
Electrical Data	IEC IEC60947-7-1		UL UL1059		IEC IEC60947-7-2		UL UL1059	
Rated voltage	V 500		300		/		/	
Rated current	A 17.5		15		/		/	
Rated cross section	mm ² /AWG 0.14-1.5		26-14		0.14-1.5		26-14	
Connection capacity	Solid	Stranded	Ferrule (with and without plastic sleeve)		Solid	Stranded	Ferrule (with and without plastic sleeve)	
1 conductor	mm ² 0.14-1.5	0.14-1.5	0.15-1.5	0.14-0.5	0.14-1.5	0.14-1.5	0.15-1.5	0.14-0.5
2 flexible conductors with a TWIN ferrule	mm ² -	-	-	-	-	-	-	-
General Information								
Insulation material/Flammability rating (according to UL 94)	PA/V0				PA/V0			
Operation temperatures	°C (°F) -40(-40)~105(221)				-40(-40)~105(221)			
Stripping length	mm 8-9				8-9			
Color	Grey, Red, Blue (please contact sales for other color requirements)				Yellow green mixed color			
Accessories								
Ferrule	/				/			
Slotted screwdriver size (Blade thickness x Width)	mm 0.4x2.5				0.4x2.5			
Bridge (2-10P, 20P)	 DFB2-3.5 DFB3-3.5 DFB4-3.5 DFB5-3.5 DFB6-3.5 DFB7-3.5 DFB8-3.5 DFB9-3.5 DFB10-3.5 DFB20-3.5				/			
End cover	 D-DS1.5				D-DS1.5			
Partition plate	 ATP-DS / ATP-PC N				ATP-DS / ATP-PC N			
Cover profile	 AP3-COVER / AP3-T / AP3-T-KS				AP3-COVER / AP3-T / AP3-T-KS			
Top marker	 ZB3.5 / ZS3.5				ZB3.5 / ZS3.5			
Side marker	 ZSF3.5				ZSF3.5			
Marker support	 DTH3.5-25x3.5 / DTH3.5-25x12				DTH3.5-25x3.5 / DTH3.5-25x12			
Terminal strip marker support	 DLM2 / KLM3-20x8 / KLM3-44x8				DLM2 / KLM3-20x8 / KLM3-44x8			
End clamp	 E-PC 1100A / E-WS N				E-PC 1100A / E-WS N			
End cap	 NS35/7.5-CAP NS35/15-CAP				NS35/7.5-CAP NS35/15-CAP			

Push-in connection technology

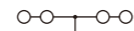
Feed-through, multi-conductor and ground terminal blocks



Order NO.	11040000077				11040000097			
Width/Length/Height(NS35/7.5&NS35/15)	mm 3.5/54/32.1(39.6)				mm 3.5/54/32.1(39.6)			
Electrical Data	IEC IEC60947-7-1		UL UL1059		IEC IEC60947-7-2		UL UL1059	
Rated voltage	V 500		300		/		/	
Rated current	A 17.5		15		/		/	
Rated cross section	mm ² /AWG 0.14-1.5		26-14		0.14-1.5		26-14	
Connection capacity	Solid	Stranded	Ferrule (with and without plastic sleeve)		Solid	Stranded	Ferrule (with and without plastic sleeve)	
1 conductor	mm ² 0.14-1.5	0.14-1.5	0.14-1.5	0.14-0.5	0.14-1.5	0.14-1.5	0.14-1.5	0.14-0.5
2 flexible conductors with a TWIN ferrule	mm ² -	-	-	-	-	-	-	-
General Information								
Insulation material/Flammability rating (according to UL 94)	PA/V0				PA/V0			
Operation temperatures	°C (°F) -40(-40)~105(221)				-40(-40)~105(221)			
Stripping length	mm 8-10				8-10			
Color	Grey, Red, Blue (please contact sales for other color requirements)				Yellow green mixed color			
Accessories								
Ferrule	/				/			
Slotted screwdriver size (Blade thickness x Width)	mm 0.4x2.5				0.4x2.5			
Bridge (2-10P, 20P)	 DFB2-3.5 DFB3-3.5 DFB4-3.5 DFB5-3.5 DFB6-3.5 DFB7-3.5 DFB8-3.5 DFB9-3.5 DFB10-3.5 DFB20-3.5				/			
End cover	 D-DS1.5-TW				D-DS1.5-TW			
Partition plate	 ATP-DS / ATP-PC N				ATP-DS / ATP-PC N			
Cover profile	 AP3-COVER / AP3-T / AP3-T-KS				AP3-COVER / AP3-T / AP3-T-KS			
Top marker	 ZB3.5 / ZS3.5				ZB3.5 / ZS3.5			
Side marker	 ZSF3.5				ZSF3.5			
Marker support	 DTH3.5-25x3.5 / DTH3.5-25x12				DTH3.5-25x3.5 / DTH3.5-25x12			
Terminal strip marker support	 DLM2 / KLM3-20x8 / KLM3-44x8				DLM2 / KLM3-20x8 / KLM3-44x8			
End clamp	 E-PC 1100A / E-WS N				E-PC 1100A / E-WS N			
End cap	 NS35/7.5-CAP NS35/15-CAP				NS35/7.5-CAP NS35/15-CAP			

Push-in connection technology

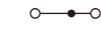
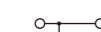
Feed-through, multi-conductor and ground terminal blocks


DS1.5-QU

DS1.5-QU-PE

Order NO.	11040000075				11040000076			
Width/Length/Height(NS35/7.5&NS35/15)	mm 3.5/63.2/32.1(39.6)				mm 3.5/63.2/32.1(39.6)			
Electrical Data	IEC IEC60947-7-1		UL UL1059		IEC IEC60947-7-2		UL UL1059	
Rated voltage	V 500		300		/		/	
Rated current	A 17.5		15		/		/	
Rated cross section	mm ² /AWG 0.14-1.5		26-14		0.14-1.5		26-14	
Connection capacity	Solid	Stranded	Ferrule (with and without plastic sleeve)		Solid	Stranded	Ferrule (with and without plastic sleeve)	
1 conductor	mm ² 0.14-1.5	0.14-1.5	0.14-1.5	0.14-0.5	0.14-1.5	0.14-1.5	0.14-1.5	0.14-0.5
2 flexible conductors with a TWIN ferrule	mm ² -	-	-	-	-	-	-	-
General Information								
Insulation material/Flammability rating (according to UL 94)	PA/V0				PA/V0			
Operation temperatures	°C (°F) -40(-40)~105(221)				-40(-40)~105(221)			
Stripping length	mm 8-10				8-10			
Color	Grey, Red, Blue (please contact sales for other color requirements)				Yellow green mixed color			
Accessories								
Ferrule	/				/			
Slotted screwdriver size (Blade thickness x Width)	mm 0.4x2.5				0.4x2.5			
Bridge (2-10P, 20P)	DFB2-3.5 DFB3-3.5 DFB4-3.5 DFB5-3.5 DFB6-3.5 DFB7-3.5 DFB8-3.5 DFB9-3.5 DFB10-3.5 DFB20-3.5				/			
End cover	D-DS1.5-QU				D-DS1.5-QU			
Partition plate	ATP-DS / ATP-PC N				ATP-DS / ATP-PC N			
Cover profile	AP3-COVER / AP3-T / AP3-T-KS				AP3-COVER / AP3-T / AP3-T-KS			
Top marker	ZB3.5 / ZS3.5				ZB3.5 / ZS3.5			
Side marker	ZSF3.5				ZSF3.5			
Marker support	DTH3.5-25x3.5 / DTH3.5-25x12				DTH3.5-25x3.5 / DTH3.5-25x12			
Terminal strip marker support	DLM2 / KLM3-20x8 / KLM3-44x8				DLM2 / KLM3-20x8 / KLM3-44x8			
End clamp	E-PC 1100A / E-WS N				E-PC 1100A / E-WS N			
End cap	NS35/7.5-CAP NS35/15-CAP				NS35/7.5-CAP NS35/15-CAP			

Push-in connection technology

Feed-through, multi-conductor and ground terminal blocks


DSKK1.5

DSKK1.5-PV

Order NO.	11040000196				11040000197			
Width/Length/Height(NS35/7.5&NS35/15)	mm 3.5/68.2/44.1(51.6)				mm 3.5/68.2/44.1(51.6)			
Electrical Data	IEC IEC60947-7-1		UL UL1059		IEC IEC60947-7-1		UL UL1059	
Rated voltage	V 500		300		500		300	
Rated current	A 16		15		16		15	
Rated cross section	mm ² /AWG 0.14-1.5		26-16		0.14-1.5		26-16	
Connection capacity	Solid	Stranded	Ferrule (with and without plastic sleeve)		Solid	Stranded	Ferrule (with and without plastic sleeve)	
1 conductor	mm ² 0.14-1.5	0.14-1.5	0.15-1.5	0.14-0.5	0.14-1.5	0.14-1.5	0.15-1.5	0.14-0.5
2 flexible conductors with a TWIN ferrule	mm ² -	-	-	-	-	-	-	-
General Information								
Insulation material/Flammability rating (according to UL 94)	PA/V0				PA/V0			
Operation temperatures	°C (°F) -40(-40)~105(221)				-40(-40)~105(221)			
Stripping length	mm 8-10				8-10			
Color	Grey, Red, Blue (please contact sales for other color requirements)				Grey, Red, Blue (please contact sales for other color requirements)			
Accessories								
Ferrule	/				/			
Slotted screwdriver size (Blade thickness x Width)	mm 0.4x2.5				0.4x2.5			
Bridge (2-10P, 20P)	DFB2-3.5 DFB3-3.5 DFB4-3.5 DFB5-3.5 DFB6-3.5 DFB7-3.5 DFB8-3.5 DFB9-3.5 DFB10-3.5 DFB20-3.5				DFB2-3.5 DFB3-3.5 DFB4-3.5 DFB5-3.5 DFB6-3.5 DFB7-3.5 DFB8-3.5 DFB9-3.5 DFB10-3.5 DFB20-3.5			
End cover	D-DSKK1.5				D-DSKK1.5			
Partition plate	ATP-DS / ATP-PC N				ATP-DS / ATP-PC N			
Cover profile	AP3-COVER / AP3-T / AP3-T-KS				AP3-COVER / AP3-T / AP3-T-KS			
Top marker	/				/			
Side marker	ZSF3.5				ZSF3.5			
Marker support	/				/			
Terminal strip marker support	DLM2 / KLM3-20x8 / KLM3-44x8				DLM2 / KLM3-20x8 / KLM3-44x8			
End clamp	E-PC 1100A / E-WS N				E-PC 1100A / E-WS N			
End cap	NS35/7.5-CAP NS35/15-CAP				NS35/7.5-CAP NS35/15-CAP			

Push-in connection technology

Feed-through, multi-conductor and ground terminal blocks



CE ENEC RoHS REACH

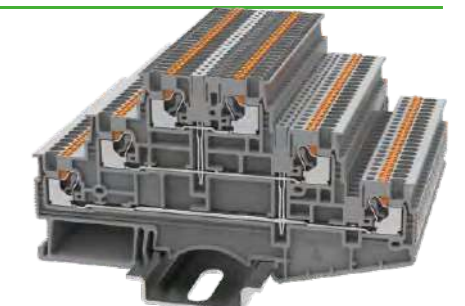
Order NO.	11040000195			
Width/Length/Height(NS35/7.5&NS35/15) mm	3.5/68.2/44.1(51.6)			
Electrical Data	IEC IEC60947-7-2	UL UL1059		
Rated voltage V	/	/		
Rated current A	/	/		
Rated cross section mm ² /AWG	0.14-1.5	26-16		
Connection capacity	Solid	Stranded	Ferrule (with and without plastic sleeve)	
1 conductor mm ²	0.14-1.5	0.14-1.5	0.15-1.5	0.14-0.5
2 flexible conductors with a TWIN ferrule mm ²	—	—	—	—
General Information				
Insulation material/Flammability rating (according to UL 94)	PA/V0			
Operation temperatures °C (°F)	-40(-40)~105(221)			
Stripping length mm	8-10			
Color	Yellow green mixed color			
Accessories				
Ferrule	/			
Slotted screwdriver size (Blade thickness x Width) mm	0.4x2.5			
Bridge (2-10P, 20P)	DFB2-3.5 DFB7-3.5	DFB3-3.5 DFB8-3.5	DFB4-3.5 DFB9-3.5	DFB5-3.5 DFB10-3.5
End cover	D-DSKK1.5			
Partition plate	ATP-DS / ATP-PC N			
Cover profile	AP3-COVER / AP3-T / AP3-T-KS			
Top marker	/			
Side marker	ZSF3.5			
Marker support	/			
Terminal strip marker support	DLM2 / KLM3-20x8 / KLM3-44x8			
End clamp	E-PC 1100A / E-WS N			
End cap	NS35/7.5-CAP NS35/15-CAP			

Push-in connection technology

Feed-through, multi-conductor and ground terminal blocks



CE ENEC RoHS REACH

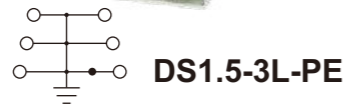
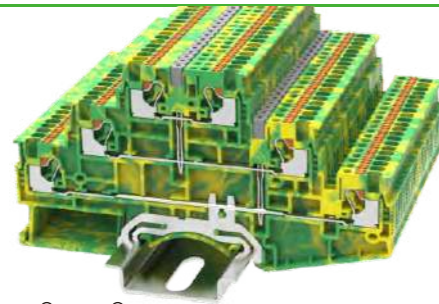


CE ENEC RoHS REACH

Order NO.	11040000208				11040000210			
Width/Length/Height(NS35/7.5&NS35/15) mm	3.5/102/56.1(63.6)				3.5/102/56.1(63.6)			
Electrical Data	IEC IEC60947-7-1	UL UL1059		IEC IEC60947-7-1	UL UL1059			
Rated voltage V	500	300		500	300			
Rated current A	15	15		15	15			
Rated cross section mm ² /AWG	0.14-1.5	26-16		0.14-1.5	26-16			
Connection capacity	Solid	Stranded	Ferrule (with and without plastic sleeve)		Solid	Stranded	Ferrule (with and without plastic sleeve)	
1 conductor mm ²	0.14-1.5	0.14-1.5	0.15-1.5	0.14-0.5	0.14-1.5	0.14-1.5	0.15-1.5	0.14-0.5
2 flexible conductors with a TWIN ferrule mm ²	—	—	—	—	—	—	—	—
General Information								
Insulation material/Flammability rating (according to UL 94)	PA/V0				PA/V0			
Operation temperatures °C (°F)	-40(-40)~105(221)				-40(-40)~105(221)			
Stripping length mm	8-10				8-10			
Color	Grey, Red, Blue (please contact sales for other color requirements)				Grey, Red, Blue (please contact sales for other color requirements)			
Accessories								
Ferrule	/				/			
Slotted screwdriver size (Blade thickness x Width) mm	0.4x2.5				0.4x2.5			
Bridge (2-10P, 20P)	DFB2-3.5 DFB7-3.5	DFB3-3.5 DFB8-3.5	DFB4-3.5 DFB9-3.5	DFB5-3.5 DFB10-3.5	DFB2-3.5 DFB7-3.5	DFB3-3.5 DFB8-3.5	DFB4-3.5 DFB9-3.5	DFB5-3.5 DFB10-3.5
End cover	D-DS1.5-3L				D-DS1.5-3L			
Partition plate	ATP-DS / ATP-PC N				ATP-DS / ATP-PC N			
Cover profile	AP3-COVER / AP3-T / AP3-T-KS				AP3-COVER / AP3-T / AP3-T-KS			
Top marker	/				/			
Side marker	ZSF3.5				ZSF3.5			
Marker support	/				/			
Terminal strip marker support	DLM2 / KLM3-20x8 / KLM3-44x8				DLM2 / KLM3-20x8 / KLM3-44x8			
End clamp	E-PC 1100A / E-WS N				E-PC 1100A / E-WS N			
End cap	NS35/7.5-CAP NS35/15-CAP				NS35/7.5-CAP NS35/15-CAP			

Push-in connection technology

Feed-through, multi-conductor and ground terminal blocks

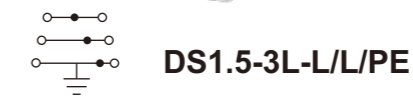

DS1.5-3L-PE

CE ENEC RoHS REACH

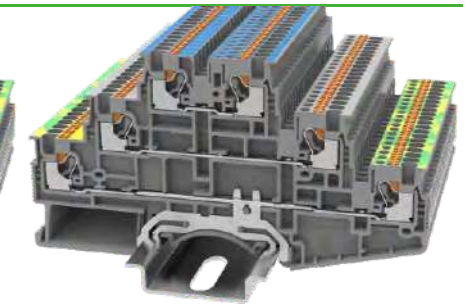
Order NO.	11040000209			
Width/Length/Height(NS35/7.5&NS35/15) mm	3.5/102/56.1(63.6)			
Electrical Data	IEC IEC60947-7-2	UL UL1059		
Rated voltage V	/	/		
Rated current A	/	/		
Rated cross section mm ² /AWG	0.14-1.5	26-16		
Connection capacity	Solid	Stranded	Ferrule (with and without plastic sleeve)	
1 conductor mm ²	0.14-1.5	0.14-1.5	0.15-1.5	0.14-0.5
2 flexible conductors with a TWIN ferrule mm ²	—	—	—	—
General Information				
Insulation material/Flammability rating (according to UL 94)	PA/V0			
Operation temperatures °C (°F)	-40(-40)~105(221)			
Stripping length mm	8-10			
Color	Yellow green mixed color			
Accessories				
Ferrule	/			
Slotted screwdriver size (Blade thickness x Width) mm	0.4x2.5			
Bridge (2-10P, 20P)	DFB2-3.5 DFB3-3.5 DFB4-3.5 DFB5-3.5 DFB6-3.5 DFB7-3.5 DFB8-3.5 DFB9-3.5 DFB10-3.5 DFB20-3.5			
End cover	D-DS1.5-3L			
Partition plate	ATP-DS / ATP-PC N			
Cover profile	AP3-COVER / AP3-T / AP3-T-KS			
Top marker	/			
Side marker	ZSF3.5			
Marker support	/			
Terminal strip marker support	DLM2 / KLM3-20x8 / KLM3-44x8			
End clamp	E-PC 1100A / E-WS N			
End cap	NS35/7.5-CAP NS35/15-CAP			

Push-in connection technology

Feed-through, multi-conductor and ground terminal blocks

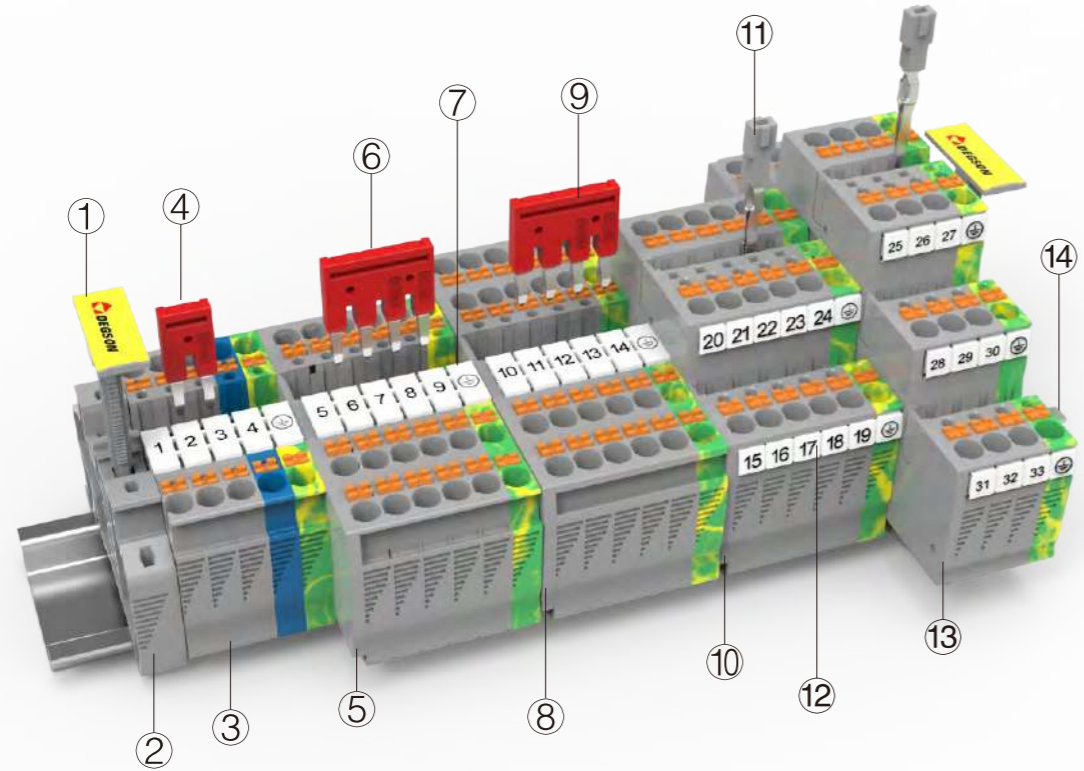

DS1.5-3L-L/L/PE

CE ENEC RoHS REACH


DS1.5-3L-L/N/PE

CE ENEC RoHS REACH

Order NO.	11040000220				11040000221			
Width/Length/Height(NS35/7.5&NS35/15) mm	3.5/102/56.1(63.6)				3.5/102/56.1(63.6)			
Electrical Data	IEC IEC60947-7-1	UL UL1059		IEC IEC60947-7-1	UL UL1059			
Rated voltage V	500	300		500	300			
Rated current A	15	15		15	15			
Rated cross section mm ² /AWG	0.14-1.5	26-16		0.14-1.5	26-16			
Connection capacity	Solid	Stranded	Ferrule (with and without plastic sleeve)		Solid	Stranded	Ferrule (with and without plastic sleeve)	
1 conductor mm ²	0.14-1.5	0.14-1.5	0.15-1.5	0.14-0.5	0.14-1.5	0.14-1.5	0.15-1.5	0.14-0.5
2 flexible conductors with a TWIN ferrule mm ²	—	—	—	—	—	—	—	—
General Information								
Insulation material/Flammability rating (according to UL 94)	PA/V0				PA/V0			
Operation temperatures °C (°F)	-40(-40)~105(221)				-40(-40)~105(221)			
Stripping length mm	8-10				8-10			
Color	Grey, Red, Blue (please contact sales for other color requirements)				Grey, Red, Blue (please contact sales for other color requirements)			
Accessories								
Ferrule	/				/			
Slotted screwdriver size (Blade thickness x Width) mm	0.4x2.5				0.4x2.5			
Bridge (2-10P, 20P)	DFB2-3.5 DFB3-3.5 DFB4-3.5 DFB5-3.5 DFB6-3.5 DFB7-3.5 DFB8-3.5 DFB9-3.5 DFB10-3.5 DFB20-3.5				DFB2-3.5 DFB3-3.5 DFB4-3.5 DFB5-3.5 DFB6-3.5 DFB7-3.5 DFB8-3.5 DFB9-3.5 DFB10-3.5 DFB20-3.5			
End cover	D-DS1.5-3L				D-DS1.5-3L			
Partition plate	ATP-DS / ATP-PC N				ATP-DS / ATP-PC N			
Cover profile	AP3-COVER / AP3-T / AP3-T-KS				AP3-COVER / AP3-T / AP3-T-KS			
Top marker	/				/			
Side marker	ZSF3.5				ZSF3.5			
Marker support	/				/			
Terminal strip marker support	DLM2 / KLM3-20x8 / KLM3-44x8				DLM2 / KLM3-20x8 / KLM3-44x8			
End clamp	E-PC 1100A / E-WS N				E-PC 1100A / E-WS N			
End cap	NS35/7.5-CAP NS35/15-CAP				NS35/7.5-CAP NS35/15-CAP			



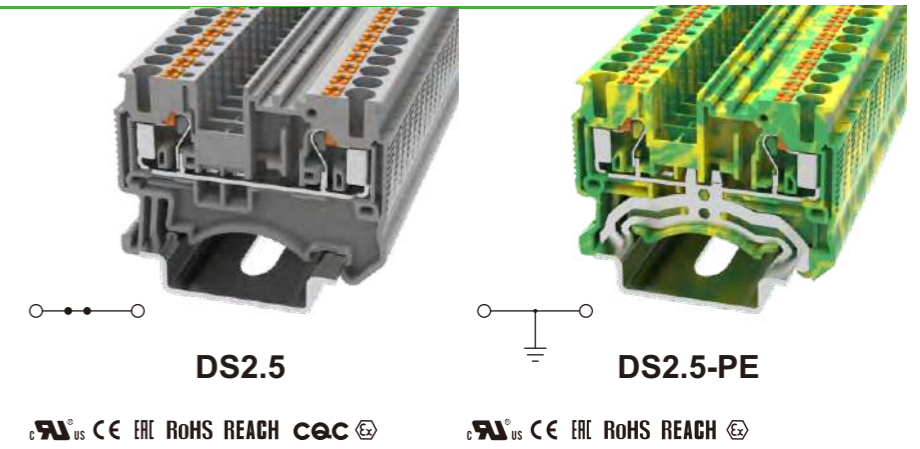
Description	Part No.	Remark
① Marker carrier	KLM3-20x8-11-00A(H)	Suitable for E-PC-1100A(H) & E-WS N
② End Clamp	E-WS N-01P-11-00A(H)	Fixing products on NS35 DIN rail
③ Terminal blocks	DS2.5-01P-11-00A(H)	Push-in type 2.5mm ² DIN Rail terminal blocks
④ Pluggable bridges	DFB2-5.2-16-00A(H)	02P bridge, use for DS2.5 series
⑤ End cover	D-DS2.5-TW-01P-11-00A(H)	End cover is used for DS2.5-TW&DS2.5-TW-PE
⑥ Pluggable bridges	DFB4-5.2-16-00A(H)	04P bridge, use for DS2.5 series
⑦ Marker	ZB5-10P-19-00A(H)	Marker is used for the top of DS2.5 series
⑧ End cover	D-DS2.5-QU-01P-11-00A(H)	End cover is used for DS2.5-QU&DS2.5-QU-PE
⑨ Pluggable bridges	DFB4-5.2-16-00A(H)	04P bridge, use for DS2.5 series
⑩ End cover	D-DSK2.5-01P-11-00A(H)	End cover is used for DSK2.5&DSK2.5-PE
⑪ Potential bridge	DPV2.5-01P-11-00A(H)	Vertical potential bridge, to connect the upper and lower level
⑫ Marker	ZK5-24P-19-00A(H)	Marker is used for the side of DS2.5 series
⑬ End cover	D-DS2.5-3L-01P-11-00A(H)	End cover is used for DS2.5-3L/DS2.5-3L-PE
⑭ DIN rail	NS35/7.5-0150-00A(H)	NS35 DIN rail

Circuit diagram

	○ Connection point for wiring		Fuse connection		Disconnecting
	● Connection point for bridging		Resistance connection		Circuit connection point
	LED light connection		Grounding connection		Diode connection

Push-in connection technology

Feed-through, multi-conductor, multi-level, and ground terminal blocks



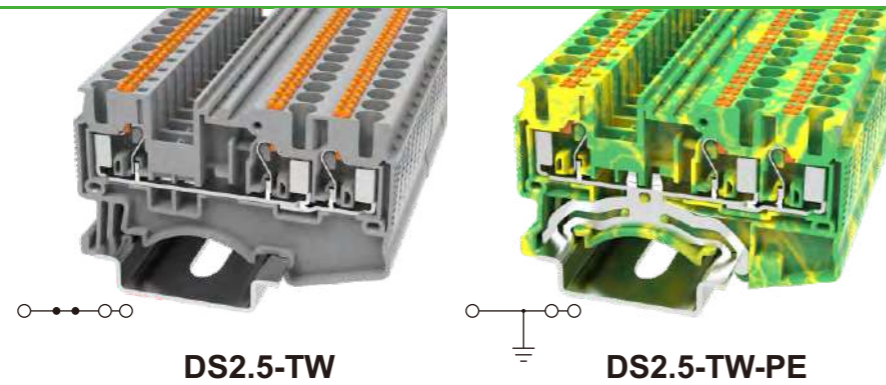
Order NO.	11040000019				11040000031							
Width/Length/Height(NS35/7.5&NS35/15)	mm 5.2/48.6/36.75(44.25)				mm 5.2/48.6/36.75(44.25)							
Electrical Data	IEC		UL		IEC		UL					
	IEC60947-7-1		UL1059		IEC60947-7-2		UL1059					
Rated voltage	V	800	600	/	/	/	/					
Rated current	A	24	20	/	/	/	/					
Rated cross section	mm ² /AWG	0.14-4		26-12		0.14-4		26-12				
Connection capacity	Solid		Stranded		Ferrule (with and without plastic sleeve)		Solid		Stranded		Ferrule (with and without plastic sleeve)	
	1 conductor	mm ²	0.14-4	0.14-2.5	0.14-2.5	0.14-2.5	0.14-4	0.14-2.5	0.14-2.5	0.14-2.5		
2 flexible conductors with a TWIN ferrule	mm ²	-	-	-	0.5	-	-	-	0.5			

General Information		
Insulation material/Flammability rating (according to UL 94)	PA/V0	
Operation temperatures	°C (°F) -40(-40)~105(221)	
Stripping length	mm 10-12	
Color	Grey, Red, Blue (please contact sales for other color requirements)	
Yellow green mixed color		

Accessories		
Ferrule	/	
Slotted screwdriver size (Blade thickness x Width)	mm 0.6x3.5	
Bridge (2-10P, 20P)	 DFB2-5.2 DFB3-5.2 DFB4-5.2 DFB5-5.2 DFB6-5.2 DFB7-5.2 DFB8-5.2 DFB9-5.2 DFB10-5.2 DFB20-5.2 DFBS2-5.2 DFBS3-5.2 DFBS10-5.2	
End cover	D-DS2.5	
Partition plate	ATP-DS / ATP-PC N	
Cover profile	AP3-COVER / AP3-T / AP3-T-KS	
Top marker	ZB5 / ZS5	
Side marker	ZK5 / ZSF5	
Marker support	DTH5-25x5 / DTH5-25x12	
Terminal strip marker support	DLM2 / KLM3-20x8 / KLM3-44x8	
End clamp	E-PC 1100A / E-WS N	
End cap	NS35/7.5-CAP NS35/15-CAP	

Push-in connection technology

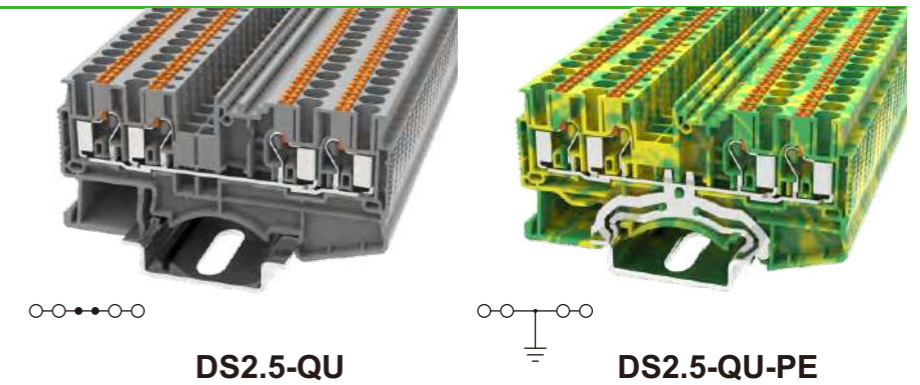
Feed-through, multi-conductor, multi-level, and ground terminal blocks



Order NO.	11040000035				11040000040			
Width/Length/Height(NS35/7.5&NS35/15)	mm 5.2/60.5/36.75(44.25)				mm 5.2/60.5/36.75(44.25)			
Electrical Data	IEC IEC60947-7-1		UL UL1059		IEC IEC60947-7-2		UL UL1059	
Rated voltage	V 800		600		/		/	
Rated current	A 24		20		/		/	
Rated cross section	mm ² /AWG 0.14-4		26-12		0.14-4		26-12	
Connection capacity	Solid	Stranded	Ferrule (with and without plastic sleeve)		Solid	Stranded	Ferrule (with and without plastic sleeve)	
1 conductor	mm ² 0.14-4	0.14-2.5	0.14-2.5	0.14-2.5	0.14-4	0.14-2.5	0.14-2.5	0.14-2.5
2 flexible conductors with a TWIN ferrule	mm ² -	-	-	0.5	-	-	-	0.5
General Information								
Insulation material/Flammability rating (according to UL 94)	PA/V0				PA/V0			
Operation temperatures	°C (°F) -40(-40)~105(221)				-40(-40)~105(221)			
Stripping length	mm 10-12				10-12			
Color	Grey, Red, Blue (please contact sales for other color requirements)				Yellow green mixed color			
Accessories								
Ferrule	/				/			
Slotted screwdriver size (Blade thickness x Width)	mm 0.6x3.5				0.6x3.5			
Bridge (2-10P, 20P)	DFB2-5.2 DFB3-5.2 DFB4-5.2 DFB5-5.2 DFB6-5.2 DFB7-5.2 DFB8-5.2 DFB9-5.2 DFB10-5.2 DFB20-5.2 DFBS2-5.2 DFBS3-5.2 DFBS10-5.2				/			
End cover	D-DS2.5-TW				D-DS2.5-TW			
Partition plate	ATP-DS / ATP-PC N				ATP-DS / ATP-PC N			
Cover profile	AP3-COVER / AP3-T / AP3-T-KS				AP3-COVER / AP3-T / AP3-T-KS			
Top marker	ZB5 / ZS5				ZB5 / ZS5			
Side marker	ZK5 / ZSF5				ZK5 / ZSF5			
Marker support	DTH5-25x5 / DTH5-25x12				DTH5-25x5 / DTH5-25x12			
Terminal strip marker support	DLM2 / KLM3-20x8 / KLM3-44x8				DLM2 / KLM3-20x8 / KLM3-44x8			
End clamp	E-PC 1100A / E-WS N				E-PC 1100A / E-WS N			
End cap	NS35/7.5-CAP NS35/15-CAP				NS35/7.5-CAP NS35/15-CAP			

Push-in connection technology

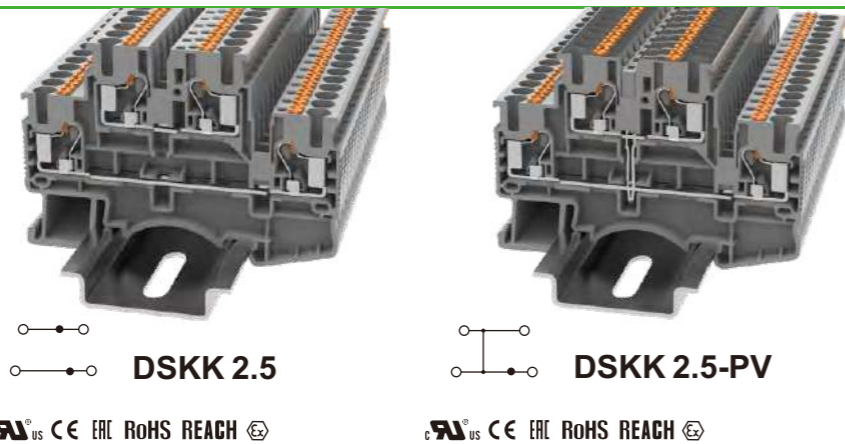
Feed-through, multi-conductor, multi-level, and ground terminal blocks



Order NO.	11040000032				11040000034			
Width/Length/Height(NS35/7.5&NS35/15)	mm 5.2/72.2/36.75(44.25)				mm 5.2/72.2/36.75(44.25)			
Electrical Data	IEC IEC60947-7-1		UL UL1059		IEC IEC60947-7-2		UL UL1059	
Rated voltage	V 800		600		/		/	
Rated current	A 24		20		/		/	
Rated cross section	mm ² /AWG 0.14-4		26-12		0.14-4		26-12	
Connection capacity	Solid	Stranded	Ferrule (with and without plastic sleeve)		Solid	Stranded	Ferrule (with and without plastic sleeve)	
1 conductor	mm ² 0.14-4	0.14-2.5	0.14-2.5	0.14-2.5	0.14-4	0.14-2.5	0.14-2.5	0.14-2.5
2 flexible conductors with a TWIN ferrule	mm ² -	-	-	0.5	-	-	-	0.5
General Information								
Insulation material/Flammability rating (according to UL 94)	PA/V0				PA/V0			
Operation temperatures	°C (°F) -40(-40)~105(221)				-40(-40)~105(221)			
Stripping length	mm 10-12				10-12			
Color	Grey, Red, Blue (please contact sales for other color requirements)				Yellow green mixed color			
Accessories								
Ferrule	/				/			
Slotted screwdriver size (Blade thickness x Width)	mm 0.6x3.5				0.6x3.5			
Bridge (2-10P, 20P)	DFB2-5.2 DFB3-5.2 DFB4-5.2 DFB5-5.2 DFB6-5.2 DFB7-5.2 DFB8-5.2 DFB9-5.2 DFB10-5.2 DFB20-5.2 DFBS2-5.2 DFBS3-5.2 DFBS10-5.2				/			
End cover	D-DS2.5-QU				D-DS2.5-QU			
Partition plate	ATP-DS / ATP-PC N				ATP-DS / ATP-PC N			
Cover profile	AP3-COVER / AP3-T / AP3-T-KS				AP3-COVER / AP3-T / AP3-T-KS			
Top marker	ZB5 / ZS5				ZB5 / ZS5			
Side marker	ZK5 / ZSF5				ZK5 / ZSF5			
Marker support	DTH5-25x5 / DTH5-25x12				DTH5-25x5 / DTH5-25x12			
Terminal strip marker support	DLM2 / KLM3-20x8 / KLM3-44x8				DLM2 / KLM3-20x8 / KLM3-44x8			
End clamp	E-PC 1100A / E-WS N				E-PC 1100A / E-WS N			
End cap	NS35/7.5-CAP NS35/15-CAP				NS35/7.5-CAP NS35/15-CAP			

Push-in connection technology

Feed-through, multi-conductor, multi-level, and ground terminal blocks



UL US CE ENEC RoHS REACH

UL US CE ENEC RoHS REACH

Order NO.	11040000062				11040000063			
Width/Length/Height(NS35/7.5&NS35/15)	mm 5.2/68.2/48.75(56.25)				mm 5.2/68.2/48.75(56.25)			
Electrical Data	IEC IEC60947-7-1		UL UL1059		IEC IEC60947-7-1		UL UL1059	
Rated voltage	V 500		300		V 500		300	
Rated current	A 22		20		A 22		20	
Rated cross section	mm ² /AWG 0.14-4		26-12		mm ² /AWG 0.14-4		26-12	
Connection capacity	Solid	Stranded	Ferrule (with and without plastic sleeve)		Solid	Stranded	Ferrule (with and without plastic sleeve)	
1 conductor	mm ² 0.14-4	0.14-2.5	0.14-2.5	0.14-2.5	mm ² 0.14-4	0.14-2.5	0.14-2.5	0.14-2.5
2 flexible conductors with a TWIN ferrule	mm ² -	-	-	0.5	mm ² -	-	-	0.5
General Information								
Insulation material/Flammability rating (according to UL 94)	PA/V0				PA/V0			
Operation temperatures	°C (°F) -40(-40)~105(221)				°C (°F) -40(-40)~105(221)			
Stripping length	mm 10-12				mm 10-12			
Color	Grey, Red, Blue (please contact sales for other color requirements)				Grey, Red, Blue (please contact sales for other color requirements)			
Accessories								
Ferrule	/				/			
Slotted screwdriver size (Blade thickness x Width)	mm 0.6x3.5				mm 0.6x3.5			
Bridge (2-10P, 20P)	 DFB2-5.2 DFB3-5.2 DFB4-5.2 DFB5-5.2 DFB6-5.2 DFB7-5.2 DFB8-5.2 DFB9-5.2 DFB10-5.2 DFB20-5.2 DFBS2-5.2 DFBS3-5.2 DFBS10-5.2				 DFB2-5.2 DFB3-5.2 DFB4-5.2 DFB5-5.2 DFB6-5.2 DFB7-5.2 DFB8-5.2 DFB9-5.2 DFB10-5.2 DFB20-5.2 DFBS2-5.2 DFBS3-5.2 DFBS10-5.2			
End cover	D-DSKK2.5				D-DSKK2.5			
Partition plate	ATP-DS / ATP-PC N				ATP-DS / ATP-PC N			
Cover profile	AP3-COVER / AP3-T / AP3-T-KS				AP3-COVER / AP3-T / AP3-T-KS			
Top marker	/				/			
Side marker	ZK5 / ZSF5				ZK5 / ZSF5			
Marker support	DMTH5-2 / DMTH5-3				DMTH5-2 / DMTH5-3			
Terminal strip marker support	DLM2 / KLM3-20x8 / KLM3-44x8				DLM2 / KLM3-20x8 / KLM3-44x8			
End clamp	E-PC 1100A / E-WS N				E-PC 1100A / E-WS N			
End cap	NS35/7.5-CAP NS35/15-CAP				NS35/7.5-CAP NS35/15-CAP			

Push-in connection technology

Feed-through, multi-conductor, multi-level, and ground terminal blocks



UL US CE ENEC RoHS REACH

Order NO.	11040000099			
Width/Length/Height(NS35/7.5&NS35/15)	mm 5.2/68.2/48.75(56.25)			
Electrical Data	IEC IEC60947-7-2		UL UL1059	
Rated voltage	V /		/	
Rated current	A /		/	
Rated cross section	mm ² /AWG 0.14-4		26-12	
Connection capacity	Solid	Stranded	Ferrule (with and without plastic sleeve)	
1 conductor	mm ² 0.14-4	0.14-2.5	0.14-2.5	0.14-2.5
2 flexible conductors with a TWIN ferrule	mm ² -	-	-	0.5
General Information				
Insulation material/Flammability rating (according to UL 94)	PA/V0			
Operation temperatures	°C (°F) -40(-40)~105(221)			
Stripping length	mm 10-12			
Color	Yellow green mixed color			
Accessories				
Ferrule	/			
Slotted screwdriver size (Blade thickness x Width)	mm 0.6x3.5			
Bridge (2-10P, 20P)	 DFB2-5.2 DFB3-5.2 DFB4-5.2 DFB5-5.2 DFB6-5.2 DFB7-5.2 DFB8-5.2 DFB9-5.2 DFB10-5.2 DFB20-5.2 DFBS2-5.2 DFBS3-5.2 DFBS10-5.2			
End cover	D-DSKK2.5			
Partition plate	ATP-DS / ATP-PC N			
Cover profile	AP3-COVER / AP3-T / AP3-T-KS			
Top marker	/			
Side marker	ZK5 / ZSF5			
Marker support	DMTH5-2 / DMTH5-3			
Terminal strip marker support	DLM2 / KLM3-20x8 / KLM3-44x8			
End clamp	E-PC 1100A / E-WS N			
End cap	NS35/7.5-CAP NS35/15-CAP			

Push-in connection technology

Feed-through, multi-conductor, multi-level, and ground terminal blocks



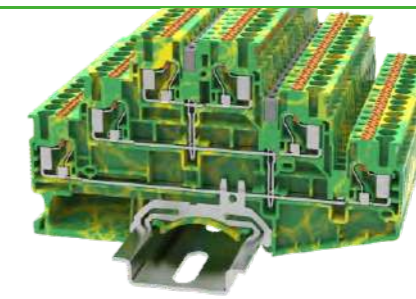
UL US CE ENE RoHS REACH

UL US CE ENE RoHS REACH

Order NO.	11040000125				11040000128			
Width/Length/Height(NS35/7.5&NS35/15)	mm 5.2/102.00/60.75(68.25)				mm 5.2/102.00/60.75(68.25)			
Electrical Data	IEC IEC60947-7-1		UL UL1059		IEC IEC60947-7-1		UL UL1059	
Rated voltage	V 500		300		V 500		300	
Rated current	A 20		20		A 20		20	
Rated cross section	mm ² /AWG 0.14-4		26-12		mm ² /AWG 0.14-4		26-12	
Connection capacity	Solid	Stranded	Ferrule (with and without plastic sleeve)		Solid	Stranded	Ferrule (with and without plastic sleeve)	
1 conductor	mm ² 0.14-4	0.14-2.5	0.14-2.5	0.14-2.5	mm ² 0.14-4	0.14-2.5	0.14-2.5	0.14-2.5
2 flexible conductors with a TWIN ferrule	mm ² -	-	-	0.5	mm ² -	-	-	0.5
General Information								
Insulation material/Flammability rating (according to UL 94)	PA/V0				PA/V0			
Operation temperatures	°C (°F) -40(-40)~105(221)				°C (°F) -40(-40)~105(221)			
Stripping length	mm 10-12				mm 10-12			
Color	Grey, Red, Blue (please contact sales for other color requirements)				Grey, Red, Blue (please contact sales for other color requirements)			
Accessories								
Ferrule	/				/			
Slotted screwdriver size (Blade thickness x Width)	mm 0.6x3.5				mm 0.6x3.5			
Bridge (2-10P, 20P)	 DFB2-5.2 DFB3-5.2 DFB4-5.2 DFB5-5.2 DFB6-5.2 DFB7-5.2 DFB8-5.2 DFB9-5.2 DFB10-5.2 DFB20-5.2 DFBS2-5.2 DFBS3-5.2 DFBS10-5.2				 DFB2-5.2 DFB3-5.2 DFB4-5.2 DFB5-5.2 DFB6-5.2 DFB7-5.2 DFB8-5.2 DFB9-5.2 DFB10-5.2 DFB20-5.2 DFBS2-5.2 DFBS3-5.2 DFBS10-5.2			
End cover	D-DS2.5-3L				D-DS2.5-3L			
Partition plate	ATP-DS / ATP-PC N				ATP-DS / ATP-PC N			
Cover profile	AP3-COVER / AP3-T / AP3-T-KS				AP3-COVER / AP3-T / AP3-T-KS			
Top marker	/				/			
Side marker	ZK5 / ZSF5				ZK5 / ZSF5			
Marker support	DMTH5-2 / DMTH5-3				DMTH5-2 / DMTH5-3			
Terminal strip marker support	DLM2 / KLM3-20x8 / KLM3-44x8				DLM2 / KLM3-20x8 / KLM3-44x8			
End clamp	E-PC 1100A / E-WS N				E-PC 1100A / E-WS N			
End cap	NS35/7.5-CAP NS35/15-CAP				NS35/7.5-CAP NS35/15-CAP			

Push-in connection technology

Feed-through, multi-conductor, multi-level, and ground terminal blocks

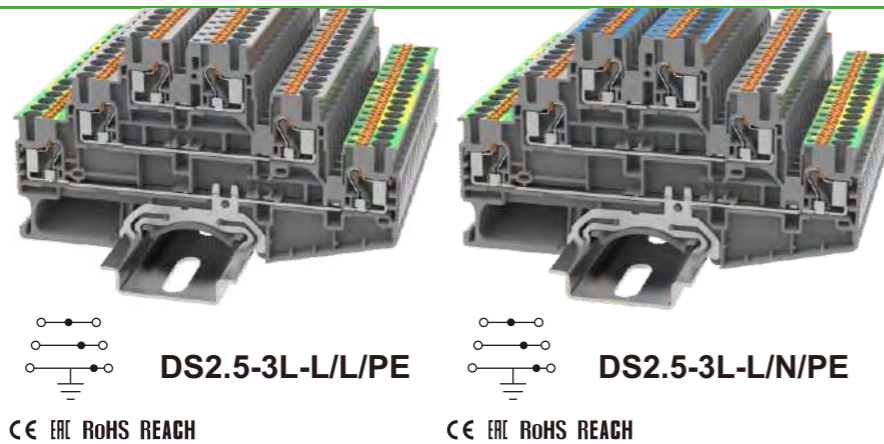


UL US CE ENE RoHS REACH

Order NO.	11040000129			
Width/Length/Height(NS35/7.5&NS35/15)	mm 5.2/102.00/60.75(68.25)			
Electrical Data	IEC IEC60947-7-2		UL UL1059	
Rated voltage	V /		/	
Rated current	A /		/	
Rated cross section	mm ² /AWG 0.14-4		26-12	
Connection capacity	Solid	Stranded	Ferrule (with and without plastic sleeve)	
1 conductor	mm ² 0.14-4	0.14-2.5	0.14-2.5	0.14-2.5
2 flexible conductors with a TWIN ferrule	mm ² -	-	-	0.5
General Information				
Insulation material/Flammability rating (according to UL 94)	PA/V0			
Operation temperatures	°C (°F) -40(-40)~105(221)			
Stripping length	mm 10-12			
Color	Yellow green mixed color			
Accessories				
Ferrule	/			
Slotted screwdriver size (Blade thickness x Width)	mm 0.6x3.5			
Bridge (2-10P, 20P)	 DFB2-5.2 DFB3-5.2 DFB4-5.2 DFB5-5.2 DFB6-5.2 DFB7-5.2 DFB8-5.2 DFB9-5.2 DFB10-5.2 DFB20-5.2 DFBS2-5.2 DFBS3-5.2 DFBS10-5.2			
End cover	D-DS2.5-3L			
Partition plate	ATP-DS / ATP-PC N			
Cover profile	AP3-COVER / AP3-T / AP3-T-KS			
Top marker	/			
Side marker	ZK5 / ZSF5			
Marker support	DMTH5-2 / DMTH5-3			
Terminal strip marker support	DLM2 / KLM3-20x8 / KLM3-44x8			
End clamp	E-PC 1100A / E-WS N			
End cap	NS35/7.5-CAP NS35/15-CAP			

Push-in connection technology

Feed-through, multi-conductor, multi-level, and ground terminal blocks



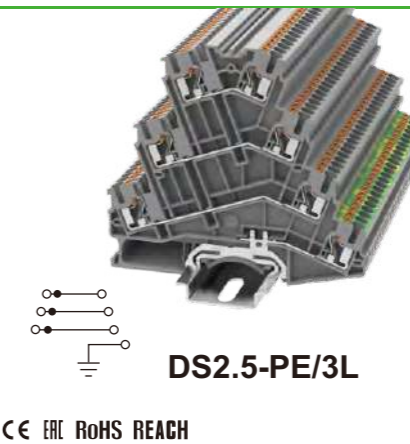
CE ERE RoHS REACH

CE ERE RoHS REACH

Order NO.	11040000142				11040000293			
Width/Length/Height(NS35/7.5&NS35/15)	mm 5.2/102.00/60.75(68.25)				mm 5.2/102.00/60.75(68.25)			
Electrical Data	IEC IEC60947-7-1 IEC60947-7-2		UL UL1059		IEC IEC60947-7-1 IEC60947-7-2		UL UL1059	
Rated voltage	V 500		300		V 500		300	
Rated current	A 20		20		A 20		20	
Rated cross section	mm ² /AWG 0.14-4		26-12		mm ² /AWG 0.14-4		26-12	
Connection capacity	Solid	Stranded	Ferrule (with and without plastic sleeve)		Solid	Stranded	Ferrule (with and without plastic sleeve)	
1 conductor	mm ² 0.14-4	0.14-2.5	0.14-2.5	0.14-2.5	mm ² 0.14-4	0.14-2.5	0.14-2.5	0.14-2.5
2 flexible conductors with a TWIN ferrule	mm ² —	—	—	0.5	mm ² —	—	—	0.5
General Information								
Insulation material/Flammability rating (according to UL 94)	PA/V0				PA/V0			
Operation temperatures	°C (°F) -40(-40)~105(221)				°C (°F) -40(-40)~105(221)			
Stripping length	mm 10-12				mm 10-12			
Color	Grey, Red, Blue (please contact sales for other color requirements)				Grey, Red, Blue (please contact sales for other color requirements)			
Accessories								
Ferrule	/				/			
Slotted screwdriver size (Blade thickness x Width)	mm 0.6x3.5				mm 0.6x3.5			
Bridge (2-10P, 20P)	 DFB2-5.2 DFB3-5.2 DFB4-5.2 DFB5-5.2 DFB6-5.2 DFB7-5.2 DFB8-5.2 DFB9-5.2 DFB10-5.2 DFB20-5.2 DFBS2-5.2 DFBS3-5.2 DFBS10-5.2				 DFB2-5.2 DFB3-5.2 DFB4-5.2 DFB5-5.2 DFB6-5.2 DFB7-5.2 DFB8-5.2 DFB9-5.2 DFB10-5.2 DFB20-5.2 DFBS2-5.2 DFBS3-5.2 DFBS10-5.2			
End cover	D-DS2.5-3L				D-DS2.5-3L			
Partition plate	ATP-DS / ATP-PC N				ATP-DS / ATP-PC N			
Cover profile	AP3-COVER / AP3-T / AP3-T-KS				AP3-COVER / AP3-T / AP3-T-KS			
Top marker	/				/			
Side marker	ZK5 / ZSF5				ZK5 / ZSF5			
Marker support	DMTH5-2 / DMTH5-3				DMTH5-2 / DMTH5-3			
Terminal strip marker support	DLM2 / KLM3-20x8 / KLM3-44x8				DLM2 / KLM3-20x8 / KLM3-44x8			
End clamp	E-PC 1100A / E-WS N				E-PC 1100A / E-WS N			
End cap	NS35/7.5-CAP NS35/15-CAP				NS35/7.5-CAP NS35/15-CAP			

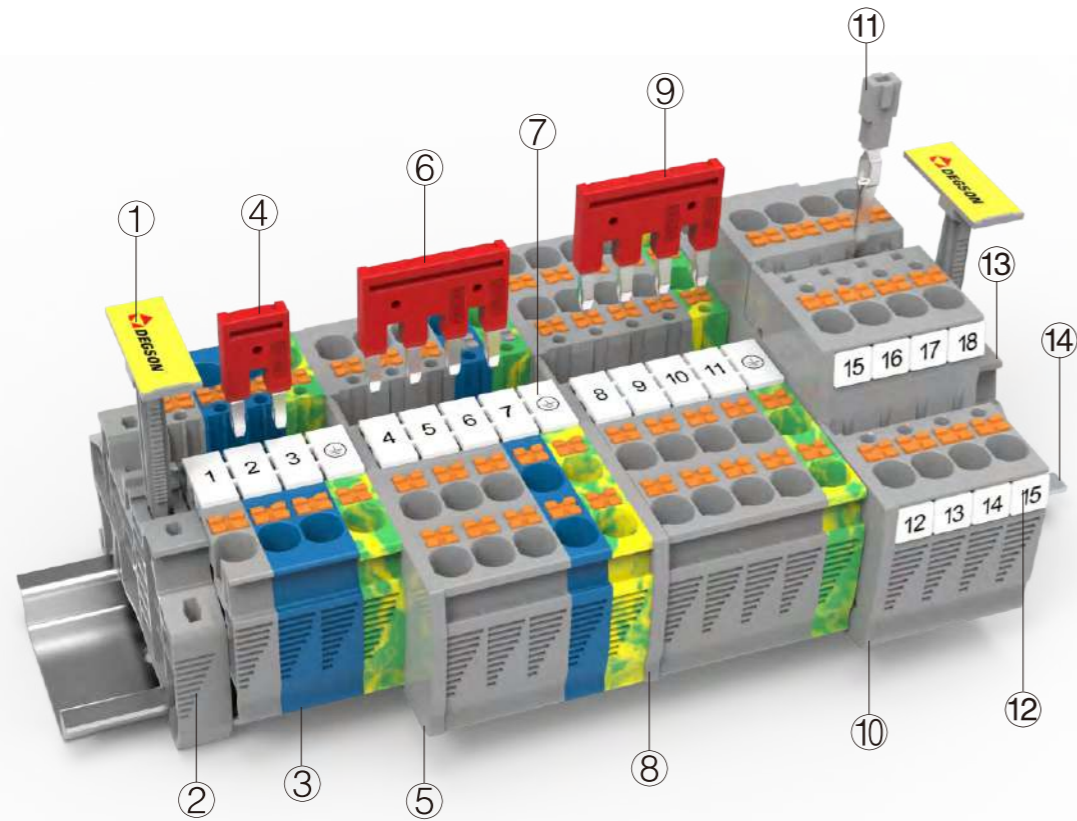
Push-in connection technology

Feed-through, multi-conductor, multi-level, and ground terminal blocks



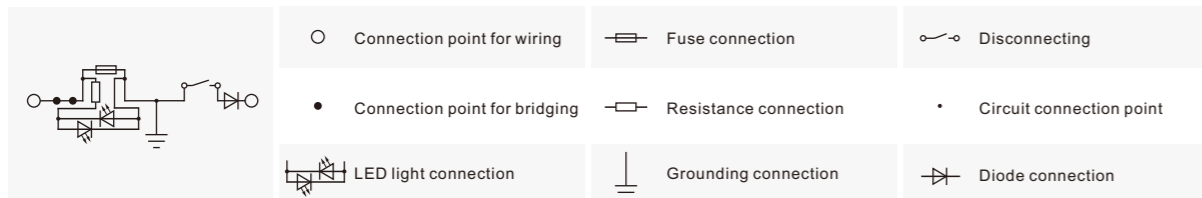
CE ERE RoHS REACH

Order NO.	11040000188			
Width/Length/Height(NS35/7.5&NS35/15)	mm 5.2/99.4/92.6(100.1)			
Electrical Data	IEC IEC60947-7-1 IEC60947-7-2		UL UL1059	
Rated voltage	V 800		600	
Rated current	A 20		20	
Rated cross section	mm ² /AWG 0.14-4		26-12	
Connection capacity	Solid	Stranded	Ferrule (with and without plastic sleeve)	
1 conductor	mm ² 0.14-4	0.14-2.5	0.14-2.5	0.14-2.5
2 flexible conductors with a TWIN ferrule	mm ² —	—	—	0.5
General Information				
Insulation material/Flammability rating (according to UL 94)	PA/V0			
Operation temperatures	°C (°F) -40(-40)~105(221)			
Stripping length	mm 10-12			
Color	Grey, Red, Blue (please contact sales for other color requirements)			
Accessories				
Ferrule	/			
Slotted screwdriver size (Blade thickness x Width)	mm 0.6x3.5			
Bridge (2P 3P 10P)	 DFBS2-5.2 / DFBS3-5.2 / DFBS10-5.2			
End cover	D-DS2.5-PE/3L			
Partition plate	ATP-DS / ATP-PC N			
Cover profile	AP3-COVER / AP3-T / AP3-T-KS			
Top marker	ZB5 / ZS5			
Side marker	ZK5 / ZSF5			
Marker support	DMTH5-2 / DMTH5-3			
Terminal strip marker support	DLM2 / KLM3-20x8 / KLM3-44x8			
End clamp	E-PC 1100A / E-WS N			
End cap	NS35/7.5-CAP NS35/15-CAP			



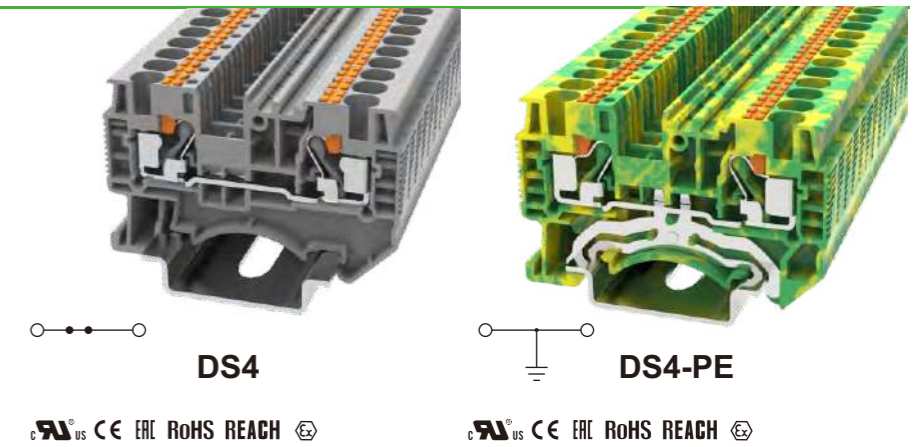
Description	Part No.	Remark
① Marker carrier	KLM3-20x8-11-00A(H)	Suitable for E-PC-1100A(H) & E-WS N
② End Clamp	E-WS N-01P-11-00A(H)	Fixing products on NS35 DIN rail
③ Terminal blocks	DS4-01P-11-00A(H)	Push-in type 4mm ² DIN Rail terminal blocks
④ Pluggable bridges	DFB2-6.2-16-00A(H)	02P bridge, use for DS4 series
⑤ End cover	D-DS4-TW-01P-11-00A(H)	End cover is used for DS4-TW&DS4-TW-PE
⑥ Pluggable bridges	DFB4-6.2-16-00A(H)	04P bridge, use for DS4 series
⑦ Marker	ZB6-10P-19-00A(H)	Marker is used for the top of DS4 series
⑧ End cover	D-DS4-QU-01P-11-00A(H)	End cover is used for DS4-QU&DS4-QU-PE
⑨ Pluggable bridges	DFB4-6.2-16-00A(H)	04P bridge, use for DS4 series
⑩ End cover	D-DSKK4-01P-11-00A(H)	End cover is used for DSKK4&DSKK4-PE
⑪ Potential bridge	DPV2.5-01P-11-00A(H)	Vertical potential bridge, to connect the upper and lower level
⑫ Marker	ZK6-20P-19-00A(H)	Marker is used for the side of DS4 series
⑬ End Clamp	E-WS N-01P-11-00A(H)	Fixing products on NS35 DIN rail
⑭ DIN rail	NS35/7.5-0150-00A(H)	NS35 DIN rail

Circuit diagram



Push-in connection technology

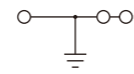
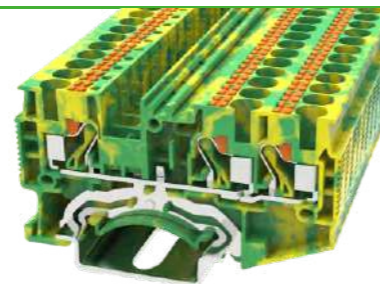
Feed-through, multi-conductor, multi-level, and ground terminal blocks



Order NO.	11040000041	11040000047
Width/Length/Height(NS35/7.5&NS35/15) mm	6.2/55.6/36.8(44.3)	6.2/55.6/36.8(44.3)
Electrical Data	IEC IEC60947-7-1	UL UL1059
Rated voltage V	800	600
Rated current A	32	30
Rated cross section mm ² /AWG	0.2-6	24-10
Connection capacity	Solid Stranded Ferrule (with and without plastic sleeve)	Solid Stranded Ferrule (with and without plastic sleeve)
1 conductor mm ²	0.2-6	0.2-4 0.2-4 0.2-4
2 flexible conductors with a TWIN ferrule mm ²	-	- 0.5-1
General Information		
Insulation material/Flammability rating (according to UL 94)	PA/V0	PA/V0
Operation temperatures °C (°F)	-40(-40)~105(221)	-40(-40)~105(221)
Stripping length mm	11-13	11-13
Color	Grey, Red, Blue (please contact sales for other color requirements)	Yellow green mixed color
Accessories		
Ferrule	/	/
Slotted screwdriver size (Blade thickness x Width) mm	0.6x3.5	0.6x3.5
Bridge (2-10P)	DFB2-6.2 DFB3-6.2 DFB4-6.2 DFB5-6.2 DFB6-6.2 DFB7-6.2 DFB8-6.2 DFB9-6.2 DFB10-6.2	/
End cover	D-DS4	D-DS4
Partition plate	ATP-DS / ATP-PC N	ATP-DS / ATP-PC N
Cover profile	AP3-COVER / AP3-T / AP3-T-KS	AP3-COVER / AP3-T / AP3-T-KS
Top marker	ZB6 / ZS6	ZB6 / ZS6
Side marker	ZK6 / ZSF6	ZK6 / ZSF6
Marker support	/	/
Terminal strip marker support	DLM2 / KLM3-20x8 / KLM3-44x8	DLM2 / KLM3-20x8 / KLM3-44x8
End clamp	E-PC 1100A / E-WS N	E-PC 1100A / E-WS N
End cap	NS35/7.5-CAP NS35/15-CAP	NS35/7.5-CAP NS35/15-CAP

Push-in connection technology

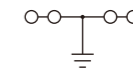
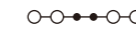
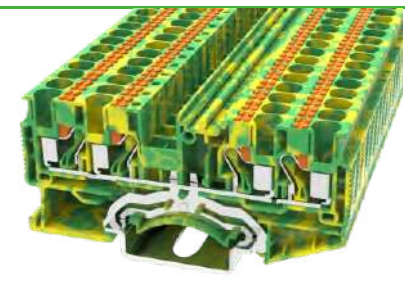
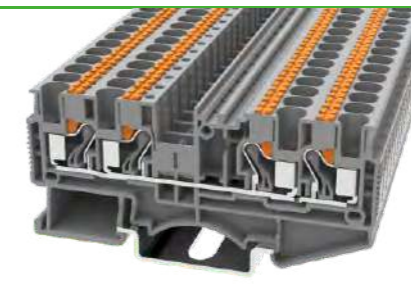
Feed-through, multi-conductor, multi-level, and ground terminal blocks


DS4-TW
DS4-TW-PE

Order NO.	11040000050				11040000051			
Width/Length/Height(NS35/7.5&NS35/15) mm	6.2/66.5/36.8(44.3)				6.2/66.5/36.8(44.3)			
Electrical Data	IEC IEC60947-7-1		UL UL1059		IEC IEC60947-7-2		UL UL1059	
Rated voltage V	800		600		/		/	
Rated current A	32		30		/		/	
Rated cross section mm ² /AWG	0.2-6		24-10		0.2-6		24-10	
Connection capacity	Solid	Stranded	Ferrule (with and without plastic sleeve)		Solid	Stranded	Ferrule (with and without plastic sleeve)	
1 conductor mm ²	0.2-6	0.2-4	0.2-4	0.2-4	0.2-6	0.2-4	0.2-4	0.2-4
2 flexible conductors with a TWIN ferrule mm ²	—	—	—	0.5-1	—	—	—	0.5-1
General Information								
Insulation material/Flammability rating (according to UL 94)	PA/V0				PA/V0			
Operation temperatures °C (°F)	-40(-40)~105(221)				-40(-40)~105(221)			
Stripping length mm	10-12				10-12			
Color	Grey, Red, Blue (please contact sales for other color requirements)				Yellow green mixed color			
Accessories								
Ferrule	/				/			
Slotted screwdriver size (Blade thickness x Width) mm	0.6x3.5				0.6x3.5			
Bridge (2-10P)	DFB2-6.2 DFB3-6.2 DFB4-6.2 DFB5-6.2 DFB6-6.2 DFB7-6.2 DFB8-6.2 DFB9-6.2 DFB10-6.2				/			
End cover	D-DS4-TW				D-DS4-TW			
Partition plate	ATP-DS / ATP-PC N				ATP-DS / ATP-PC N			
Cover profile	AP3-COVER / AP3-T / AP3-T-KS				AP3-COVER / AP3-T / AP3-T-KS			
Top marker	ZB6 / ZS6				ZB6 / ZS6			
Side marker	ZK6 / ZSF6				ZK6 / ZSF6			
Marker support	/				/			
Terminal strip marker support	DLM2 / KLM3-20x8 / KLM3-44x8				DLM2 / KLM3-20x8 / KLM3-44x8			
End clamp	E-PC 1100A / E-WS N				E-PC 1100A / E-WS N			
End cap	NS35/7.5-CAP NS35/15-CAP				NS35/7.5-CAP NS35/15-CAP			

Push-in connection technology

Feed-through, multi-conductor, multi-level, and ground terminal blocks


DS4-QU
DS4-QU-PE

Order NO.	11040000048				11040000049			
Width/Length/Height(NS35/7.5&NS35/15) mm	6.2/77/36.8(44.3)				6.2/77/36.8(44.3)			
Electrical Data	IEC IEC60947-7-1		UL UL1059		IEC IEC60947-7-2		UL UL1059	
Rated voltage V	800		600		/		/	
Rated current A	32		30		/		/	
Rated cross section mm ² /AWG	0.2-6		24-10		0.2-6		24-10	
Connection capacity	Solid	Stranded	Ferrule (with and without plastic sleeve)		Solid	Stranded	Ferrule (with and without plastic sleeve)	
1 conductor mm ²	0.2-6	0.2-4	0.2-4	0.2-4	0.2-6	0.2-4	0.2-4	0.2-4
2 flexible conductors with a TWIN ferrule mm ²	—	—	—	0.5-1	—	—	—	0.5-1
General Information								
Insulation material/Flammability rating (according to UL 94)	PA/V0				PA/V0			
Operation temperatures °C (°F)	-40(-40)~105(221)				-40(-40)~105(221)			
Stripping length mm	10-12				10-12			
Color	Grey, Red, Blue (please contact sales for other color requirements)				Yellow green mixed color			
Accessories								
Ferrule	/				/			
Slotted screwdriver size (Blade thickness x Width) mm	0.6x3.5				0.6x3.5			
Bridge (2-10P)	DFB2-6.2 DFB3-6.2 DFB4-6.2 DFB5-6.2 DFB6-6.2 DFB7-6.2 DFB8-6.2 DFB9-6.2 DFB10-6.2				/			
End cover	D-DS4-QU				D-DS4-QU			
Partition plate	ATP-DS / ATP-PC N				ATP-DS / ATP-PC N			
Cover profile	AP3-COVER / AP3-T / AP3-T-KS				AP3-COVER / AP3-T / AP3-T-KS			
Top marker	ZB6 / ZS6				ZB6 / ZS6			
Side marker	ZK6 / ZSF6				ZK6 / ZSF6			
Marker support	/				/			
Terminal strip marker support	DLM2 / KLM3-20x8 / KLM3-44x8				DLM2 / KLM3-20x8 / KLM3-44x8			
End clamp	E-PC 1100A / E-WS N				E-PC 1100A / E-WS N			
End cap	NS35/7.5-CAP NS35/15-CAP				NS35/7.5-CAP NS35/15-CAP			

Push-in connection technology

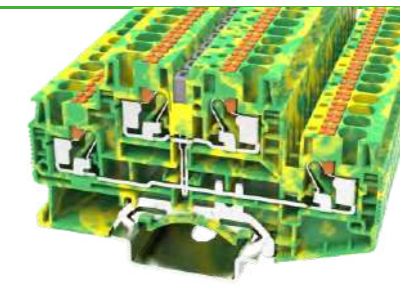
Feed-through, multi-conductor, multi-level, and ground terminal blocks



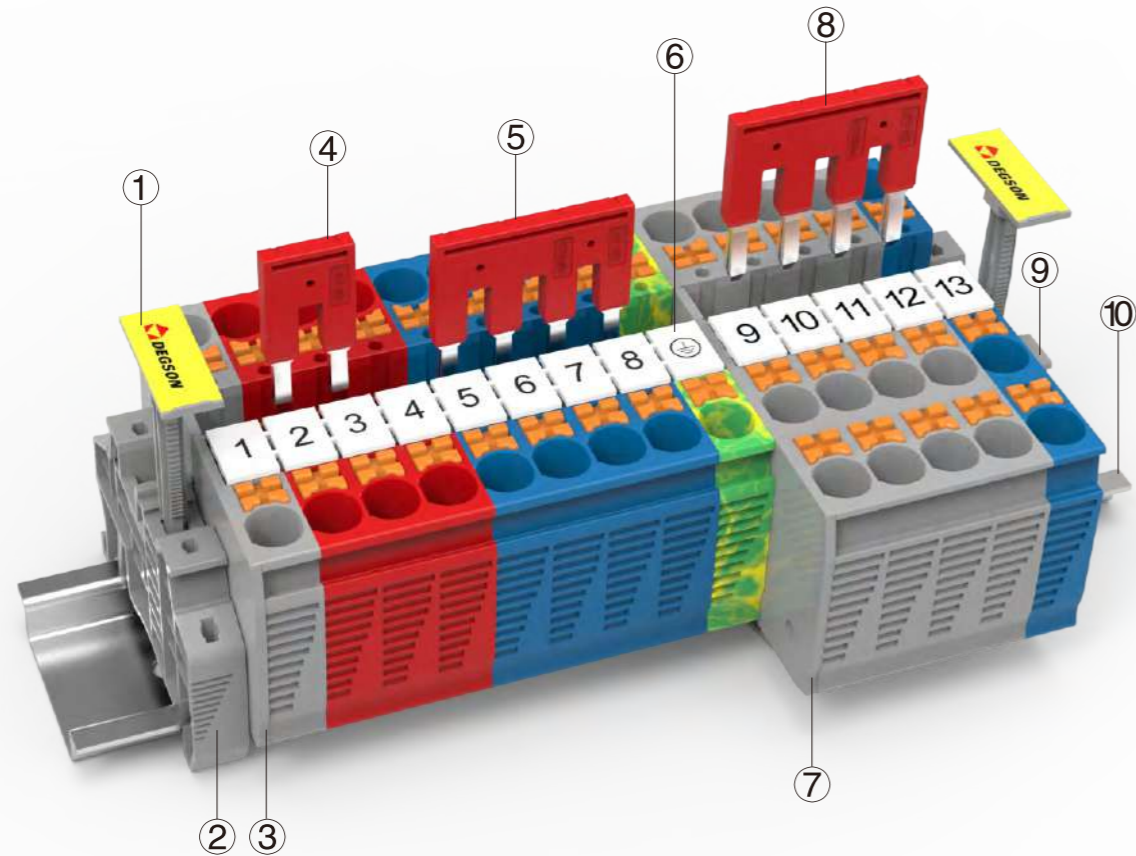
Order NO.	11040000064				11040000065			
Width/Length/Height(NS35/7.5&NS35/15)	mm 6.2/83.5/48.75(56.25)				mm 6.2/83.5/48.75(56.25)			
Electrical Data	IEC IEC60947-7-1		UL UL1059		IEC IEC60947-7-1		UL UL1059	
Rated voltage	V 500		300		V 500		300	
Rated current	A 32		28		A 32		28	
Rated cross section	mm ² /AWG 0.2-6		24-10		mm ² /AWG 0.2-4		24-10	
Connection capacity	Solid	Stranded	Ferrule (with and without plastic sleeve)		Solid	Stranded	Ferrule (with and without plastic sleeve)	
1 conductor	mm ² 0.2-6	0.2-4	0.2-4	0.2-4	mm ² 0.2-6	0.2-4	0.2-4	0.2-4
2 flexible conductors with a TWIN ferrule	mm ² -	-	-	0.5-1	mm ² -	-	-	0.5-1
General Information								
Insulation material/Flammability rating (according to UL 94)	PA/V0				PA/V0			
Operation temperatures	°C (°F) -40(-40)~105(221)				°C (°F) -40(-40)~105(221)			
Stripping length	mm 11-13				mm 11-13			
Color	Grey, Red, Blue (please contact sales for other color requirements)				Grey, Red, Blue (please contact sales for other color requirements)			
Accessories								
Ferrule	/				/			
Slotted screwdriver size (Blade thickness x Width)	mm 0.6x3.5				mm 0.6x3.5			
Bridge (2-10P)	 DFB2-6.2 DFB3-6.2 DFB4-6.2 DFB5-6.2 DFB6-6.2 DFB7-6.2 DFB8-6.2 DFB9-6.2 DFB10-6.2				 DFB2-6.2 DFB3-6.2 DFB4-6.2 DFB5-6.2 DFB6-6.2 DFB7-6.2 DFB8-6.2 DFB9-6.2 DFB10-6.2			
End cover	 D-DSKK4				 D-DSKK4			
Partition plate	 ATP-DS / ATP-PC N				 ATP-DS / ATP-PC N			
Cover profile	 AP3-COVER / AP3-T / AP3-T-KS				 AP3-COVER / AP3-T / AP3-T-KS			
Top marker	/				/			
Side marker	 ZK6 / ZSF6				 ZK6 / ZSF6			
Marker support	 DMTH5-2 / DMTH5-3				 DMTH5-2 / DMTH5-3			
Terminal strip marker support	 DLM2 / KLM3-20x8 / KLM3-44x8				 DLM2 / KLM3-20x8 / KLM3-44x8			
End clamp	 E-PC 1100A / E-WS N				 E-PC 1100A / E-WS N			
End cap	 NS35/7.5-CAP NS35/15-CAP				 NS35/7.5-CAP NS35/15-CAP			

Push-in connection technology

Feed-through, multi-conductor, multi-level, and ground terminal blocks

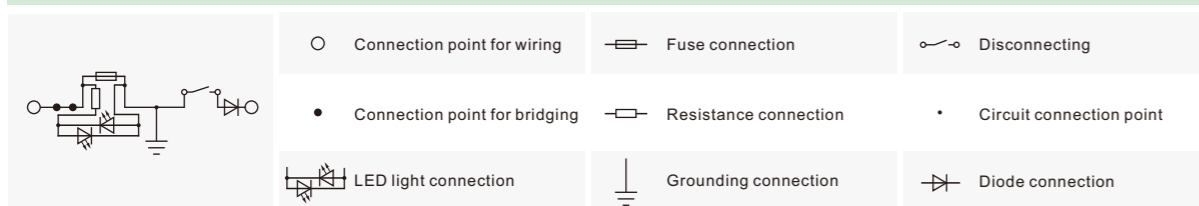


Order NO.	11040000144			
Width/Length/Height(NS35/7.5&NS35/15)	mm 6.2/83.5/48.75(56.25)			
Electrical Data	IEC IEC60947-7-2		UL UL1059	
Rated voltage	V /		/	
Rated current	A /		/	
Rated cross section	mm ² /AWG 0.2-4		24-10	
Connection capacity	Solid	Stranded	Ferrule (with and without plastic sleeve)	
1 conductor	mm ² 0.2-6	0.2-4	0.2-4	0.2-4
2 flexible conductors with a TWIN ferrule	mm ² -	-	-	0.5-1
General Information				
Insulation material/Flammability rating (according to UL 94)	PA/V0			
Operation temperatures	°C (°F) -40(-40)~105(221)			
Stripping length	mm 11-13			
Color	Yellow green mixed color			
Accessories				
Ferrule	/			
Slotted screwdriver size (Blade thickness x Width)	mm 0.6x3.5			
Bridge (2-10P)	 DFB2-6.2 DFB3-6.2 DFB4-6.2 DFB5-6.2 DFB6-6.2 DFB7-6.2 DFB8-6.2 DFB9-6.2 DFB10-6.2			
End cover	 D-DSKK4			
Partition plate	 ATP-DS / ATP-PC N			
Cover profile	 AP3-COVER / AP3-T / AP3-T-KS			
Top marker	/			
Side marker	 ZK6 / ZSF6			
Marker support	 DMTH5-2 / DMTH5-3			
Terminal strip marker support	 DLM2 / KLM3-20x8 / KLM3-44x8			
End clamp	 E-PC 1100A / E-WS N			
End cap	 NS35/7.5-CAP NS35/15-CAP			



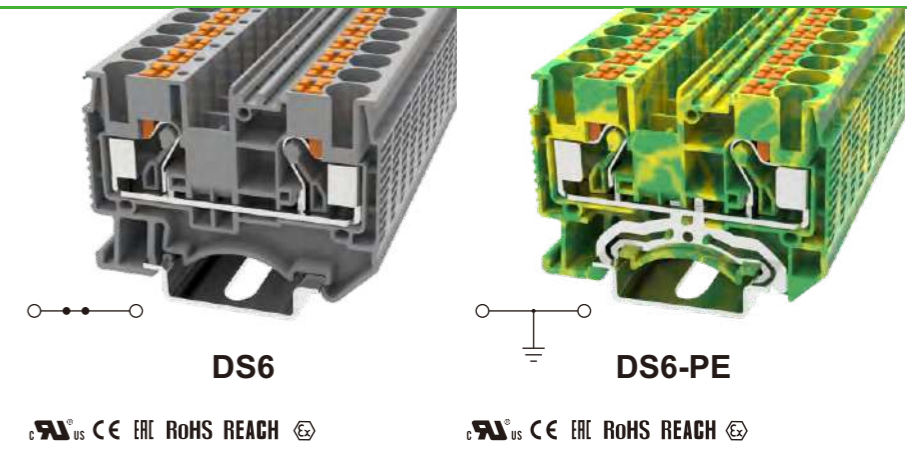
Description	Part No.	Remark
① Marker carrier	KLM3-20x8-11-00A(H)	Suitable for E-PC-1100A(H) & E-WS N
② End Clamp	E-WS N-01P-11-00A(H)	Fixing products on NS35 DIN rail
③ End cover	D-DS6-01P-11-00A(H)	End cover is used for DS6&DS6-PE
④ Pluggable bridges	DFB2-8.2-16-00A(H)	02P bridge, use for DS6 series
⑤ Pluggable bridges	DFB4-8.2-16-00A(H)	04P bridge, use for DS6 series
⑥ Marker	ZB8-10P-19-00A(H)	Marker is used for the top of DS6 series
⑦ End cover	D-DS6-TW-01P-11-00A(H)	End cover is used for DS6-TW&DS6-TW-PE
⑧ Pluggable bridges	DFB4-8.2-16-00A(H)	04P bridge, use for DS6 series
⑨ End Clamp	E-WS N-01P-11-00A(H)	Fixing products on NS35 DIN rail
⑩ DIN rail	NS35/7.5-0150-00A(H)	NS35 DIN rail

Circuit diagram



Push-in connection technology

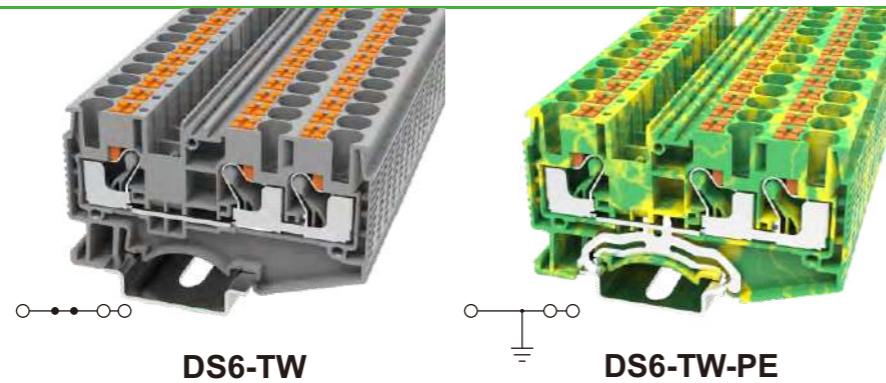
Feed-through, multi-conductor and ground terminal blocks



Order NO.	11040000052	11040000060
Width/Length/Height(NS35/7.5&NS35/15) mm	8.2/58/43.5(51)	8.2/58/43.5(51)
Electrical Data	IEC IEC60947-7-1	UL UL1059
Rated voltage V	1000	600
Rated current A	41	50
Rated cross section mm ² /AWG	0.5-10	20-8
Connection capacity	Solid Stranded Ferrule (with and without plastic sleeve)	Solid Stranded Ferrule (with and without plastic sleeve)
1 conductor mm ²	0.5-10 0.5-10 0.5-6 0.5-6	0.5-10 0.5-10 0.5-6 0.5-6
2 flexible conductors with a TWIN ferrule mm ²	- - - 0.5-2.5	- - - 0.5-2.5
General Information		
Insulation material/Flammability rating (according to UL 94)	PA/V0	PA/V0
Operation temperatures °C (°F)	-40(-40)~105(221)	-40(-40)~105(221)
Stripping length mm	10-12	10-12
Color	Grey, Red, Blue (please contact sales for other color requirements)	Yellow green mixed color
Accessories		
Ferrule	/	/
Slotted screwdriver size (Blade thickness x Width) mm	0.8x4	0.8x4
Bridge (2-10P)	DFB2-8.2 DFB3-8.2 DFB4-8.2 DFB5-8.2 DFB6-8.2 DFB7-8.2 DFB8-8.2 DFB9-8.2 DFB10-8.2	/
End cover	D-DS6	D-DS6
Partition plate	ATP-DS / ATP-PC N	ATP-DS / ATP-PC N
Cover profile	AP3-COVER / AP3-T / AP3-T-KS	AP3-COVER / AP3-T / AP3-T-KS
Top marker	ZB8 / ZS8	ZB8 / ZS8
Side marker	ZSF8	ZSF8
Marker support	/	/
Terminal strip marker support	DLM2 / KLM3-20x8 / KLM3-44x8	DLM2 / KLM3-20x8 / KLM3-44x8
End clamp	E-PC 1100A / E-WS N	E-PC 1100A / E-WS N
End cap	NS35/7.5-CAP NS35/15-CAP	NS35/7.5-CAP NS35/15-CAP

Push-in connection technology

Feed-through, multi-conductor and ground terminal blocks



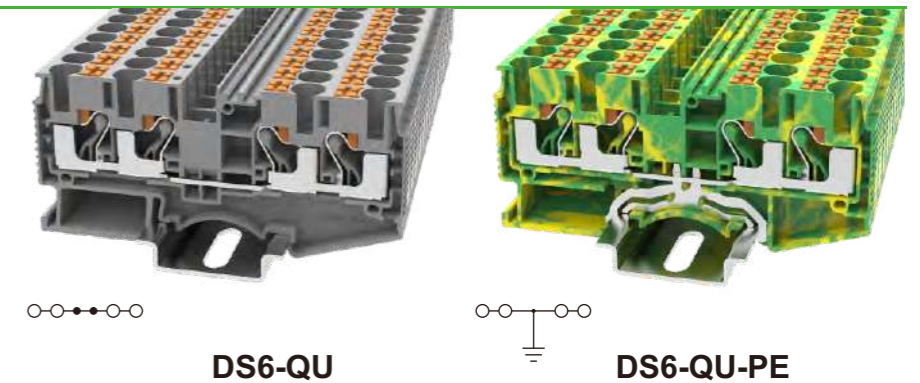
CE ENEC RoHS REACH

UL US CE ENEC RoHS REACH

Order NO.	11040000091	11040000147
Width/Length/Height(NS35/7.5&NS35/15) mm	8.2/74.2/43.5(51)	8.2/74.2/43.5(51)
Electrical Data	IEC IEC60947-7-1 UL UL1059	IEC IEC60947-7-2 UL UL1059
Rated voltage V	1000 600	/ /
Rated current A	41 40	/ /
Rated cross section mm ² /AWG	0.5-10 20-8	0.5-10 20-8
Connection capacity	Solid Stranded Ferrule (with and without plastic sleeve)	Solid Stranded Ferrule (with and without plastic sleeve)
1 conductor mm ²	0.5-10 0.5-10 0.5-6 0.5-6	0.5-10 0.5-10 0.5-6 0.5-6
2 flexible conductors with a TWIN ferrule mm ²	- - - 0.5-2.5	- - - 0.5-2.5
General Information		
Insulation material/Flammability rating (according to UL 94)	PA/V0	PA/V0
Operation temperatures °C (°F)	-40(-40)~105(221)	-40(-40)~105(221)
Stripping length mm	10-12	10-12
Color	Grey, Red, Blue (please contact sales for other color requirements)	Yellow green mixed color
Accessories		
Ferrule	/	/
Slotted screwdriver size (Blade thickness x Width) mm	0.8x4	0.8x4
Bridge (2-10P)	DFB2-8.2 DFB3-8.2 DFB4-8.2 DFB5-8.2 DFB6-8.2 DFB7-8.2 DFB8-8.2 DFB9-8.2 DFB10-8.2	/
End cover	D-DS6-TW	D-DS6-TW
Partition plate	ATP-DS / ATP-PC N	ATP-DS / ATP-PC N
Cover profile	AP3-COVER / AP3-T / AP3-T-KS	AP3-COVER / AP3-T / AP3-T-KS
Top marker	ZB8 / ZS8	ZB8 / ZS8
Side marker	ZSF8	ZSF8
Marker support	/	/
Terminal strip marker support	DLM2 / KLM3-20x8 / KLM3-44x8	DLM2 / KLM3-20x8 / KLM3-44x8
End clamp	E-PC 1100A / E-WS N	E-PC 1100A / E-WS N
End cap	NS35/7.5-CAP NS35/15-CAP	NS35/7.5-CAP NS35/15-CAP

Push-in connection technology

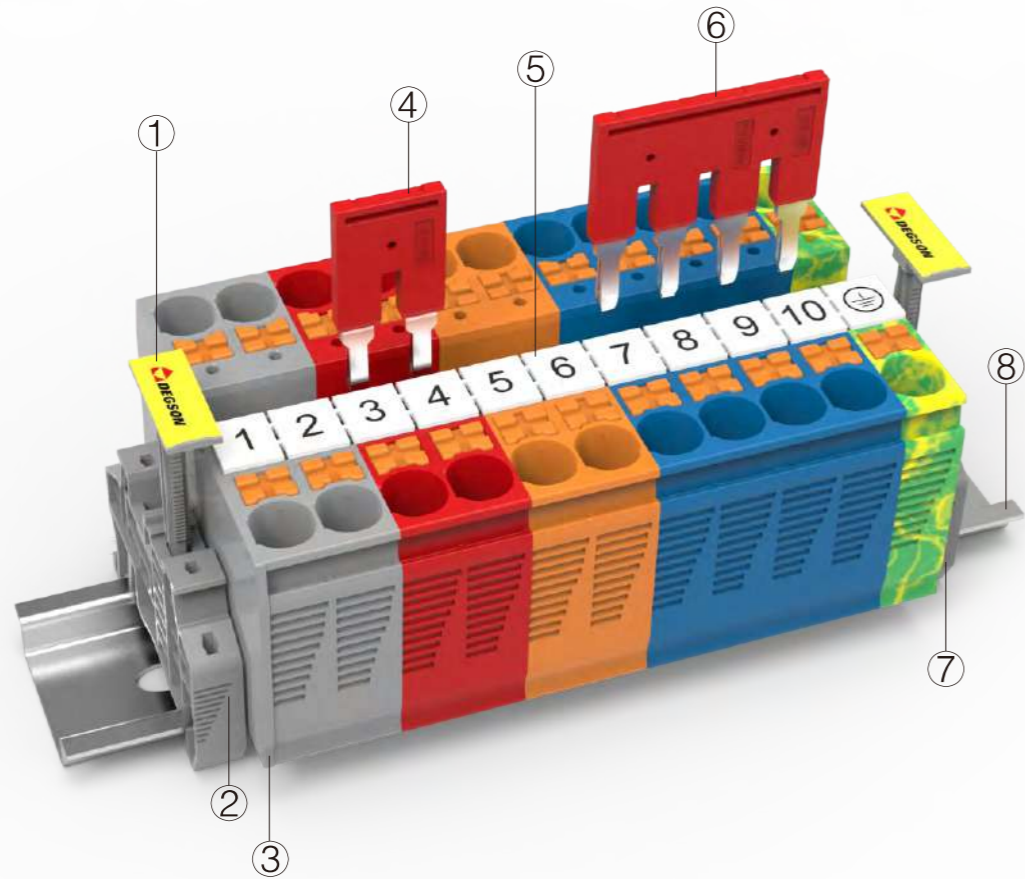
Feed-through, multi-conductor and ground terminal blocks



CE ENEC RoHS REACH

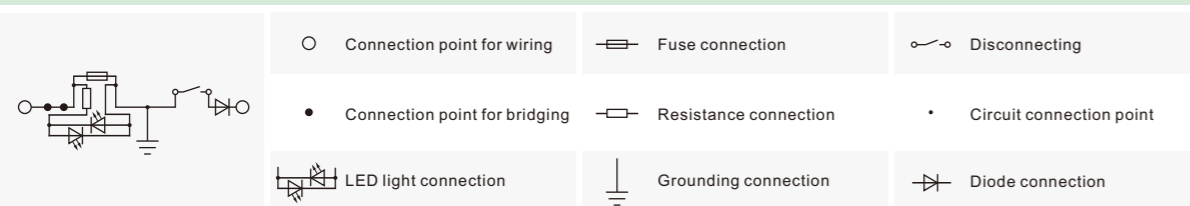
UL US CE ENEC RoHS REACH

Order NO.	11040000145	11040000146
Width/Length/Height(NS35/7.5&NS35/15) mm	8.2/90.4/43.5(51)	8.2/90.4/43.5(51)
Electrical Data	IEC IEC60947-7-1 UL UL1059	IEC IEC60947-7-2 UL UL1059
Rated voltage V	1000 600	/ /
Rated current A	41 40	/ /
Rated cross section mm ² /AWG	0.5-10 20-8	0.5-10 20-8
Connection capacity	Solid Stranded Ferrule (with and without plastic sleeve)	Solid Stranded Ferrule (with and without plastic sleeve)
1 conductor mm ²	0.5-10 0.5-10 0.5-6 0.5-6	0.5-10 0.5-10 0.5-6 0.5-6
2 flexible conductors with a TWIN ferrule mm ²	- - - 0.5-2.5	- - - 0.5-2.5
General Information		
Insulation material/Flammability rating (according to UL 94)	PA/V0	PA/V0
Operation temperatures °C (°F)	-40(-40)~105(221)	-40(-40)~105(221)
Stripping length mm	12	12
Color	Grey, Red, Blue (please contact sales for other color requirements)	Yellow green mixed color
Accessories		
Ferrule	/	/
Slotted screwdriver size (Blade thickness x Width) mm	0.8x4	0.8x4
Bridge (2-10P)	DFB2-8.2 DFB3-8.2 DFB4-8.2 DFB5-8.2 DFB6-8.2 DFB7-8.2 DFB8-8.2 DFB9-8.2 DFB10-8.2	/
End cover	D-DS6-QU	D-DS6-QU
Partition plate	ATP-DS / ATP-PC N	ATP-DS / ATP-PC N
Cover profile	AP3-COVER / AP3-T / AP3-T-KS	AP3-COVER / AP3-T / AP3-T-KS
Top marker	ZB8 / ZS8	ZB8 / ZS8
Side marker	ZSF8	ZSF8
Marker support	/	/
Terminal strip marker support	DLM2 / KLM3-20x8 / KLM3-44x8	DLM2 / KLM3-20x8 / KLM3-44x8
End clamp	E-PC 1100A / E-WS N	E-PC 1100A / E-WS N
End cap	NS35/7.5-CAP NS35/15-CAP	NS35/7.5-CAP NS35/15-CAP



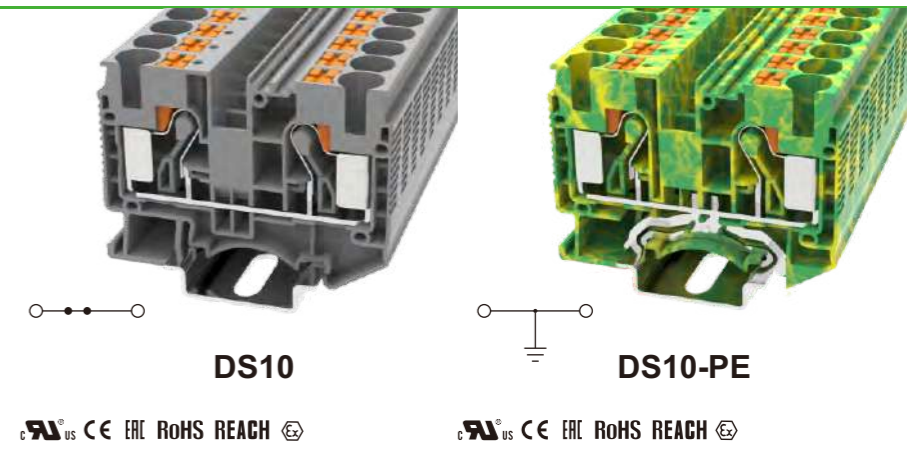
Description	Part No.	Remark
① Marker carrier	KLM3-20x8-11-00A(H)	Suitable for E-PC-1100A(H) & E-WS N
② End Clamp	E-WS N-01P-11-00A(H)	Fixing products on NS35 DIN rail
③ End cover	D-DS10-01P-11-00A(H)	End cover is used for DS10&DS10-PE
④ Pluggable bridges	DFB2-10.2-16-00A(H)	02P bridge, use for DS10 series
⑤ Marker	ZB10-10P-19-00A(H)	Marker is used for the top of DS10 series
⑥ Pluggable bridges	DFB4-10.2-16-00A(H)	04P bridge, use for DS10 series
⑦ End Clamp	E-WS N-01P-11-00A(H)	Fixing products on NS35 DIN rail
⑧ DIN rail	NS35/7.5-0150-00A(H)	NS35 DIN rail

Circuit diagram



Push-in connection technology

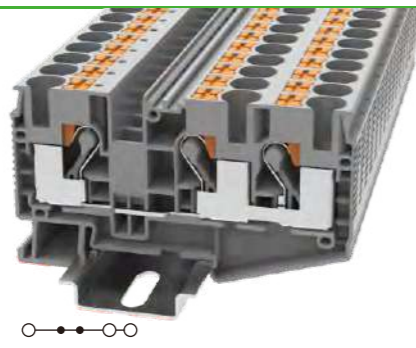
Feed-through, multi-conductor and ground terminal blocks



Order NO.	1104000001	1104000009
Width/Length/Height(NS35/7.5&NS35/15) mm	10.2/67.7/51.1(58.6)	10.2/67.7/51.1(58.6)
Electrical Data	IEC IEC60947-7-1	UL UL1059
Rated voltage V	1000	600
Rated current A	57	65
Rated cross section mm ² /AWG	0.5-16	20-6
Connection capacity	Solid Stranded Ferrule (with and without plastic sleeve)	Solid Stranded Ferrule (with and without plastic sleeve)
1 conductor mm ²	0.5-16 0.5-10 0.5-10 0.5-10	0.5-16 0.5-10 0.5-10 0.5-10
2 flexible conductors with a TWIN ferrule mm ²	- - - 1.5-4	- - - 1.5-4
General Information		
Insulation material/Flammability rating (according to UL 94)	PA/V0	PA/V0
Operation temperatures °C (°F)	-40(-40)~105(221)	-40(-40)~105(221)
Stripping length mm	16-18	16-18
Color	Grey, Red, Blue (please contact sales for other color requirements)	Yellow green mixed color
Accessories		
Ferrule	/	/
Slotted screwdriver size (Blade thickness x Width) mm	1x5.5	1x5.5
Bridge (2-10P)	DFB2-10.2 DFB3-10.2 DFB4-10.2 DFB5-10.2 DFB6-10.2 DFB7-10.2 DFB8-10.2 DFB9-10.2 DFB10-10.2	/
End cover	D-DS10	D-DS10
Partition plate	ATP-DS / ATP-PC N	ATP-DS / ATP-PC N
Cover profile	AP3-COVER / AP3-T / AP3-T-KS	AP3-COVER / AP3-T / AP3-T-KS
Top marker	ZB10 / ZS10	ZB10 / ZS10
Side marker	ZSF10	ZSF10
Marker support	/	/
Terminal strip marker support	DLM2 / KLM3-20x8 / KLM3-44x8	DLM2 / KLM3-20x8 / KLM3-44x8
End clamp	E-PC 1100A / E-WS N	E-PC 1100A / E-WS N
End cap	NS35/7.5-CAP NS35/15-CAP	NS35/7.5-CAP NS35/15-CAP

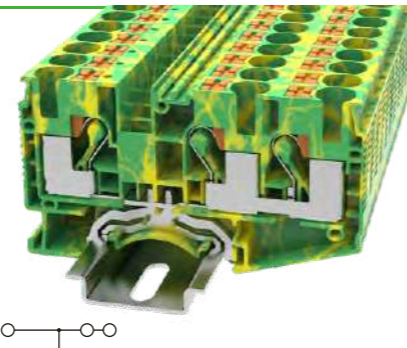
Push-in connection technology

Feed-through, multi-conductor and ground terminal blocks



DS10-TW

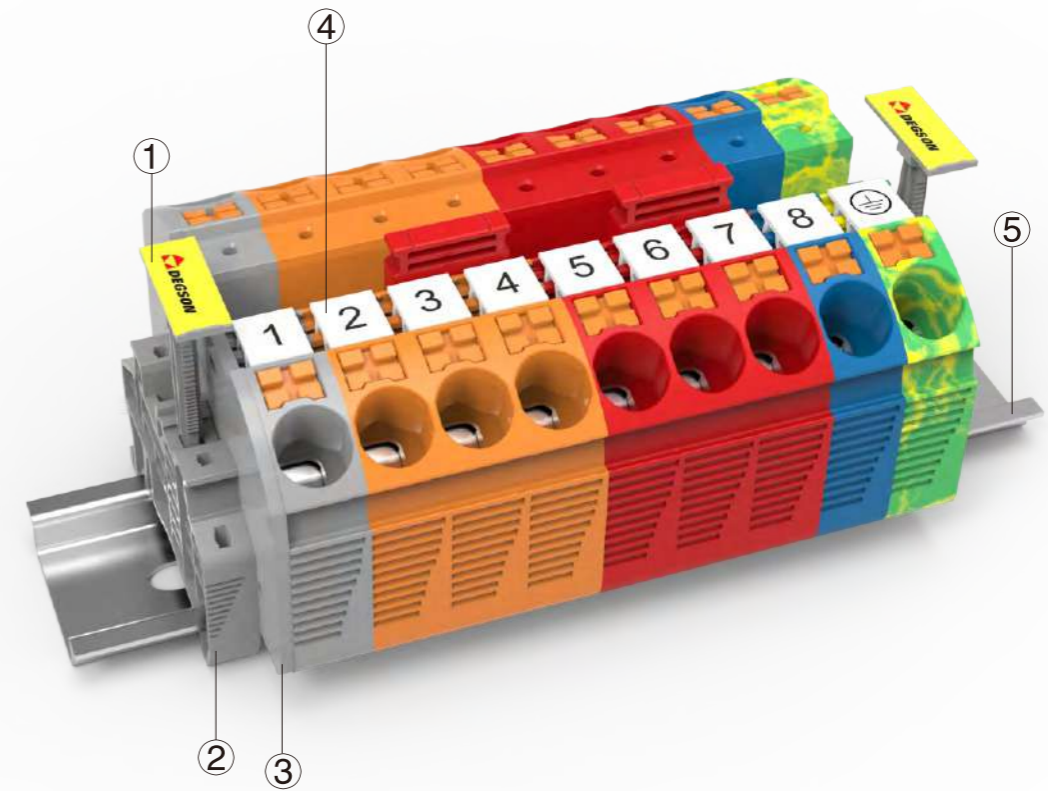
CE ENEC RoHS REACH



DS10-TW-PE

UL CE ENEC RoHS REACH

Order NO.	11040000148				11040000149				
Width/Length/Height(NS35/7.5&NS35/15)	mm 10.2/88.9/51.1(58.6)				mm 10.2/88.9/51.1(58.6)				
Electrical Data	IEC IEC60947-7-1		UL UL1059		IEC IEC60947-7-2		UL UL1059		
Rated voltage	V	1000	600	/	/	/	/	/	
Rated current	A	57	60	/	/	/	/	/	
Rated cross section	mm ² /AWG	0.5-16	20-6	0.5-16	20-6	0.5-16	20-6	20-6	
Connection capacity		Solid	Stranded	Ferrule (with and without plastic sleeve)	Solid	Stranded	Ferrule (with and without plastic sleeve)	Solid	
1 conductor	mm ²	0.5-16	0.5-10	0.5-10	0.5-10	0.5-10	0.5-10	0.5-10	
2 flexible conductors with a TWIN ferrule	mm ²	-	-	1.5-4	-	-	-	1.5-4	
General Information									
Insulation material/Flammability rating (according to UL 94)	PA/V0				PA/V0				
Operation temperatures	°C (°F)	-40(-40)~105(221)				-40(-40)~105(221)			
Stripping length	mm	16-18				16-18			
Color		Grey, Red, Blue (please contact sales for other color requirements)				Yellow green mixed color			
Accessories									
Ferrule		/				/			
Slotted screwdriver size (Blade thickness x Width)	mm	1x5.5				1x5.5			
Bridge (2-10P)		DFB2-10.2 DFB3-10.2 DFB4-10.2 DFB5-10.2 DFB6-10.2 DFB7-10.2 DFB8-10.2 DFB9-10.2 DFB10-10.2				/			
End cover		D-DS10-TW				D-DS10-TW			
Partition plate		ATP-DS / ATP-PC N				ATP-DS / ATP-PC N			
Cover profile		AP3-COVER / AP3-T / AP3-T-KS				AP3-COVER / AP3-T / AP3-T-KS			
Top marker		ZB10 / ZS10				ZB10 / ZS10			
Side marker		ZSF10				ZSF10			
Marker support		/				/			
Terminal strip marker support		DLM2 / KLM3-20x8 / KLM3-44x8				DLM2 / KLM3-20x8 / KLM3-44x8			
End clamp		E-PC 1100A / E-WS N				E-PC 1100A / E-WS N			
End cap		NS35/7.5-CAP NS35/15-CAP				NS35/7.5-CAP NS35/15-CAP			



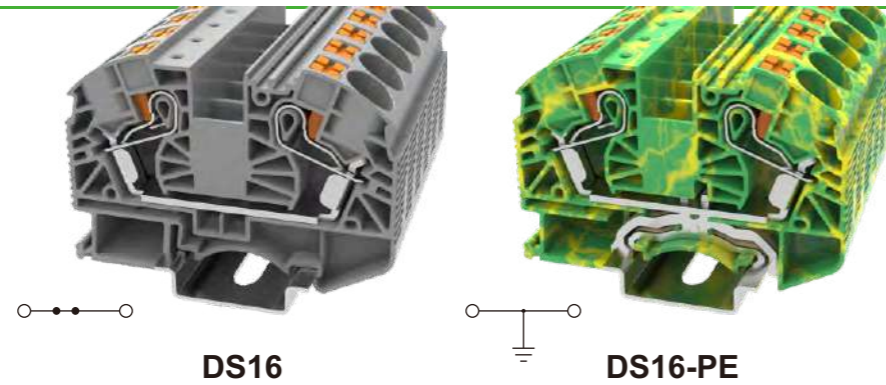
Description	Part No.	Remark
① Marker carrier	KLM3-20x8-11-00A(H)	Suitable for E-PC-1100A(H) & E-WS N
② End Clamp	E-WS N-01P-11-00A(H)	Fixing products on NS35 DIN rail
③ End cover	D-DS16-01P-11-00A(H)	End cover is used for DS16&DS16-PE
④ Marker	ZT12-10P-19-00A(H)	Marker is used for the top of DS16 series
⑤ DIN rail	NS35/7.5-0150-00A(H)	NS35 DIN rail

Circuit diagram

	○ Connection point for wiring		Fuse connection		Disconnecting
	● Connection point for bridging		Resistance connection		Circuit connection point
	LED light connection		Grounding connection		Diode connection

Push-in connection technology

Feed-through and ground terminal blocks



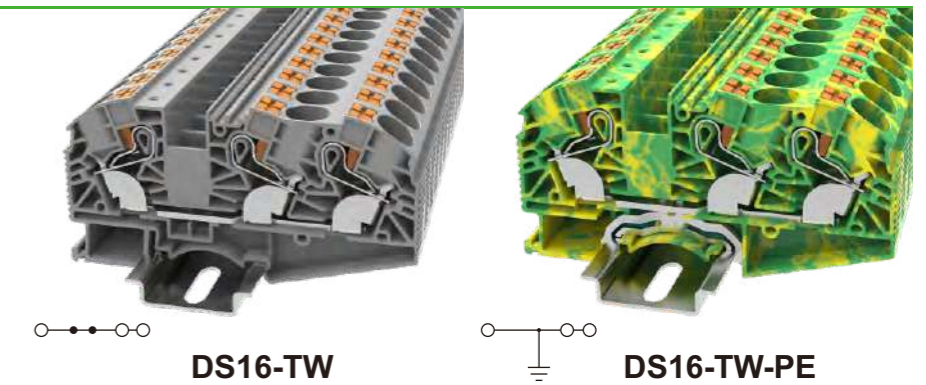
CE ENEC RoHS REACH

UL CE ENEC RoHS REACH

Order NO.	11040000069	11040000070
Width/Length/Height(NS35/7.5&NS35/15) mm	12.2/75.4/53.26(60.76)	12.2/75.4/53.26(60.76)
Electrical Data	IEC IEC60947-7-1 UL UL1059	IEC IEC60947-7-2 UL UL1059
Rated voltage V	1000 600	/ /
Rated current A	76 85	/ /
Rated cross section mm ² /AWG	0.5-25 20-4	0.5-25 20-4
Connection capacity	Solid Stranded Ferrule (with and without plastic sleeve)	Solid Stranded Ferrule (with and without plastic sleeve)
1 conductor mm ²	0.5-25 0.5-16 0.5-16 0.5-16	0.5-25 0.5-16 0.5-16 0.5-16
2 flexible conductors with a TWIN ferrule mm ²	- - - 1.5-4	- - - 1.5-4
General Information		
Insulation material/Flammability rating (according to UL 94)	PA/V0	PA/V0
Operation temperatures °C (°F)	-40(-40)~105(221)	-40(-40)~105(221)
Stripping length mm	18	18
Color	Grey, Red, Blue (please contact sales for other color requirements)	Yellow green mixed color
Accessories		
Ferrule	/	/
Slotted screwdriver size (Blade thickness x Width) mm	1x5.5	1x5.5
Bridge (2P)	DFB2-12.2	/
End cover	D-DS16	D-DS16
Partition plate	ATP-DS / ATP-PC N	ATP-DS / ATP-PC N
Cover profile	AP3-COVER / AP3-T / AP3-T-KS	AP3-COVER / AP3-T / AP3-T-KS
Top marker	ZT12 / ZS12	ZT12 / ZS12
Side marker	ZSF12	ZSF12
Marker support	/	/
Terminal strip marker support	DLM2 / KLM3-20x8 / KLM3-44x8	DLM2 / KLM3-20x8 / KLM3-44x8
End clamp	E-PC 1100A / E-WS N	E-PC 1100A / E-WS N
End cap	NS35/7.5-CAP NS35/15-CAP	NS35/7.5-CAP NS35/15-CAP

Push-in connection technology

Feed-through and ground terminal blocks



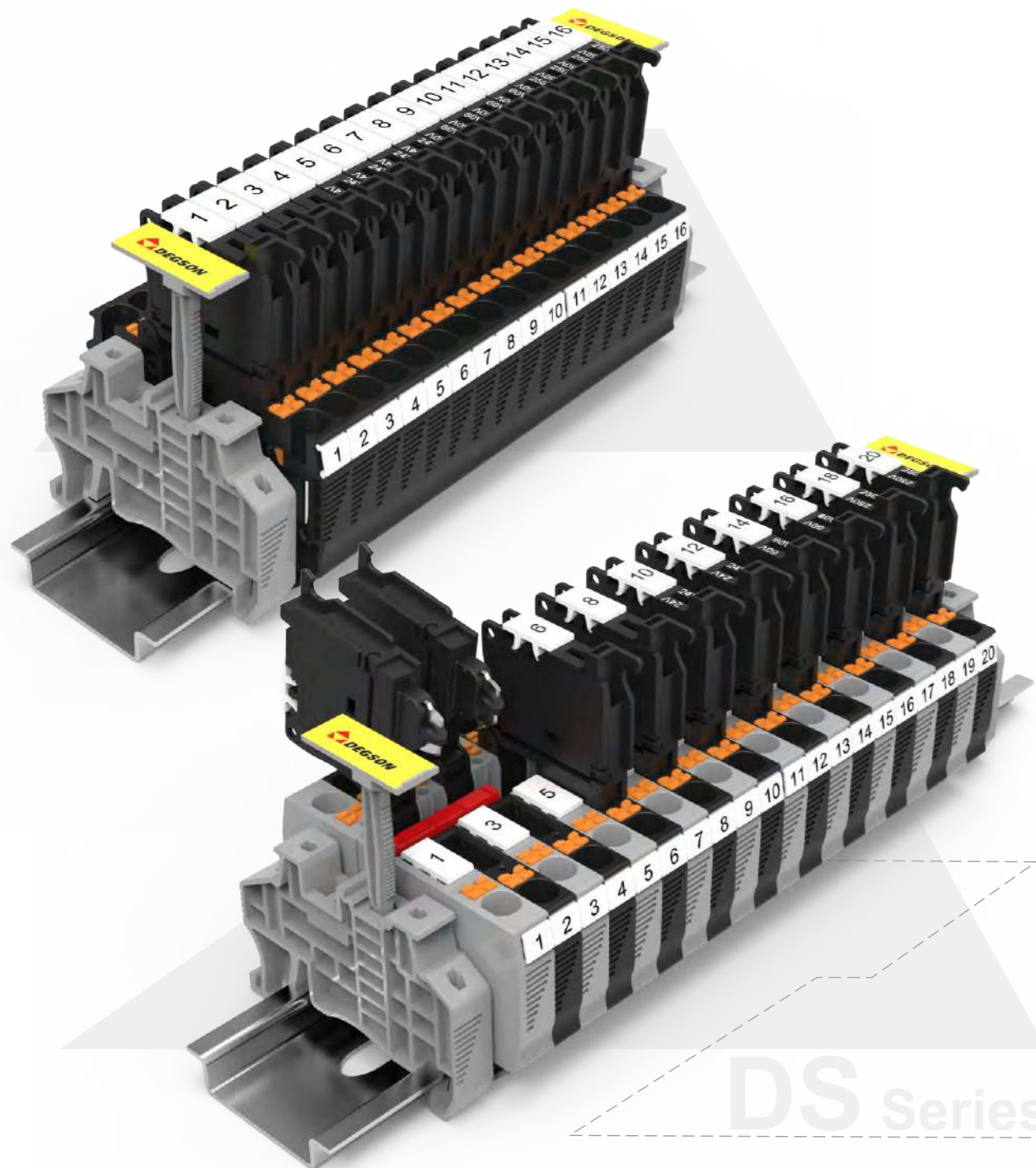
CE ENEC RoHS REACH

UL CE ENEC RoHS REACH

Order NO.	11040000193	11040000192
Width/Length/Height(NS35/7.5&NS35/15) mm	12.2/100.4/53.25 (60.75)	12.2/100.4/53.25 (60.75)
Electrical Data	IEC IEC60947-7-1 UL UL1059	IEC IEC60947-7-2 UL UL1059
Rated voltage V	1000 600	/ /
Rated current A	76 85	/ /
Rated cross section mm ² /AWG	0.5-25 20-4	0.5-25 20-4
Connection capacity	Solid Stranded Ferrule (with and without plastic sleeve)	Solid Stranded Ferrule (with and without plastic sleeve)
1 conductor mm ²	0.5-25 0.5-16 0.5-16 0.5-16	0.5-25 0.5-16 0.5-16 0.5-16
2 flexible conductors with a TWIN ferrule mm ²	- - - 1.5-4	- - - 1.5-4
General Information		
Insulation material/Flammability rating (according to UL 94)	PA/V0	PA/V0
Operation temperatures °C (°F)	-40(-40)~105(221)	-40(-40)~105(221)
Stripping length mm	18	18
Color	Grey, Red, Blue (please contact sales for other color requirements)	Yellow green mixed color
Accessories		
Ferrule	/	/
Slotted screwdriver size (Blade thickness x Width) mm	1x5.5	1x5.5
Bridge (2P)	DFB2-12.2	/
End cover	D-DS16-TW	D-DS16-TW
Partition plate	ATP-DS / ATP-PC N	ATP-DS / ATP-PC N
Cover profile	AP3-COVER / AP3-T / AP3-T-KS	AP3-COVER / AP3-T / AP3-T-KS
Top marker	ZT12 / ZS12	ZT12 / ZS12
Side marker	ZSF12	ZSF12
Marker support	/	/
Terminal strip marker support	DLM2 / KLM3-20x8 / KLM3-44x8	DLM2 / KLM3-20x8 / KLM3-44x8
End clamp	E-PC 1100A / E-WS N	E-PC 1100A / E-WS N
End cap	NS35/7.5-CAP NS35/15-CAP	NS35/7.5-CAP NS35/15-CAP

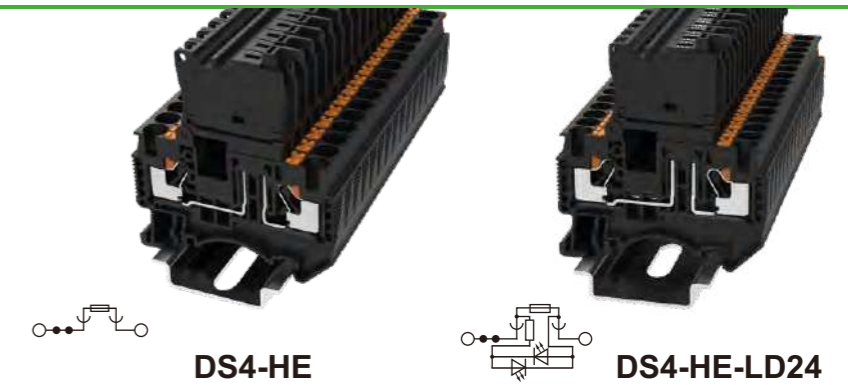
DS Fuse Terminal Blocks

- DS Fuse terminal blocks can reach tool free wiring with the Push-in connection technology; Easy to remove the cable by push the orange button
- Snap-on fuse box for easy fuse replacement
- Equipped with LED indicator for quick identification of fusing status
- Double-channel bridging design and 2-20 poles bridges reach the flexible distribution of potentials
- Equipped with test hole on the wiring position, easy to test the circuit



Push-in connection technology

Fuse terminal blocks



CE ENEC RoHS REACH

CE ENEC RoHS REACH

Order NO.	11040000163				11040000162							
Width/Length/Height(NS35/7.5&NS35/15)	mm				6.2/55.6/36.8(44.3)				6.2/55.6/36.8(44.3)			
Electrical Data	IEC IEC60947-7-3				UL UL1059				IEC IEC60947-7-3			
Rated voltage	V				400				300			
Rated current	A				6.3				6.3			
Rated cross section	mm ² / AWG				0.2-6				24-10			
Connection capacity					Solid Stranded Ferrule (with and without plastic sleeve)				Solid Stranded Ferrule (with and without plastic sleeve)			
1 conductor	mm ²				0.2-6				0.2-4 0.2-4 0.2-4			
2 flexible conductors with a TWIN ferrule	mm ²				-				-			
General Information												
Insulation material/Flammability rating (according to UL 94)					PA/V0				PA/V0			
Operation temperatures	°C (°F)				-40(-40)~105(221)				-40(-40)~105(221)			
Stripping length	mm				11-13				11-13			
Color					Black (please contact sales for other color requirements)				Black (please contact sales for other color requirements)			
Accessories												
Ferrule					/				/			
Slotted screwdriver size (Blade thickness x Width)	mm				0.6x3.5				0.6x3.5			
Bridge (2-10P)					DFB2-6.2 DFB3-6.2 DFB4-6.2 DFB5-6.2 DFB6-6.2 DFB7-6.2 DFB8-6.2 DFB9-6.2 DFB10-6.2				DFB2-6.2 DFB3-6.2 DFB4-6.2 DFB5-6.2 DFB6-6.2 DFB7-6.2 DFB8-6.2 DFB9-6.2 DFB10-6.2			
End cover					D-DS4-HE				D-DS4-HE			
Partition plate					ATP-DS / ATP-PC N				ATP-DS / ATP-PC N			
Cover profile					AP3-COVER / AP3-T / AP3-T-KS				AP3-COVER / AP3-T / AP3-T-KS			
Top marker					ZB6 / ZS6				ZB6 / ZS6			
Side marker					ZK6 / ZSF6				ZK6 / ZSF6			
Marker support					/				/			
Terminal strip marker support					DLM2 / KLM3-20x8 / KLM3-44x8				DLM2 / KLM3-20x8 / KLM3-44x8			
End clamp					E-PC 1100A / E-WS N				E-PC 1100A / E-WS N			
End cap					NS35/7.5-CAP NS35/15-CAP				NS35/7.5-CAP NS35/15-CAP			

Push-in connection technology

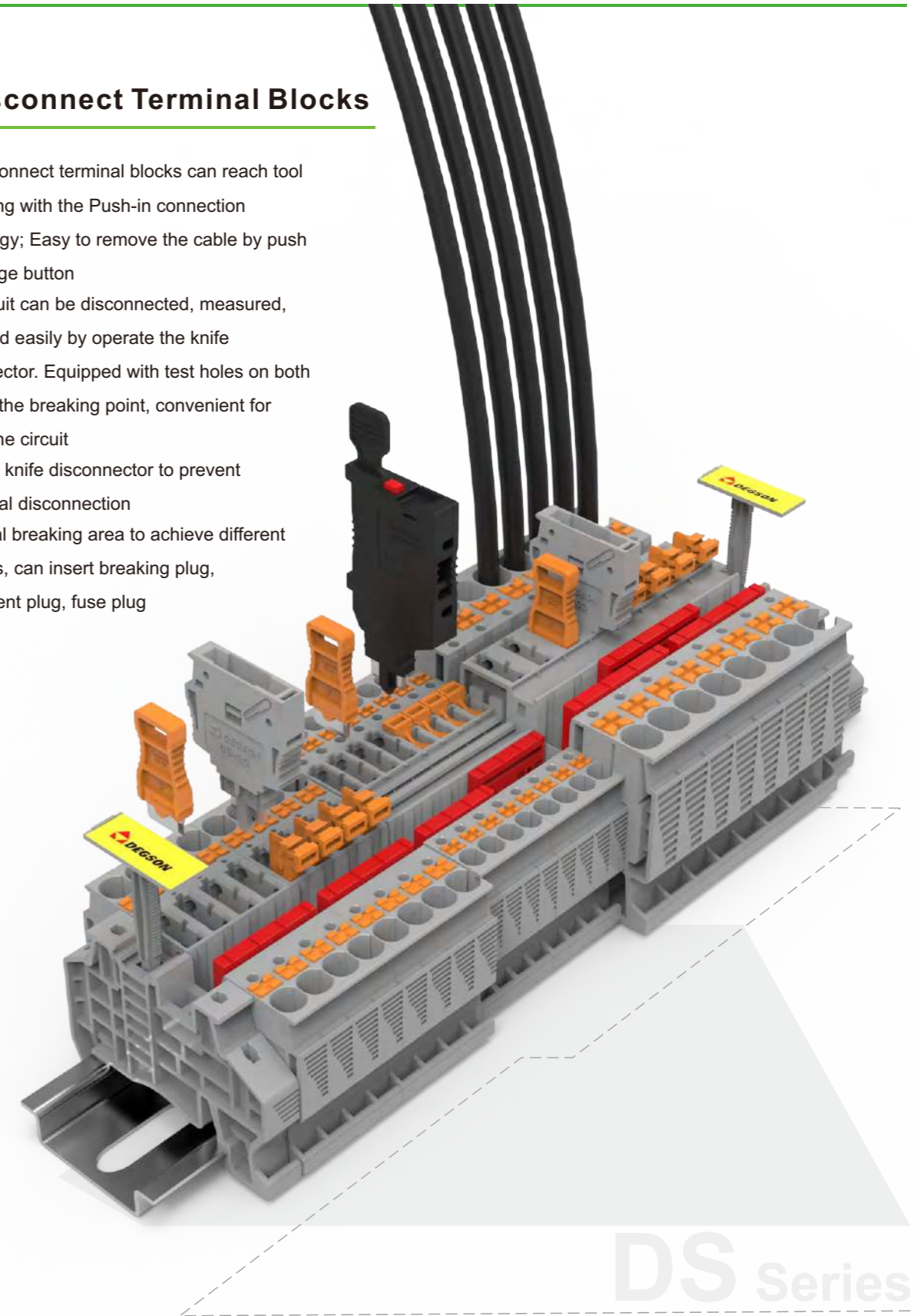
Fuse terminal blocks



Order NO.	11040000191	11040000164
Width/Length/Height(NS35/7.5&NS35/15) mm	6.2/55.6/36.8(44.3)	6.2/55.6/36.8(44.3)
Electrical Data	IEC IEC60947-7-3	IEC IEC60947-7-3
Rated voltage V	60 (Led voltage range 30-60V)	250 (Led voltage range 110-250V)
Rated current A	6.3	6.3
Rated cross section mm ² /AWG	0.2-6 24-10	0.2-6 24-10
Connection capacity	Solid Stranded Ferrule (with and without plastic sleeve)	Solid Stranded Ferrule (with and without plastic sleeve)
1 conductor mm ²	0.2-6 0.2-4 0.2-4 0.2-4	0.2-6 0.2-4 0.2-4 0.2-4
2 flexible conductors with a TWIN ferrule mm ²	— — — 0.5-1	— — — 0.5-1
General Information		
Insulation material/Flammability rating (according to UL 94)	PA/V0	PA/V0
Operation temperatures °C (°F)	-40(-40)~105(221)	-40(-40)~105(221)
Stripping length mm	11-13	11-13
Color	Black (please contact sales for other color requirements)	Black (please contact sales for other color requirements)
Accessories		
Ferrule	/	/
Slotted screwdriver size (Blade thickness x Width) mm	0.6x3.5	0.6x3.5
Bridge (2-10P)	DFB2-6.2 DFB3-6.2 DFB4-6.2 DFB5-6.2 DFB6-6.2 DFB7-6.2 DFB8-6.2 DFB9-6.2 DFB10-6.2	DFB2-6.2 DFB3-6.2 DFB4-6.2 DFB5-6.2 DFB6-6.2 DFB7-6.2 DFB8-6.2 DFB9-6.2 DFB10-6.2
End cover	D-DS4-HE	D-DS4-HE
Partition plate	ATP-DS / ATP-PC N	ATP-DS / ATP-PC N
Cover profile	AP3-COVER / AP3-T / AP3-T-KS	AP3-COVER / AP3-T / AP3-T-KS
Top marker	ZB6 / ZS6	ZB6 / ZS6
Side marker	ZK6 / ZSF6	ZK6 / ZSF6
Marker support	/	/
Terminal strip marker support	DLM2 / KLM3-20x8 / KLM3-44x8	DLM2 / KLM3-20x8 / KLM3-44x8
End clamp	E-PC 1100A / E-WS N	E-PC 1100A / E-WS N
End cap	NS35/7.5-CAP NS35/15-CAP	NS35/7.5-CAP NS35/15-CAP

DS Disconnect Terminal Blocks

- DS disconnect terminal blocks can reach tool free wiring with the Push-in connection technology; Easy to remove the cable by push the orange button
- The circuit can be disconnected, measured, controlled easily by operate the knife disconnecter. Equipped with test holes on both sides of the breaking point, convenient for testing the circuit
- Snap-on knife disconnecter to prevent accidental disconnection
- Universal breaking area to achieve different functions, can insert breaking plug, component plug, fuse plug



DS Series

Push-in connection technology

Disconnect terminal blocks


DS2.5-MT

DS2.5-TG

Order NO.	11040000201				11040000207			
Width/Length/Height(NS35/7.5&NS35/15)	mm 5.2/62/36.75(44.25)				mm 5.2/62/36.75(44.25)			
Electrical Data	IEC IEC60947-7-1		UL UL1059		IEC IEC60947-7-1		UL UL1059	
Rated voltage	V 400		V 300		V 400		V 300	
Rated current	A 20		A 20		A 20		A 20	
Rated cross section	mm ² /AWG 0.14-4		mm ² /AWG 26-12		mm ² /AWG 0.14-4		mm ² /AWG 26-12	
Connection capacity	Solid	Stranded	Ferrule (with and without plastic sleeve)		Solid	Stranded	Ferrule (with and without plastic sleeve)	
1 conductor	mm ² 0.14-4	mm ² 0.14-2.5	mm ² 0.14-2.5	mm ² 0.14-2.5	mm ² 0.14-4	mm ² 0.14-2.5	mm ² 0.14-2.5	mm ² 0.14-2.5
2 flexible conductors with a TWIN ferrule	mm ² -	mm ² -	mm ² -	mm ² 0.5	mm ² -	mm ² -	mm ² -	mm ² 0.5
General Information								
Insulation material/Flammability rating (according to UL 94)	PA/V0				PA/V0			
Operation temperatures	°C (°F) -40(-40)~105(221)				°C (°F) -40(-40)~105(221)			
Stripping length	mm 10-12				mm 10-12			
Color	Grey, Red, Blue (please contact sales for other color requirements)				Grey, Red, Blue (please contact sales for other color requirements)			
Accessories								
Matching accessories	/				DS-DI / DS-CO / DS-FU5 / DS-FU5-LD24			
Slotted screwdriver size (Blade thickness x Width)	mm 0.6x3.5				mm 0.6x3.5			
Bridge (2-10 20P)	DFB2-5.2 DFB3-5.2 DFB4-5.2 DFB5-5.2 DFB6-5.2 DFB7-5.2 DFB8-5.2 DFB9-5.2 DFB10-5.2 DFB20-5.2 DFBS2-5.2 DFBS3-5.2 DFBS10-5.2				DFB2-5.2 DFB3-5.2 DFB4-5.2 DFB5-5.2 DFB6-5.2 DFB7-5.2 DFB8-5.2 DFB9-5.2 DFB10-5.2 DFB20-5.2 DFBS2-5.2 DFBS3-5.2 DFBS10-5.2			
End cover	D-DS2.5-MT				D-DS2.5-MT			
Partition plate	ATP-DS / ATP-PC N				ATP-DS / ATP-PC N			
Cover profile	AP3-COVER / AP3-T / AP3-T-KS				AP3-COVER / AP3-T / AP3-T-KS			
Top marker	ZB5 / ZS5				ZB5 / ZS5			
Side marker	ZK5 / ZSF5				ZK5 / ZSF5			
Marker support	DTH5-25x5 / DTH5-25x12				/			
Terminal strip marker support	DLM2 / KLM3-20x8 / KLM3-44x8				DLM2 / KLM3-20x8 / KLM3-44x8			
End clamp	E-PC 1100A / E-WS N				E-PC 1100A / E-WS N			
End cap	NS35/7.5-CAP NS35/15-CAP				NS35/7.5-CAP NS35/15-CAP			

Push-in connection technology

Disconnect terminal blocks


DS2.5-TW-MT

DS2.5-TW-TG

Order NO.	11040000294				11040000296			
Width/Length/Height(NS35/7.5&NS35/15)	mm 5.2/73.7/36.8(44.3)				mm 5.2/73.7/36.8(44.3)			
Electrical Data	IEC IEC60947-7-1		UL UL1059		IEC IEC60947-7-1		UL UL1059	
Rated voltage	V 400		V 300		V 400		V 300	
Rated current	A 20		A 20		A 20		A 20	
Rated cross section	mm ² /AWG 0.14-4		mm ² /AWG 26-12		mm ² /AWG 0.14-4		mm ² /AWG 26-12	
Connection capacity	Solid	Stranded	Ferrule (with and without plastic sleeve)		Solid	Stranded	Ferrule (with and without plastic sleeve)	
1 conductor	mm ² 0.14-4	mm ² 0.14-2.5	mm ² 0.14-2.5	mm ² 0.14-2.5	mm ² 0.14-4	mm ² 0.14-2.5	mm ² 0.14-2.5	mm ² 0.14-2.5
2 flexible conductors with a TWIN ferrule	mm ² -	mm ² -	mm ² -	mm ² 0.5	mm ² -	mm ² -	mm ² -	mm ² 0.5
General Information								
Insulation material/Flammability rating (according to UL 94)	PA/V0				PA/V0			
Operation temperatures	°C (°F) -40(-40)~105(221)				°C (°F) -40(-40)~105(221)			
Stripping length	mm 10-12				mm 10-12			
Color	Grey, Red, Blue (please contact sales for other color requirements)				Grey, Red, Blue (please contact sales for other color requirements)			
Accessories								
Matching accessories	/				DS-DI / DS-CO / DS-FU5 / DS-FU5-LD24			
Slotted screwdriver size (Blade thickness x Width)	mm 0.6x3.5				mm 0.6x3.5			
Bridge (2-10 20P)	DFB2-5.2 DFB3-5.2 DFB4-5.2 DFB5-5.2 DFB6-5.2 DFB7-5.2 DFB8-5.2 DFB9-5.2 DFB10-5.2 DFB20-5.2 DFBS2-5.2 DFBS3-5.2 DFBS10-5.2				DFB2-5.2 DFB3-5.2 DFB4-5.2 DFB5-5.2 DFB6-5.2 DFB7-5.2 DFB8-5.2 DFB9-5.2 DFB10-5.2 DFB20-5.2 DFBS2-5.2 DFBS3-5.2 DFBS10-5.2			
End cover	D-DS2.5-TW-MT				D-DS2.5-TW-MT			
Partition plate	ATP-DS / ATP-PC N				ATP-DS / ATP-PC N			
Cover profile	AP3-COVER / AP3-T / AP3-T-KS				AP3-COVER / AP3-T / AP3-T-KS			
Top marker	ZB5 / ZS5				ZB5 / ZS5			
Side marker	ZK5 / ZSF5				ZK5 / ZSF5			
Marker support	DTH5-25x5 / DTH5-25x12				/			
Terminal strip marker support	DLM2 / KLM3-20x8 / KLM3-44x8				DLM2 / KLM3-20x8 / KLM3-44x8			
End clamp	E-PC 1100A / E-WS N				E-PC 1100A / E-WS N			
End cap	NS35/7.5-CAP NS35/15-CAP				NS35/7.5-CAP NS35/15-CAP			

Push-in connection technology

Disconnect terminal blocks


DS2.5-QU-MT

DS2.5-QU-TG

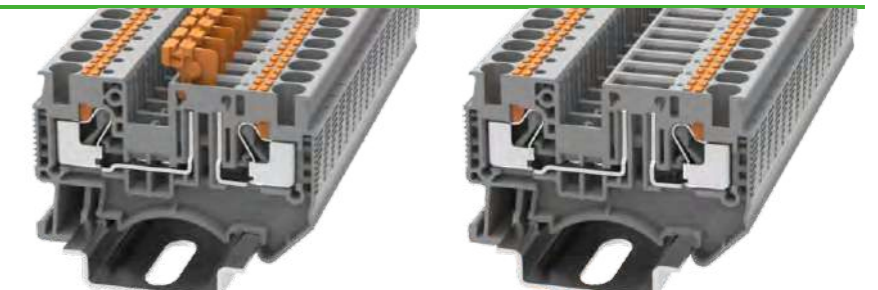
CE ERG RoHS REACH

CE ERG RoHS REACH

Order NO.	11040000295				11040000297			
Width/Length/Height(NS35/7.5&NS35/15)	mm 5.2/84/36.8(44.3)				mm 5.2/84/36.8(44.3)			
Electrical Data	IEC IEC60947-7-1		UL UL1059		IEC IEC60947-7-1		UL UL1059	
Rated voltage	V 400		300		V 400		300	
Rated current	A 20		20		A 20		20	
Rated cross section	mm ² /AWG 0.14-4		26-12		mm ² /AWG 0.14-4		26-12	
Connection capacity	Solid	Stranded	Ferrule (with and without plastic sleeve)		Solid	Stranded	Ferrule (with and without plastic sleeve)	
1 conductor	mm ² 0.14-4	0.14-2.5	0.14-2.5	0.14-2.5	mm ² 0.14-4	0.14-2.5	0.14-2.5	0.14-2.5
2 flexible conductors with a TWIN ferrule	mm ² -	-	-	0.5	mm ² -	-	-	0.5
General Information								
Insulation material/Flammability rating (according to UL 94)	PA/V0				PA/V0			
Operation temperatures	°C (°F) -40(-40)~105(221)				°C (°F) -40(-40)~105(221)			
Stripping length	mm 10-12				mm 10-12			
Color	Grey, Red, Blue (please contact sales for other color requirements)				Grey, Red, Blue (please contact sales for other color requirements)			
Accessories								
Matching accessories	/				DS-DI / DS-CO / DS-FU5 / DS-FU5-LD24			
Slotted screwdriver size (Blade thickness x Width)	mm 0.6x3.5				mm 0.6x3.5			
Bridge (2-10P)	DFB2-5.2 DFB3-5.2 DFB4-5.2 DFB5-5.2 DFB6-5.2 DFB7-5.2 DFB8-5.2 DFB9-5.2 DFB10-5.2 DFB20-5.2 DFBS2-5.2 DFBS3-5.2 DFBS10-5.2				DFB2-5.2 DFB3-5.2 DFB4-5.2 DFB5-5.2 DFB6-5.2 DFB7-5.2 DFB8-5.2 DFB9-5.2 DFB10-5.2 DFB20-5.2 DFBS2-5.2 DFBS3-5.2 DFBS10-5.2			
End cover	D-DS2.5-QU-MT				D-DS2.5-QU-MT			
Partition plate	ATP-DS / ATP-PC N				ATP-DS / ATP-PC N			
Cover profile	AP3-COVER / AP3-T / AP3-T-KS				AP3-COVER / AP3-T / AP3-T-KS			
Top marker	ZB5 / ZS5				ZB5 / ZS5			
Side marker	ZK5 / ZSF5				ZK5 / ZSF5			
Marker support	/				/			
Terminal strip marker support	DLM2 / KLM3-20x8 / KLM3-44x8				DLM2 / KLM3-20x8 / KLM3-44x8			
End clamp	E-PC 1100A / E-WS N				E-PC 1100A / E-WS N			
End cap	NS35/7.5-CAP NS35/15-CAP				NS35/7.5-CAP NS35/15-CAP			

Push-in connection technology

Disconnect terminal blocks


DS4-MT

DS4-TG

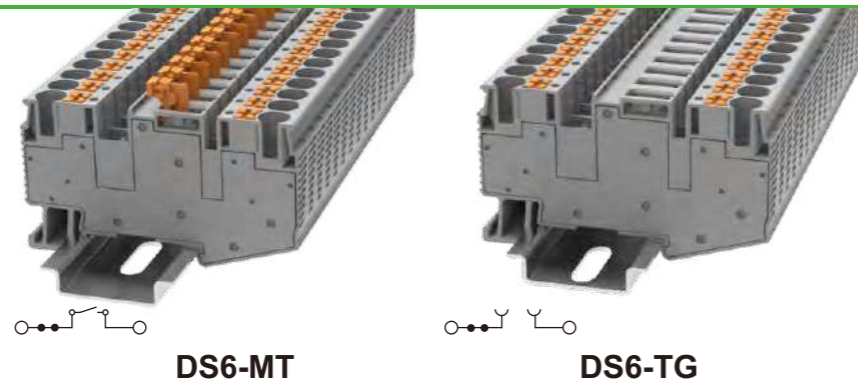
CE ERG RoHS REACH

CE ERG RoHS REACH

Order NO.	11040000213				11040000212			
Width/Length/Height(NS35/7.5&NS35/15)	mm 6.2/55.6/36.75(44.25)				mm 6.2/55.6/36.75(44.25)			
Electrical Data	IEC IEC60947-7-1		UL UL1059		IEC IEC60947-7-1		UL UL1059	
Rated voltage	V 500		300		V 500		300	
Rated current	A 20		20		A 20		20	
Rated cross section	mm ² /AWG 0.2-6		24-10		mm ² /AWG 0.2-6		24-10	
Connection capacity	Solid	Stranded	Ferrule (with and without plastic sleeve)		Solid	Stranded	Ferrule (with and without plastic sleeve)	
1 conductor	mm ² 0.2-6	0.2-4	0.2-4	0.2-4	mm ² 0.2-6	0.2-4	0.2-4	0.2-4
2 flexible conductors with a TWIN ferrule	mm ² -	-	-	0.5-1	mm ² -	-	-	0.5-1
General Information								
Insulation material/Flammability rating (according to UL 94)	PA/V0				PA/V0			
Operation temperatures	°C (°F) -40(-40)~105(221)				°C (°F) -40(-40)~105(221)			
Stripping length	mm 11-13				mm 11-13			
Color	Grey, Red, Blue (please contact sales for other color requirements)				Grey, Red, Blue (please contact sales for other color requirements)			
Accessories								
Matching accessories	/				DS-DI / DS-CO / DS-FU5 / DS-FU5-LD24			
Slotted screwdriver size (Blade thickness x Width)	mm 0.6x3.5				mm 0.6x3.5			
Bridge (2-10P)	DFB2-6.2 DFB3-6.2 DFB4-6.2 DFB5-6.2 DFB6-6.2 DFB7-6.2 DFB8-6.2 DFB9-6.2 DFB10-6.2				DFB2-6.2 DFB3-6.2 DFB4-6.2 DFB5-6.2 DFB6-6.2 DFB7-6.2 DFB8-6.2 DFB9-6.2 DFB10-6.2			
End cover	D-DS4-HE				D-DS4-HE			
Partition plate	ATP-DS / ATP-PC N				ATP-DS / ATP-PC N			
Cover profile	AP3-COVER / AP3-T / AP3-T-KS				AP3-COVER / AP3-T / AP3-T-KS			
Top marker	ZB6 / ZS6				ZB6 / ZS6			
Side marker	ZK6 / ZSF6				ZK6 / ZSF6			
Marker support	/				/			
Terminal strip marker support	DLM2 / KLM3-20x8 / KLM3-44x8				DLM2 / KLM3-20x8 / KLM3-44x8			
End clamp	E-PC 1100A / E-WS N				E-PC 1100A / E-WS N			
End cap	NS35/7.5-CAP NS35/15-CAP				NS35/7.5-CAP NS35/15-CAP			

Push-in connection technology

Disconnect terminal blocks



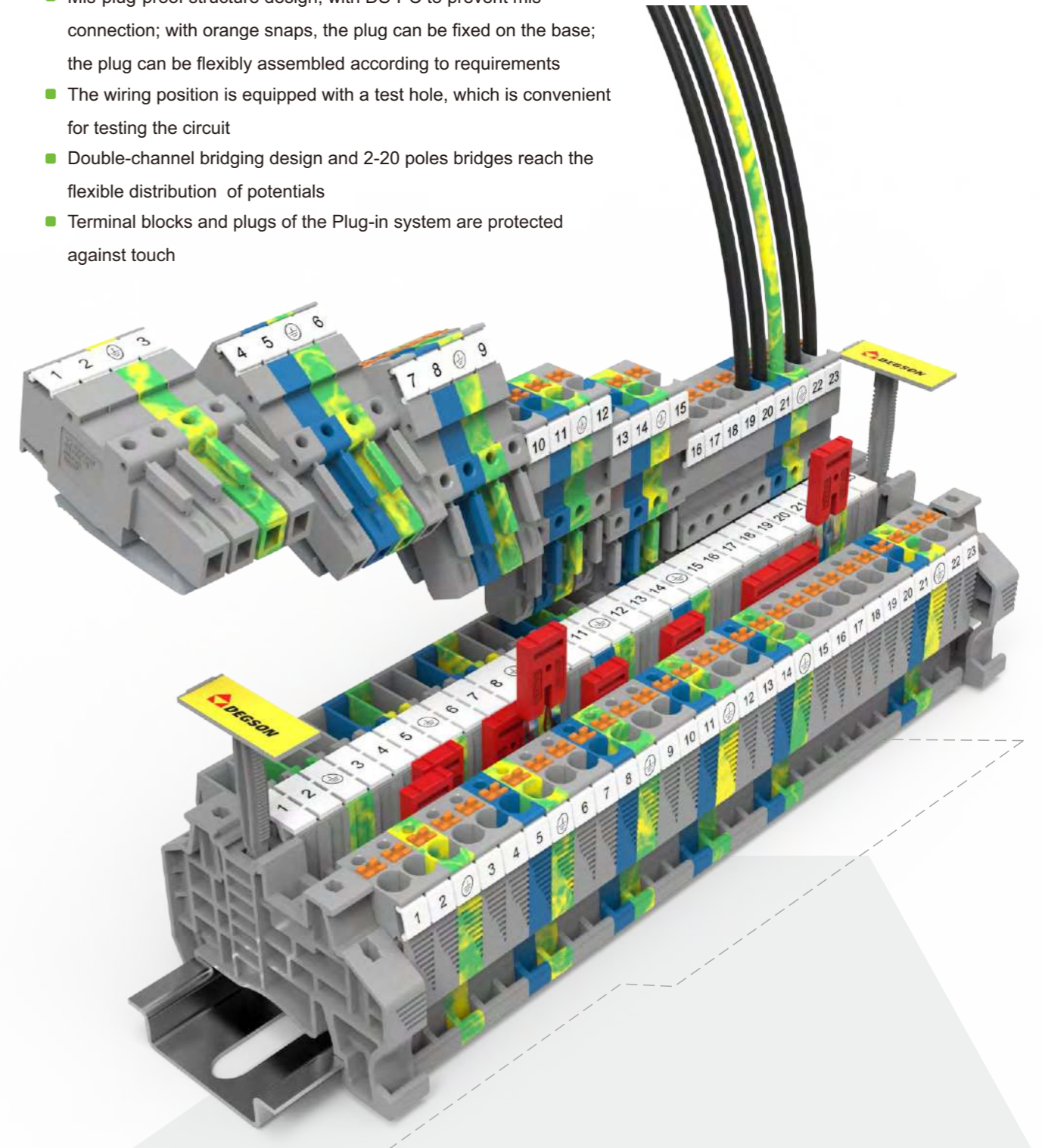
CE ERE RoHS REACH

CE ERE RoHS REACH

Order NO.	11040000205				11040000204			
Width/Length/Height(NS35/7.5&NS35/15)	mm 8.2/74.2/43.5(51)				mm 8.2/74.2/43.5(51)			
Electrical Data	IEC IEC60947-7-1		UL UL1059		IEC IEC60947-7-1		UL UL1059	
Rated voltage	V 500		300		V 500		300	
Rated current	A 20		20		A 20		20	
Rated cross section	mm ² /AWG 0.5-10		20-8		mm ² /AWG 0.5-10		20-8	
Connection capacity	Solid	Stranded	Ferrule (with and without plastic sleeve)		Solid	Stranded	Ferrule (with and without plastic sleeve)	
1 conductor	mm ² 0.5-10	0.5-6	0.5-6	0.5-6	mm ² 0.5-10	0.5-6	0.5-6	0.5-6
2 flexible conductors with a TWIN ferrule	mm ² -	-	-	0.5-2.5	mm ² -	-	-	0.5-2.5
General Information								
Insulation material/Flammability rating (according to UL 94)	PA/V0				PA/V0			
Operation temperatures	°C (°F) -40(-40)~105(221)				-40(-40)~105(221)			
Stripping length	mm 10-12				10-12			
Color	Grey, Red, Blue (please contact sales for other color requirements)				Grey, Red, Blue (please contact sales for other color requirements)			
Accessories								
Matching accessories	/				DS-DI / DS-CO / DS-FU5 / DS-FU5-LD24			
Slotted screwdriver size (Blade thickness x Width)	mm 0.8x4				0.8x4			
Bridge (2-10P)	DFB2-8.2 DFB3-8.2 DFB4-8.2 DFB5-8.2 DFB6-8.2 DFB7-8.2 DFB8-8.2 DFB9-8.2 DFB10-8.2				DFB2-8.2 DFB3-8.2 DFB4-8.2 DFB5-8.2 DFB6-8.2 DFB7-8.2 DFB8-8.2 DFB9-8.2 DFB10-8.2			
End cover	/				/			
Partition plate	ATP-DS / ATP-PC N				ATP-DS / ATP-PC N			
Cover profile	AP3-COVER / AP3-T / AP3-T-KS				AP3-COVER / AP3-T / AP3-T-KS			
Top marker	ZSF8				ZSF8			
Side marker	ZSF8				ZSF8			
Marker support	/				/			
Terminal strip marker support	DLM2 / KLM3-20x8 / KLM3-44x8				DLM2 / KLM3-20x8 / KLM3-44x8			
End clamp	E-PC 1100A / E-WS N				E-PC 1100A / E-WS N			
End cap	NS35/7.5-CAP NS35/15-CAP				NS35/7.5-CAP NS35/15-CAP			

DS Plug-in Terminal Blocks

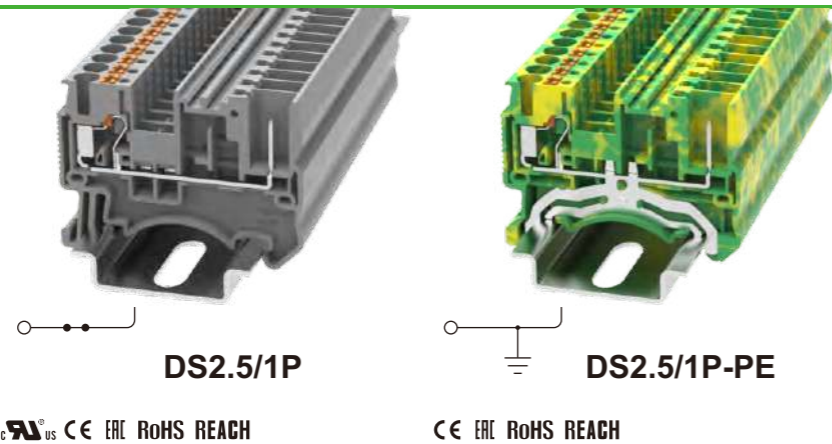
- Plug-in pluggable wiring system, which can be quickly installed and disassembled to realize modularization of circuit connection
- Mis-plug-proof structure design, with DS-PC to prevent mis-connection; with orange snaps, the plug can be fixed on the base; the plug can be flexibly assembled according to requirements
- The wiring position is equipped with a test hole, which is convenient for testing the circuit
- Double-channel bridging design and 2-20 poles bridges reach the flexible distribution of potentials
- Terminal blocks and plugs of the Plug-in system are protected against touch



DS Series

Push-in connection technology

Plug-in terminal blocks



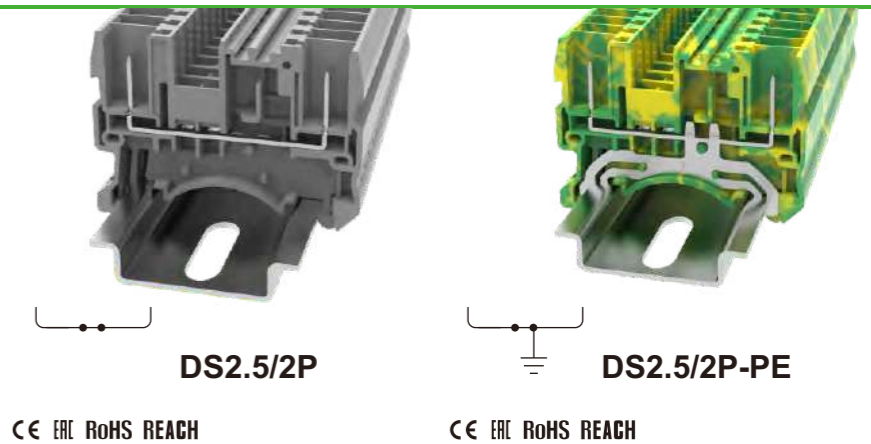
UL US CE ENE RoHS REACH

CE ENE RoHS REACH

Order NO.	11040000240				11040000241			
Width/Length/Height(NS35/7.5&NS35/15)	mm 5.2/48.6/36.75(44.25)				mm 5.2/48.6/36.75(44.25)			
Electrical Data	IEC IEC60947-7-1		UL UL1059		IEC IEC60947-7-1 / IEC60947-7-2		UL UL1059	
Rated voltage	V 500		600		/		/	
Rated current	A 24		20		/		/	
Rated cross section	mm ² /AWG 0.14-4		26-12		0.14-4		26-12	
Connection capacity	Solid	Stranded	Ferrule (with and without plastic sleeve)		Solid	Stranded	Ferrule (with and without plastic sleeve)	
1 conductor	mm ² 0.14-4	0.14-2.5	0.14-2.5	0.14-2.5	0.14-4	0.14-2.5	0.14-2.5	0.14-2.5
2 flexible conductors with a TWIN ferrule	mm ² -	-	-	0.5	-	-	-	0.5
General Information								
Insulation material/Flammability rating (according to UL 94)	PA/V0				PA/V0			
Operation temperatures	°C (°F) -40(-40)~105(221)				-40(-40)~105(221)			
Stripping length	mm 10-12				10-12			
Color	Grey, Red, Blue (please contact sales for other color requirements)				Yellow green mixed color			
Accessories								
Plug(02P-15P)	DSP2.5-H				DSP2.5-H			
Coding star	DS-PC				DS-PC			
Latching	DSR1.5 / DSR2.5				DSR1.5 / DSR2.5			
Slotted screwdriver size (Blade thickness x Width)	mm 0.6x3.5				0.6x3.5			
Bridge (2-10P 20P)	DFB2-5.2 DFB3-5.2 DFB4-5.2 DFB5-5.2 DFB6-5.2 DFB7-5.2 DFB8-5.2 DFB9-5.2 DFB10-5.2 DFB20-5.2 DFBS2-5.2 DFBS3-5.2 DFBS10-5.2				DFB2-5.2 DFB3-5.2 DFB4-5.2 DFB5-5.2 DFB6-5.2 DFB7-5.2 DFB8-5.2 DFB9-5.2 DFB10-5.2 DFB20-5.2 DFBS2-5.2 DFBS3-5.2 DFBS10-5.2			
End cover	D-DS2.5				D-DS2.5			
Partition plate	ATP-DS / ATP-PC N				ATP-DS / ATP-PC N			
Cover profile	AP3-COVER / AP3-T / AP3-T-KS				AP3-COVER / AP3-T / AP3-T-KS			
Top marker	ZB5 / ZS5				ZB5 / ZS5			
Side marker	ZK5 / ZSF5				ZK5 / ZSF5			
Marker support	/				/			
Terminal strip marker support	DLM2 / KLM3-20x8 / KLM3-44x8				DLM2 / KLM3-20x8 / KLM3-44x8			
End clamp	E-WS / E-PC / E-MK / E-WS N				E-WS / E-PC / E-MK / E-WS N			
End cap	NS35/7.5-CAP NS35/15-CAP				NS35/7.5-CAP NS35/15-CAP			

Push-in connection technology

Plug-in terminal blocks



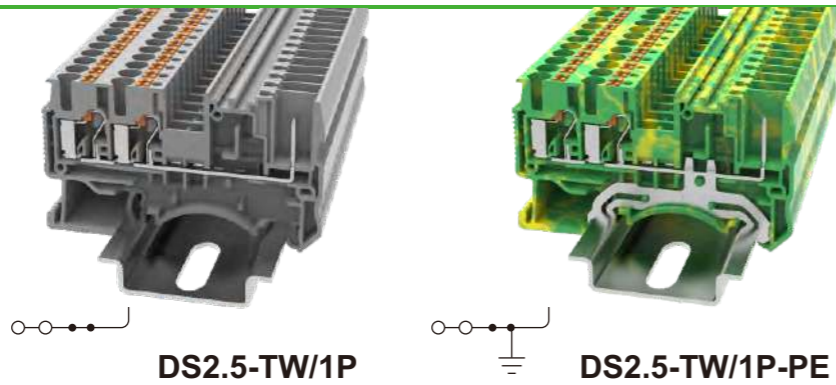
CE ENE RoHS REACH

CE ENE RoHS REACH

Order NO.	11040000960				11040000959			
Width/Length/Height(NS35/7.5&NS35/15)	mm 5.2/48.6/36.8(44.3)				mm 5.2/48.6/36.8(44.3)			
Electrical Data	IEC IEC60947-7-1		UL UL1059		IEC IEC60947-7-1 / IEC60947-7-2		UL UL1059	
Rated voltage	V 500		300		/		/	
Rated current	A 24		20		/		/	
Rated cross section	mm ² /AWG 0.14-4		26-12		0.14-4		26-12	
Connection capacity	Solid	Stranded	Ferrule (with and without plastic sleeve)		Solid	Stranded	Ferrule (with and without plastic sleeve)	
1 conductor	mm ² 0.14-4	0.14-2.5	0.14-2.5	0.14-2.5	0.14-4	0.14-2.5	0.14-2.5	0.14-2.5
2 flexible conductors with a TWIN ferrule	mm ² -	-	-	0.5	-	-	-	0.5
General Information								
Insulation material/Flammability rating (according to UL 94)	PA/V0				PA/V0			
Operation temperatures	°C (°F) -40(-40)~105(221)				-40(-40)~105(221)			
Stripping length	mm 10-12				10-12			
Color	Grey, Red, Blue (please contact sales for other color requirements)				Yellow green mixed color			
Accessories								
Plug(02P-15P)	DSP2.5-H				DSP2.5-H			
Coding star	DS-PC				DS-PC			
Latching	DSR1.5 / DSR2.5				DSR1.5 / DSR2.5			
Slotted screwdriver size (Blade thickness x Width)	mm 0.6x3.5				0.6x3.5			
Bridge (2-10P 20P)	DFB2-5.2 DFB3-5.2 DFB4-5.2 DFB5-5.2 DFB6-5.2 DFB7-5.2 DFB8-5.2 DFB9-5.2 DFB10-5.2 DFB20-5.2 DFBS2-5.2 DFBS3-5.2 DFBS10-5.2				DFB2-5.2 DFB3-5.2 DFB4-5.2 DFB5-5.2 DFB6-5.2 DFB7-5.2 DFB8-5.2 DFB9-5.2 DFB10-5.2 DFB20-5.2 DFBS2-5.2 DFBS3-5.2 DFBS10-5.2			
End cover	D-DS2.5				D-DS2.5			
Partition plate	ATP-DS / ATP-PC N				ATP-DS / ATP-PC N			
Cover profile	AP3-COVER / AP3-T / AP3-T-KS				AP3-COVER / AP3-T / AP3-T-KS			
Top marker	ZB5 / ZS5				ZB5 / ZS5			
Side marker	ZK5 / ZSF5				ZK5 / ZSF5			
Marker support	/				/			
Terminal strip marker support	DLM2 / KLM3-20x8 / KLM3-44x8				DLM2 / KLM3-20x8 / KLM3-44x8			
End clamp	E-WS / E-PC / E-MK / E-WS N				E-WS / E-PC / E-MK / E-WS N			
End cap	NS35/7.5-CAP NS35/15-CAP				NS35/7.5-CAP NS35/15-CAP			

Push-in connection technology

Plug-in terminal blocks



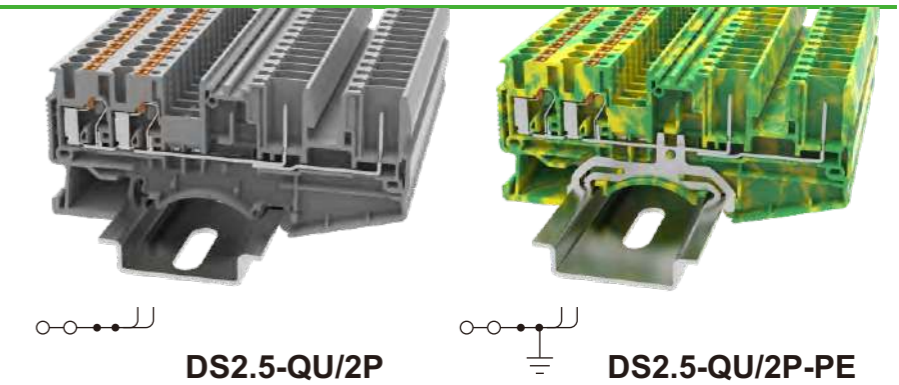
CE ERE RoHS REACH

CE ERE RoHS REACH

Order NO.	11040000914				11040000915			
Width/Length/Height(NS35/7.5&NS35/15)	mm 5.2/60.5/36.8(44.3)				mm 5.2/60.5/36.8(44.3)			
Electrical Data	IEC IEC60947-7-1		UL UL1059		IEC IEC60947-7-1 / IEC60947-7-2		UL UL1059	
Rated voltage	V 500		600		/		/	
Rated current	A 24		20		/		/	
Rated cross section	mm ² /AWG 0.14-4		26-12		0.14-4		26-12	
Connection capacity	Solid	Stranded	Ferrule (with and without plastic sleeve)		Solid	Stranded	Ferrule (with and without plastic sleeve)	
1 conductor	mm ² 0.14-4	0.14-2.5	0.14-2.5	0.14-2.5	0.14-4	0.14-2.5	0.14-2.5	0.14-2.5
2 flexible conductors with a TWIN ferrule	mm ² -	-	-	0.5	-	-	-	0.5
General Information								
Insulation material/Flammability rating (according to UL 94)	PA/V0				PA/V0			
Operation temperatures	°C (°F) -40(-40)~105(221)				-40(-40)~105(221)			
Stripping length	mm 10-12				10-12			
Color	Grey, Red, Blue (please contact sales for other color requirements)				Yellow green mixed color			
Accessories								
Plug(02P-15P)	DSP2.5-H				DSP2.5-H			
Coding star	DS-PC				DS-PC			
Latching	DSR1.5 / DSR2.5				DSR1.5 / DSR2.5			
Slotted screwdriver size (Blade thickness x Width)	mm 0.6x3.5				0.6x3.5			
Bridge (2-10P 20P)	DFB2-5.2 DFB3-5.2 DFB4-5.2 DFB5-5.2 DFB6-5.2 DFB7-5.2 DFB8-5.2 DFB9-5.2 DFB10-5.2 DFB20-5.2 DFBS2-5.2 DFBS3-5.2 DFBS10-5.2				DFB2-5.2 DFB3-5.2 DFB4-5.2 DFB5-5.2 DFB6-5.2 DFB7-5.2 DFB8-5.2 DFB9-5.2 DFB10-5.2 DFB20-5.2 DFBS2-5.2 DFBS3-5.2 DFBS10-5.2			
End cover	D-DS2.5-TW/1P				D-DS2.5-TW/1P			
Partition plate	ATP-DS / ATP-PC N				ATP-DS / ATP-PC N			
Cover profile	AP3-COVER / AP3-T / AP3-T-KS				AP3-COVER / AP3-T / AP3-T-KS			
Top marker	ZB5 / ZS5				ZB5 / ZS5			
Side marker	ZK5 / ZSF5				ZK5 / ZSF5			
Marker support	/				/			
Terminal strip marker support	DLM2 / KLM3-20x8 / KLM3-44x8				DLM2 / KLM3-20x8 / KLM3-44x8			
End clamp	E-WS / E-PC / E-MK / E-WS N				E-WS / E-PC / E-MK / E-WS N			
End cap	NS35/7.5-CAP NS35/15-CAP				NS35/7.5-CAP NS35/15-CAP			

Push-in connection technology

Plug-in terminal blocks



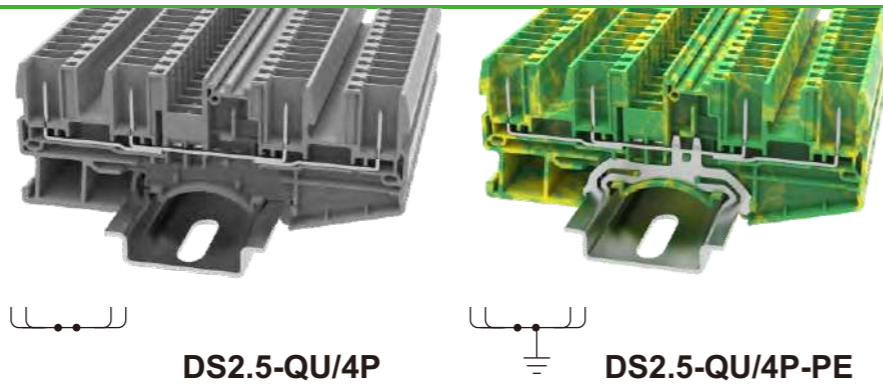
CE ERE RoHS REACH

CE ERE RoHS REACH

Order NO.	11040000979				11040000980			
Width/Length/Height(NS35/7.5&NS35/15)	mm 5.2/81.1/36.8(44.3)				mm 5.2/81.1/36.8(44.3)			
Electrical Data	IEC IEC60947-7-1		UL UL1059		IEC IEC60947-7-1 / IEC60947-7-2		UL UL1059	
Rated voltage	V 500		600		/		/	
Rated current	A 24		20		/		/	
Rated cross section	mm ² /AWG 0.14-4		26-12		0.14-4		26-12	
Connection capacity	Solid	Stranded	Ferrule (with and without plastic sleeve)		Solid	Stranded	Ferrule (with and without plastic sleeve)	
1 conductor	mm ² 0.14-4	0.14-2.5	0.14-2.5	0.14-2.5	0.14-4	0.14-2.5	0.14-2.5	0.14-2.5
2 flexible conductors with a TWIN ferrule	mm ² -	-	-	0.5	-	-	-	0.5
General Information								
Insulation material/Flammability rating (according to UL 94)	PA/V0				PA/V0			
Operation temperatures	°C (°F) -40(-40)~105(221)				-40(-40)~105(221)			
Stripping length	mm 10-12				10-12			
Color	Grey, Red, Blue (please contact sales for other color requirements)				Yellow green mixed color			
Accessories								
Plug(02P-15P)	DSP2.5-H				DSP2.5-H			
Coding star	DS-PC				DS-PC			
Latching	DSR1.5 / DSR2.5				DSR1.5 / DSR2.5			
Slotted screwdriver size (Blade thickness x Width)	mm 0.6x3.5				0.6x3.5			
Bridge (2-10P 20P)	DFB2-5.2 DFB3-5.2 DFB4-5.2 DFB5-5.2 DFB6-5.2 DFB7-5.2 DFB8-5.2 DFB9-5.2 DFB10-5.2 DFB20-5.2 DFBS2-5.2 DFBS3-5.2 DFBS10-5.2				DFB2-5.2 DFB3-5.2 DFB4-5.2 DFB5-5.2 DFB6-5.2 DFB7-5.2 DFB8-5.2 DFB9-5.2 DFB10-5.2 DFB20-5.2 DFBS2-5.2 DFBS3-5.2 DFBS10-5.2			
End cover	D-DS2.5-QU/2P				D-DS2.5-QU/2P			
Partition plate	ATP-DS / ATP-PC N				ATP-DS / ATP-PC N			
Cover profile	AP3-COVER / AP3-T / AP3-T-KS				AP3-COVER / AP3-T / AP3-T-KS			
Top marker	ZB5 / ZS5				ZB5 / ZS5			
Side marker	ZK5 / ZSF5				ZK5 / ZSF5			
Marker support	/				/			
Terminal strip marker support	DLM2 / KLM3-20x8 / KLM3-44x8				DLM2 / KLM3-20x8 / KLM3-44x8			
End clamp	E-WS / E-PC / E-MK / E-WS N				E-WS / E-PC / E-MK / E-WS N			
End cap	NS35/7.5-CAP NS35/15-CAP				NS35/7.5-CAP NS35/15-CAP			

Push-in connection technology

Plug-in terminal blocks


DS2.5-QU/4P

DS2.5-QU/4P-PE

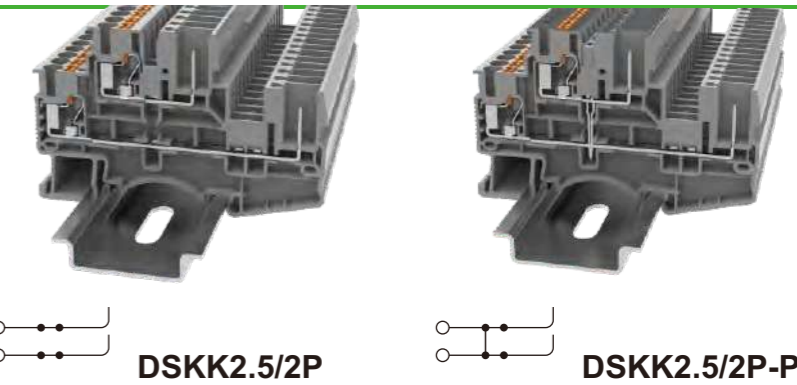
CE ERE RoHS REACH

CE ERE RoHS REACH

Order NO.	11040000951				11040000952			
Width/Length/Height(NS35/7.5&NS35/15)	mm 5.2/89.6/36.8(44.3)				mm 5.2/89.6/36.8(44.3)			
Electrical Data	IEC IEC60947-7-1		UL UL1059		IEC IEC60947-7-1 / IEC60947-7-2		UL UL1059	
Rated voltage	V 500		300		/		/	
Rated current	A 24		20		/		/	
Rated cross section	mm ² /AWG 0.14-4		26-12		0.14-4		26-12	
Connection capacity	Solid	Stranded	Ferrule (with and without plastic sleeve)		Solid	Stranded	Ferrule (with and without plastic sleeve)	
1 conductor	mm ² 0.14-4	0.14-2.5	0.2-2.5	0.2-2.5	0.14-4	0.14-2.5	0.2-2.5	0.2-2.5
2 flexible conductors with a TWIN ferrule	mm ² -	-	-	0.5	-	-	-	0.5
General Information								
Insulation material/Flammability rating (according to UL 94)	PA/V0				PA/V0			
Operation temperatures	°C (°F) -40(-40)~105(221)				-40(-40)~105(221)			
Stripping length	mm 10-12				10-12			
Color	Grey, Red, Blue (please contact sales for other color requirements)				Yellow green mixed color			
Accessories								
Plug(02P-15P)	DSP2.5-H				DSP2.5-H			
Coding star	DS-PC				DS-PC			
Latching	DSR1.5 / DSR2.5				DSR1.5 / DSR2.5			
Slotted screwdriver size (Blade thickness x Width)	mm 0.6x3.5				0.6x3.5			
Bridge (2-10P 20P)	DFB2-5.2 DFB3-5.2 DFB4-5.2 DFB5-5.2 DFB6-5.2 DFB7-5.2 DFB8-5.2 DFB9-5.2 DFB10-5.2 DFB20-5.2 DFB25-5.2 DFB35-5.2 DFB50-5.2				DFB2-5.2 DFB3-5.2 DFB4-5.2 DFB5-5.2 DFB6-5.2 DFB7-5.2 DFB8-5.2 DFB9-5.2 DFB10-5.2 DFB20-5.2 DFB25-5.2 DFB35-5.2 DFB50-5.2			
End cover	D-DS2.5-QU/4P				D-DS2.5-QU/4P			
Partition plate	ATP-DS / ATP-PC N				ATP-DS / ATP-PC N			
Cover profile	AP3-COVER / AP3-T / AP3-T-KS				AP3-COVER / AP3-T / AP3-T-KS			
Top marker	ZB5 / ZS5				ZB5 / ZS5			
Side marker	ZK5 / ZSF5				ZK5 / ZSF5			
Marker support	/				/			
Terminal strip marker support	DLM2 / KLM3-20x8 / KLM3-44x8				DLM2 / KLM3-20x8 / KLM3-44x8			
End clamp	E-WS / E-PC / E-MK / E-WS N				E-WS / E-PC / E-MK / E-WS N			
End cap	NS35/7.5-CAP NS35/15-CAP				NS35/7.5-CAP NS35/15-CAP			

Push-in connection technology

Plug-in terminal blocks


DSKK2.5/2P

DSKK2.5/2P-PV

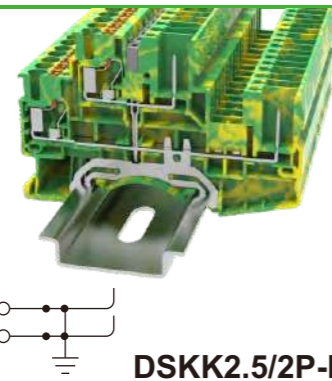
CE ERE RoHS REACH

CE ERE RoHS REACH

Order NO.	11040000971				11040001048			
Width/Length/Height(NS35/7.5&NS35/15)	mm 5.2/73.5/48.8(56.3)				mm 5.2/73.5/48.8(56.3)			
Electrical Data	IEC IEC60947-7-1		UL UL1059		IEC IEC60947-7-1		UL UL1059	
Rated voltage	V 500		300		500		300	
Rated current	A 22		20		22		20	
Rated cross section	mm ² /AWG 0.14-4		26-12		0.14-4		26-12	
Connection capacity	Solid	Stranded	Ferrule (with and without plastic sleeve)		Solid	Stranded	Ferrule (with and without plastic sleeve)	
1 conductor	mm ² 0.14-4	0.14-2.5	0.14-2.5	0.14-2.5	0.14-4	0.14-2.5	0.14-2.5	0.14-2.5
2 flexible conductors with a TWIN ferrule	mm ² -	-	-	0.5	-	-	-	0.5
General Information								
Insulation material/Flammability rating (according to UL 94)	PA/V0				PA/V0			
Operation temperatures	°C (°F) -40(-40)~105(221)				-40(-40)~105(221)			
Stripping length	mm 11-12				11-12			
Color	Grey, Red, Blue (please contact sales for other color requirements)				Grey, Red, Blue (please contact sales for other color requirements)			
Accessories								
Plug(02P-15P)	DSP2.5-H				DSP2.5-H			
Coding star	DS-PC				DS-PC			
Latching	DSR1.5 / DSR2.5				DSR1.5 / DSR2.5			
Slotted screwdriver size (Blade thickness x Width)	mm 0.6x3.5				0.6x3.5			
Bridge (2-10P 20P)	DFB2-5.2 DFB3-5.2 DFB4-5.2 DFB5-5.2 DFB6-5.2 DFB7-5.2 DFB8-5.2 DFB9-5.2 DFB10-5.2 DFB20-5.2 DFB25-5.2 DFB35-5.2 DFB50-5.2				DFB2-5.2 DFB3-5.2 DFB4-5.2 DFB5-5.2 DFB6-5.2 DFB7-5.2 DFB8-5.2 DFB9-5.2 DFB10-5.2 DFB20-5.2 DFB25-5.2 DFB35-5.2 DFB50-5.2			
End cover	D-DSKK2.5/2P				D-DSKK2.5/2P			
Partition plate	ATP-DS / ATP-PC N				ATP-DS / ATP-PC N			
Cover profile	AP3-COVER / AP3-T / AP3-T-KS				AP3-COVER / AP3-T / AP3-T-KS			
Top marker	ZB5 / ZS5				ZB5 / ZS5			
Side marker	ZK5 / ZSF5				ZK5 / ZSF5			
Marker support	/				/			
Terminal strip marker support	DLM2 / KLM3-20x8 / KLM3-44x8				DLM2 / KLM3-20x8 / KLM3-44x8			
End clamp	E-WS / E-PC / E-MK / E-WS N				E-WS / E-PC / E-MK / E-WS N			
End cap	NS35/7.5-CAP NS35/15-CAP				NS35/7.5-CAP NS35/15-CAP			

Push-in connection technology

Plug-in terminal blocks



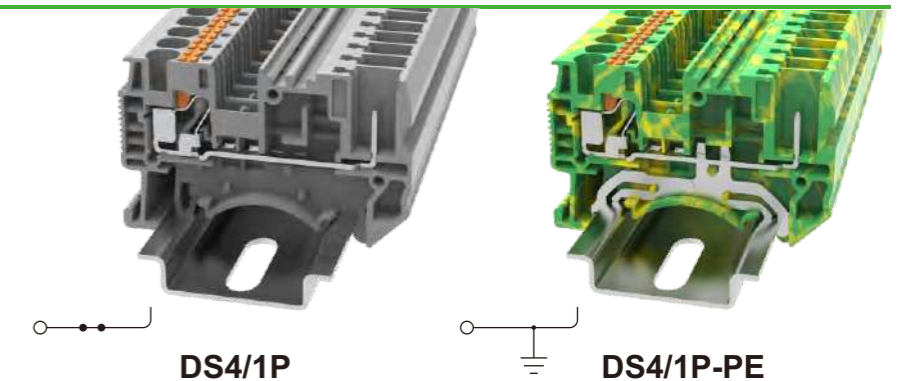
DSKK2.5/2P-PE

CE ENEC RoHS REACH

Order NO.	11040000972			
Width/Length/Height(NS35/7.5&NS35/15) mm	5.2/73.5/48.8(56.3)			
Electrical Data	IEC	UL		
	IEC60947-7-1 / IEC60947-2	UL1059		
Rated voltage V	/	/		
Rated current A	/	/		
Rated cross section mm ² /AWG	0.14-4	26-12		
Connection capacity	Solid	Stranded	Ferrule (with and without plastic sleeve)	
1 conductor mm ²	0.14-4	0.14-2.5	0.14-2.5	0.14-2.5
2 flexible conductors with a TWIN ferrule mm ²	—	—	—	0.5
General Information				
Insulation material/Flammability rating (according to UL 94)	PA/V0			
Operation temperatures °C (°F)	-40(-40)~105(221)			
Stripping length mm	11-12			
Color	Yellow green mixed color			
Accessories				
Plug(02P-15P)		DSP2.5-H		
Coding star		DS-PC		
Latching		DSR1.5 / DSR2.5		
Slotted screwdriver size (Blade thickness x Width) mm	0.6x3.5			
Bridge (2-10P 20P)		DFB2-5.2 DFB3-5.2 DFB4-5.2 DFB5-5.2 DFB6-5.2 DFB7-5.2 DFB8-5.2 DFB9-5.2 DFB10-5.2 DFB20-5.2 DFBS2-5.2 DFBS3-5.2 DFBS10-5.2		
End cover		D-DSKK2.5/2P		
Partition plate		ATP-DS / ATP-PC N		
Cover profile		AP3-COVER / AP3-T / AP3-T-KS		
Top marker		ZB5 / ZS5		
Side marker		ZK5 / ZSF5		
Marker support		/		
Terminal strip marker support		DLM2 / KLM3-20x8 / KLM3-44x8		
End clamp		E-WS / E-PC / E-MK / E-WS N		
End cap		NS35/7.5-CAP NS35/15-CAP		

Push-in connection technology

Plug-in terminal blocks



DS4/1P

DS4/1P-PE

CE ENEC RoHS REACH

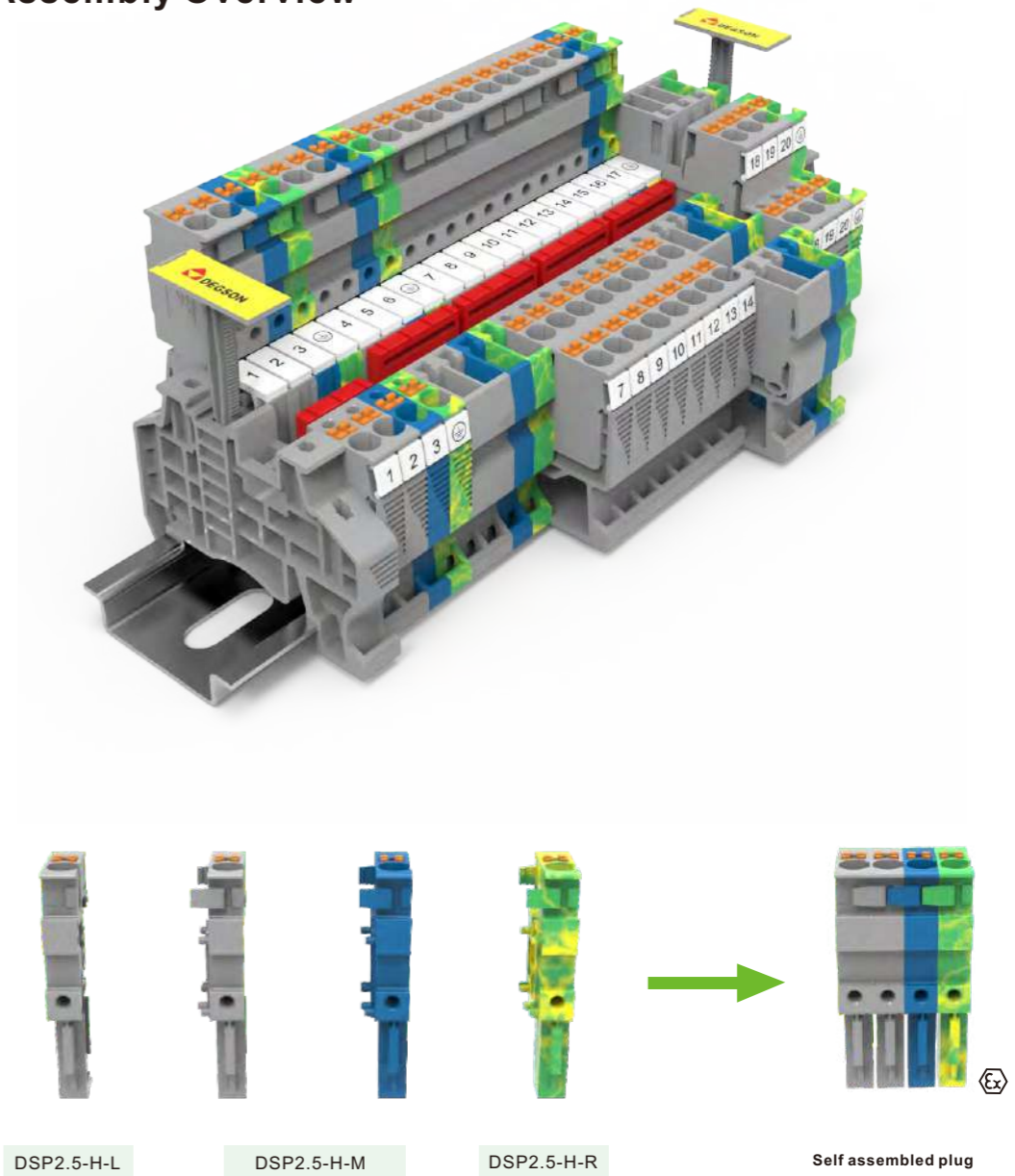
CE ENEC RoHS REACH

Order NO.	11040000927				11040000928			
Width/Length/Height(NS35/7.5&NS35/15) mm	6.2/55.6/36.8(44.3)				6.2/55.6/36.8(44.3)			
Electrical Data	IEC	UL		IEC	UL			
	IEC60947-7-1	UL1059		IEC60947-7-1 / IEC60947-2	UL1059			
Rated voltage V	800	600		/	/			
Rated current A	32	28		/	/			
Rated cross section mm ² /AWG	0.2-6	24-10		0.2-6	24-10			
Connection capacity	Solid	Stranded	Ferrule (with and without plastic sleeve)		Solid	Stranded	Ferrule (with and without plastic sleeve)	
1 conductor mm ²	0.2-6	0.2-4	0.2-4	0.2-4	0.2-6	0.2-4	0.2-4	0.2-4
2 flexible conductors with a TWIN ferrule mm ²	—	—	—	0.5-1	—	—	—	0.5-1
General Information								
Insulation material/Flammability rating (according to UL 94)	PA/V0				PA/V0			
Operation temperatures °C (°F)	-40(-40)~105(221)				-40(-40)~105(221)			
Stripping length mm	11-13				11-13			
Color	Grey, Red, Blue (please contact sales for other color requirements)				Yellow green mixed color			
Accessories								
Plug(02P-15P)		DSP4-H			DSP4-H			
Coding star		DS-PC			DS-PC			
Latching		DSR2.5			DSR2.5			
Slotted screwdriver size (Blade thickness x Width) mm	0.6x3.5				0.6x3.5			
Bridge (2-10P 20P)		DFB2-6.2 DFB3-6.2 DFB4-6.2 DFB5-6.2 DFB6-6.2 DFB7-6.2 DFB8-6.2 DFB9-6.2 DFB10-6.2 DFB20-6.2			DFB2-6.2 DFB3-6.2 DFB4-6.2 DFB5-6.2 DFB6-6.2 DFB7-6.2 DFB8-6.2 DFB9-6.2 DFB10-6.2 DFB20-6.2			
End cover		D-DS4			D-DS4			
Partition plate		ATP-DS / ATP-PC N			ATP-DS / ATP-PC N			
Cover profile		AP3-COVER / AP3-T / AP3-T-KS			AP3-COVER / AP3-T / AP3-T-KS			
Top marker		ZB6 / ZS6			ZB6 / ZS6			
Side marker		ZK6 / ZSF6			ZK6 / ZSF6			
Marker support		/			/			
Terminal strip marker support		DLM2 / KLM3-20x8 / KLM3-44x8			DLM2 / KLM3-20x8 / KLM3-44x8			
End clamp		E-WS / E-PC / E-MK / E-WS N			E-WS / E-PC / E-MK / E-WS N			
End cap		NS35/7.5-CAP NS35/15-CAP			NS35/7.5-CAP NS35/15-CAP			

Index List

Matching plugs index list of DS Plug-in system				
Type	Quantity	Matching plugs	Type	Quantity
DS2.5/1P	1	DSP2.5-H-01P-11-00A(H)	/	/
DS2.5/1P	2	DSP2.5-H-02P-11-00A(H)	DSP2.5-H-L	1
			DSP2.5-H-M	0
			DSP2.5-H-R	1
DS2.5/1P	3	DSP2.5-H-03P-11-00A(H)	DSP2.5-H-L	1
			DSP2.5-H-M	1
			DSP2.5-H-R	1
DS2.5/1P	4	DSP2.5-H-04P-11-00A(H)	DSP2.5-H-L	1
			DSP2.5-H-M	2
			DSP2.5-H-R	1
...
DS2.5/1P	15	DSP2.5-H-15P-11-00A(H)	DSP2.5-H-L	1
			DSP2.5-H-M	13
			DSP2.5-H-R	1

Plug-in Assembly Overview



DSP2.5-H-L DSP2.5-H-M DSP2.5-H-R Self assembled plug

Optional combination plug (2p-15p) or single-chip plug (left, middle and right)



DSR1.5 assembly effect drawing

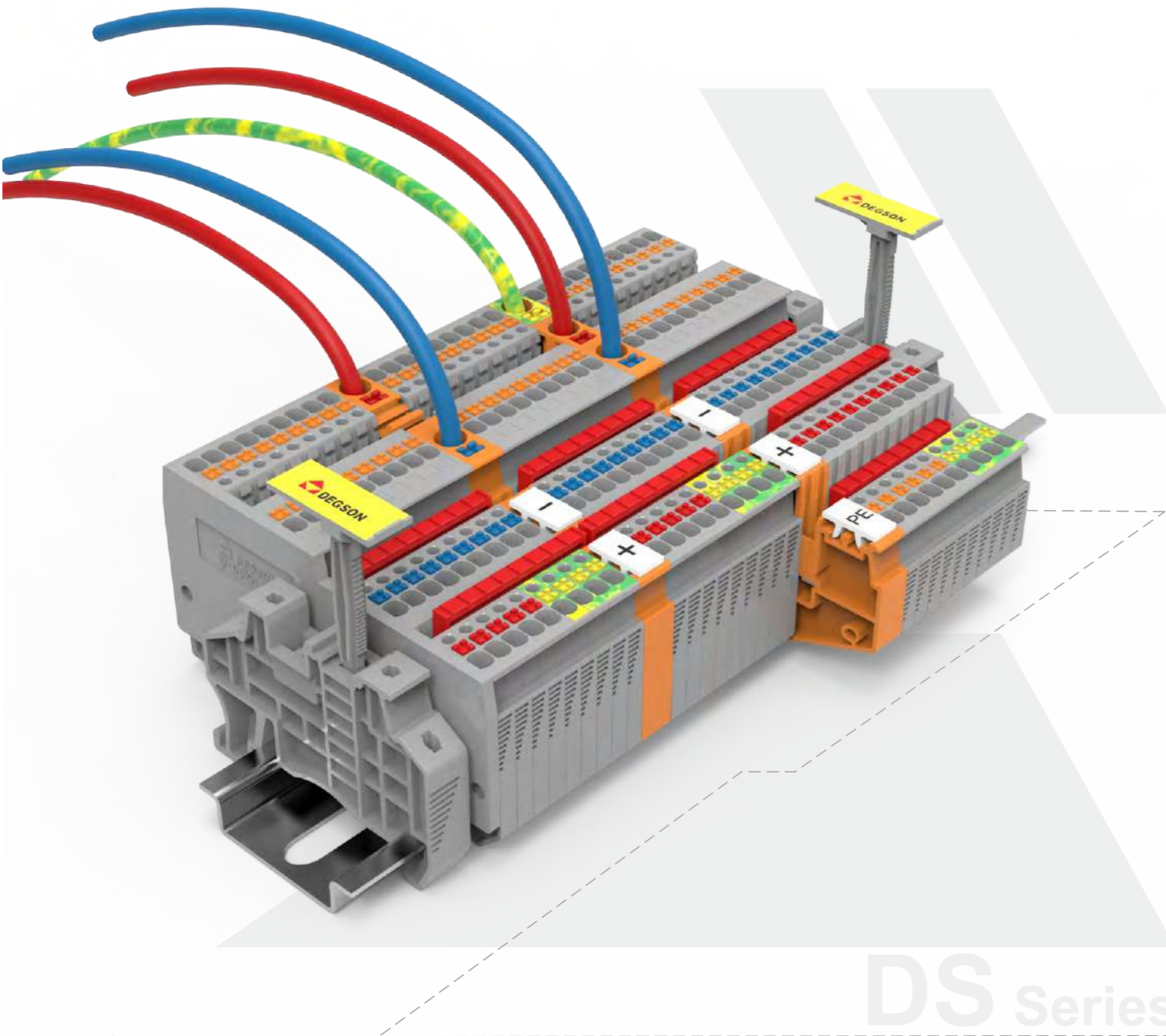


DSR2.5 assembly effect drawing

The self-assembled plug can be matched with DSR1.5/2.5 clip accessories, flexible field installation

DS Sensor Terminal Blocks And Actuator Terminal Blocks

- DSIO Initiator/actuator terminal blocks can reach tool free wiring with the Push-in connection technology; Easy to remove the cable by push the orange button
- 3.5mm ultra-thin design, saving space; compact structure reach high wiring density
- The power feed module used with bridge, realize the power distribution of positive and negative
- Compatible with the marking system to clearly identify the working area
- Equipped with test hole on the wiring position, easy to test the circuit



Push-in connection technology

Sensor terminal blocks and actuator terminal blocks



DSIO1.5/3



DSIO1.5/3-PE

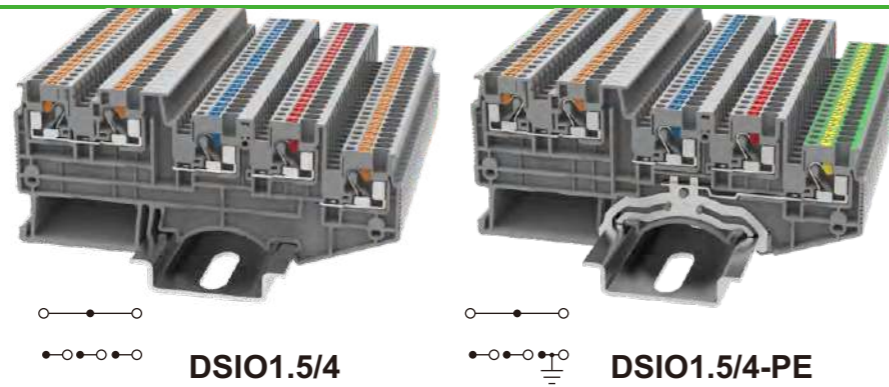
UL CE ENE RoHS REACH

CE ENE RoHS REACH

Order NO.	11040000234				11040000235							
Width/Length/Height(NS35/7.5&NS35/15)	mm 3.5/74.4/41.5(49)				mm 3.5/74.4/41.5(49)							
Electrical Data	IEC		UL		IEC		UL					
	IEC60947-7-1		UL1059		IEC60947-7-1 IEC60947-7-2		UL1059					
Rated voltage	V		250		300		250		300			
Rated current	A		13.5		15		13.5		15			
Rated cross section	mm ² /AWG		0.14-1.5		26-16		0.14-1.5		26-16			
Connection capacity			Solid	Stranded	Ferrule (with and without plastic sleeve)		Solid	Stranded	Ferrule (with and without plastic sleeve)			
	1 conductor	mm ²	0.14-1.5	0.14-1.5	0.15-1.5	0.14-0.5	0.14-1.5	0.14-1.5	0.15-1.5	0.14-1.5		
2 flexible conductors with a TWIN ferrule	mm ²	-	-	-	-	-	-	-	-	-		
General Information												
Insulation material/Flammability rating (according to UL 94)	PA/V0				PA/V0							
Operation temperatures	°C (°F)		-40(-40)~105(221)				-40(-40)~105(221)					
Stripping length	mm		8-10				8-10					
Color	Grey, Red, Blue (please contact sales for other color requirements)				Grey, Red, Blue (please contact sales for other color requirements)							
Accessories												
Ferrule	/				/							
Slotted screwdriver size (Blade thickness x Width)	mm		0.4-2.5				0.4-2.5					
Bridge (2-10P 20P)			DFB2-3.5	DFB3-3.5	DFB4-3.5	DFB5-3.5	DFB6-3.5	DFB7-3.5	DFB8-3.5	DFB9-3.5	DFB10-3.5	DFB20-3.5
End cover			D-DSIO1.5/3-1				D-DSIO1.5/3-1					
Partition plate			ATP-DS / ATP-PC N				ATP-DS / ATP-PC N					
Cover profile			AP3-COVER / AP3-T / AP3-T-KS				AP3-COVER / AP3-T / AP3-T-KS					
Top marker			ZSF3.5				ZSF3.5					
Side marker			ZSF3.5				ZSF3.5					
Marker support			/				/					
Terminal strip marker support			DLM2 / KLM3-20x8 / KLM3-44x8				DLM2 / KLM3-20x8 / KLM3-44x8					
End clamp			E-PC 1100A / E-WS N				E-PC 1100A / E-WS N					
End cap			NS35/7.5-CAP NS35/15-CAP				NS35/7.5-CAP NS35/15-CAP					

Push-in connection technology

Sensor terminal blocks and actuator terminal blocks

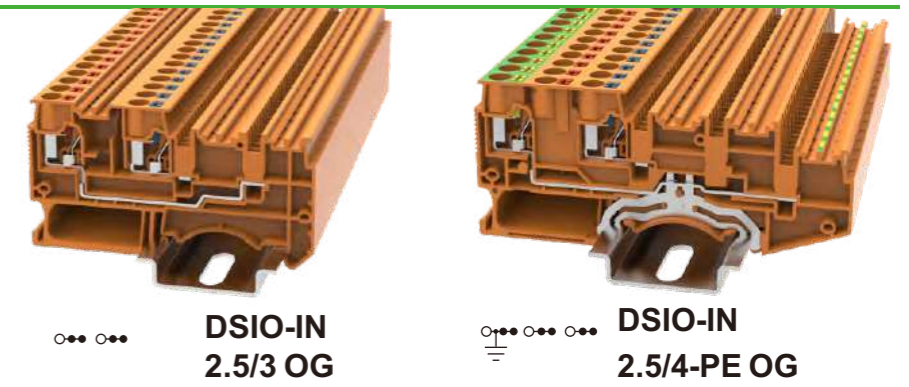

DSIO1.5/4

DSIO1.5/4-PE

Order NO.	11040000248				11040000249			
Width/Length/Height(NS35/7.5&NS35/15) mm	3.5/90.9/41.5(49)				3.5/90.9/41.5(49)			
Electrical Data	IEC IEC60947-7-1		UL UL1059		IEC IEC60947-7-1		UL UL1059	
Rated voltage V	250		300		250		300	
Rated current A	13.5		15		13.5		15	
Rated cross section mm ² /AWG	0.14-1.5		26-16		0.14-1.5		26-16	
Connection capacity	Solid	Stranded	Ferrule (with and without plastic sleeve)		Solid	Stranded	Ferrule (with and without plastic sleeve)	
1 conductor mm ²	0.14-1.5	0.14-1.5	0.15-1.5	0.14-1.5	0.14-1.5	0.14-1.5	0.15-1.5	0.14-1.5
2 flexible conductors with a TWIN ferrule mm ²	—	—	—	—	—	—	—	—
General Information								
Insulation material/Flammability rating (according to UL 94)	PA/V0				PA/V0			
Operation temperatures °C (°F)	-40(-40)~105(221)				-40(-40)~105(221)			
Stripping length mm	8-10				8-10			
Color	Grey, Red, Blue (please contact sales for other color requirements)				Grey, Red, Blue (please contact sales for other color requirements)			
Accessories								
Ferrule	/				/			
Slotted screwdriver size (Blade thickness x Width) mm	0.4-2.5				0.4-2.5			
Bridge (2-10P 20P)	DFB2-3.5 DFB3-3.5 DFB4-3.5 DFB5-3.5 DFB6-3.5 DFB7-3.5 DFB8-3.5 DFB9-3.5 DFB10-3.5 DFB20-3.5		DFB2-3.5 DFB3-3.5 DFB4-3.5 DFB5-3.5 DFB6-3.5 DFB7-3.5 DFB8-3.5 DFB9-3.5 DFB10-3.5 DFB20-3.5		DFB2-3.5 DFB3-3.5 DFB4-3.5 DFB5-3.5 DFB6-3.5 DFB7-3.5 DFB8-3.5 DFB9-3.5 DFB10-3.5 DFB20-3.5		DFB2-3.5 DFB3-3.5 DFB4-3.5 DFB5-3.5 DFB6-3.5 DFB7-3.5 DFB8-3.5 DFB9-3.5 DFB10-3.5 DFB20-3.5	
End cover	D-DSIO1.5/4-1				D-DSIO1.5/4-1			
Partition plate	ATP-DS / ATP-PC N				ATP-DS / ATP-PC N			
Cover profile	AP3-COVER / AP3-T / AP3-T-KS				AP3-COVER / AP3-T / AP3-T-KS			
Top marker	ZSF3.5				ZSF3.5			
Side marker	ZSF3.5				ZSF3.5			
Marker support	/				/			
Terminal strip marker support	DLM2 / KLM3-20x8 / KLM3-44x8				DLM2 / KLM3-20x8 / KLM3-44x8			
End clamp	E-PC 1100A / E-WS N				E-PC 1100A / E-WS N			
End cap	NS35/7.5-CAP NS35/15-CAP				NS35/7.5-CAP NS35/15-CAP			

Push-in connection technology

Sensor terminal blocks and actuator terminal blocks

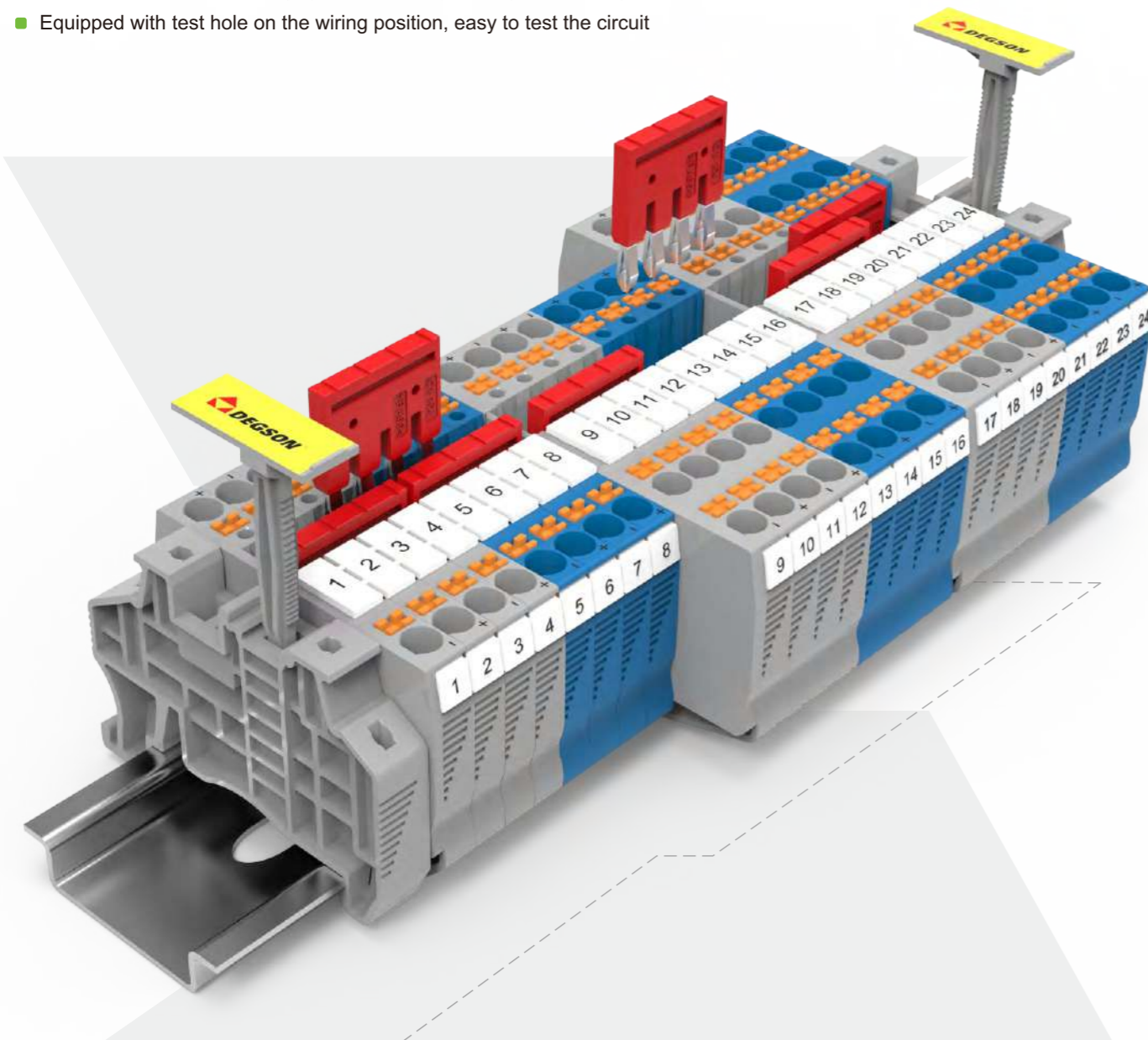

DSIO-IN 2.5/3 OG

DSIO-IN 2.5/4-PE OG

Order NO.	11040000239				11040000238			
Width/Length/Height(NS35/7.5&NS35/15) mm	7/74.4/41.5(49)				7/90.9/41.5(49)			
Electrical Data	IEC IEC60947-7-1		UL UL1059		IEC IEC60947-7-1		UL UL1059	
Rated voltage V	250		300		250		300	
Rated current A	20		10		20		10	
Rated cross section mm ² /AWG	0.2-4		26-12		0.2-4		26-12	
Connection capacity	Solid	Stranded	Ferrule (with and without plastic sleeve)		Solid	Stranded	Ferrule (with and without plastic sleeve)	
1 conductor mm ²	0.2-4	0.2-2.5	0.2-2.5	0.2-2.5	0.2-4	0.2-2.5	0.2-2.5	0.2-2.5
2 flexible conductors with a TWIN ferrule mm ²	—	—	—	0.5	—	—	—	0.5
General Information								
Insulation material/Flammability rating (according to UL 94)	PA/V0				PA/V0			
Operation temperatures °C (°F)	-40(-40)~105(221)				-40(-40)~105(221)			
Stripping length mm	10-12				10-12			
Color	Orange (please contact sales for other color requirements)				Orange (please contact sales for other color requirements)			
Accessories								
Ferrule	/				/			
Slotted screwdriver size (Blade thickness x Width) mm	0.6x3.5				0.6x3.5			
Bridge (2-10P 20P)	DFB2-3.5 DFB3-3.5 DFB4-3.5 DFB5-3.5 DFB6-3.5 DFB7-3.5 DFB8-3.5 DFB9-3.5 DFB10-3.5 DFB20-3.5		DFB2-3.5 DFB3-3.5 DFB4-3.5 DFB5-3.5 DFB6-3.5 DFB7-3.5 DFB8-3.5 DFB9-3.5 DFB10-3.5 DFB20-3.5		DFB2-3.5 DFB3-3.5 DFB4-3.5 DFB5-3.5 DFB6-3.5 DFB7-3.5 DFB8-3.5 DFB9-3.5 DFB10-3.5 DFB20-3.5		DFB2-3.5 DFB3-3.5 DFB4-3.5 DFB5-3.5 DFB6-3.5 DFB7-3.5 DFB8-3.5 DFB9-3.5 DFB10-3.5 DFB20-3.5	
End cover	D-DSIO1.5/3-1				D-DSIO1.5/4-1			
Partition plate	ATP-DS / ATP-PC N				ATP-DS / ATP-PC N			
Cover profile	AP3-COVER / AP3-T / AP3-T-KS				AP3-COVER / AP3-T / AP3-T-KS			
Top marker	ZB6 / ZS6				ZB6 / ZS6			
Side marker	ZK6 / ZSF6				ZK6 / ZSF6			
Marker support	/				/			
Terminal strip marker support	DLM2 / KLM3-20x8 / KLM3-44x8				DLM2 / KLM3-20x8 / KLM3-44x8			
End clamp	E-PC 1100A / E-WS N				E-PC 1100A / E-WS N			
End cap	NS35/7.5-CAP NS35/15-CAP				NS35/7.5-CAP NS35/15-CAP			

DS Component Terminal Blocks

- DS diode terminal blocks can reach tool free wiring with the Push-in connection technology; Easy to remove the cable by push the orange button
- With diode element, can realize unidirectional conduction of the circuit
- Double-channel bridging design and 2-20 poles bridges reach the flexible distribution of potentials
- Compatible with the marking system to clearly identify the working area
- Equipped with test hole on the wiring position, easy to test the circuit



DS Series

Push-in connection technology

Component terminal blocks



DS2.5-LD L-R



DS2.5-LD R-L

UL CE ENEC RoHS REACH

UL CE ENEC RoHS REACH

Order NO.	11040000232	11040000233
Width/Length/Height(NS35/7.5&NS35/15)	mm 5.2/48.6/36.75(44.25)	
Electrical Data	IEC IEC60947-7-1	UL UL1059
Rated voltage	V 250 (Reverse breakdown voltage 1.3KV)	
Rated current	A 1 (The brand of diode is BY133, with current of 1A)	
Rated cross section	mm ² /AWG 0.14-4 26-12	
Connection capacity	Solid Stranded Ferrule (with and without plastic sleeve)	
1 conductor	mm ² 0.14-4 0.14-2.5 0.14-2.5 0.14-2.5	
2 flexible conductors with a TWIN ferrule	mm ² - - - 0.5	
General Information		
Insulation material/Flammability rating (according to UL 94)	PA/V0	
Operation temperatures	°C (°F) -40(-40)~105(221)	
Stripping length	mm 10-12	
Color	Grey, Red, Blue (please contact sales for other color requirements)	
Accessories		
Ferrule	/	
Slotted screwdriver size (Blade thickness x Width)	mm 10-12	
Bridge (2-10P 20P)	DFB2-5.2 DFB3-5.2 DFB4-5.2 DFB5-5.2 DFB6-5.2 DFB7-5.2 DFB8-5.2 DFB9-5.2 DFB10-5.2 DFB20-5.2 DFB25-5.2 DFB30-5.2 DFB35-5.2 DFB40-5.2 DFB45-5.2 DFB50-5.2 DFB55-5.2 DFB60-5.2 DFB65-5.2 DFB70-5.2 DFB75-5.2 DFB80-5.2 DFB85-5.2 DFB90-5.2 DFB95-5.2 DFB100-5.2 DFB105-5.2 DFB110-5.2 DFB115-5.2 DFB120-5.2 DFB125-5.2 DFB130-5.2 DFB135-5.2 DFB140-5.2 DFB145-5.2 DFB150-5.2 DFB155-5.2 DFB160-5.2 DFB165-5.2 DFB170-5.2 DFB175-5.2 DFB180-5.2 DFB185-5.2 DFB190-5.2 DFB195-5.2 DFB200-5.2 DFB205-5.2 DFB210-5.2 DFB215-5.2 DFB220-5.2 DFB225-5.2 DFB230-5.2 DFB235-5.2 DFB240-5.2 DFB245-5.2 DFB250-5.2	
End cover	D-DS2.5	
Partition plate	ATP-DS / ATP-PC N	
Cover profile	AP3-COVER / AP3-T / AP3-T-KS	
Top marker	ZB5 / ZS5	
Side marker	ZK5 / ZSF5	
Marker support	DTH5-25x5 / DTH5-25x12	
Terminal strip marker support	DLM2 / KLM3-20x8 / KLM3-44x8	
End clamp	E-PC 1100A / E-WS N	
End cap	NS35/7.5-CAP NS35/15-CAP	

Push-in connection technology

Component terminal blocks


DS2.5-TW-LD L-R

DS2.5-TW-LD R-L

Order NO.	11040000199				11040000200			
Width/Length/Height(NS35/7.5&NS35/15)	mm 5.2/60.5/36.75(44.25)				mm 5.2/60.5/36.75(44.25)			
Electrical Data	IEC IEC60947-7-1		UL UL1059		IEC IEC60947-7-1		UL UL1059	
Rated voltage	V 300 (Reverse breakdown voltage 1.3KV)		V 300 (Reverse breakdown voltage 1.3KV)		V 300 (Reverse breakdown voltage 1.3KV)		V 300 (Reverse breakdown voltage 1.3KV)	
Rated current	A 1 (The brand of diode is BY133, with current of 1A)		A 1 (The brand of diode is BY133, with current of 1A)		A 1 (The brand of diode is BY133, with current of 1A)		A 1 (The brand of diode is BY133, with current of 1A)	
Rated cross section	mm ² /AWG 0.14-4		mm ² /AWG 26-12		mm ² /AWG 0.14-4		mm ² /AWG 26-12	
Connection capacity	Solid	Stranded	Ferrule (with and without plastic sleeve)		Solid	Stranded	Ferrule (with and without plastic sleeve)	
1 conductor	mm ² 0.14-4	mm ² 0.14-2.5	mm ² 0.14-2.5	mm ² 0.14-2.5	mm ² 0.14-4	mm ² 0.14-2.5	mm ² 0.14-2.5	mm ² 0.14-2.5
2 flexible conductors with a TWIN ferrule	mm ² -	mm ² -	mm ² -	mm ² 0.5	mm ² -	mm ² -	mm ² -	mm ² 0.5
General Information								
Insulation material/Flammability rating (according to UL 94)	PA/V0				PA/V0			
Operation temperatures	°C (°F) -40(-40)~105(221)				°C (°F) -40(-40)~105(221)			
Stripping length	mm 10-12				mm 10-12			
Color	Grey, Red, Blue (please contact sales for other color requirements)				Grey, Red, Blue (please contact sales for other color requirements)			
Accessories								
Ferrule	/				/			
Slotted screwdriver size (Blade thickness x Width)	mm 10-12				mm 10-12			
Bridge (2-10P 20P)	 DFB2-5.2 DFB3-5.2 DFB4-5.2 DFB5-5.2 DFB6-5.2 DFB7-5.2 DFB8-5.2 DFB9-5.2 DFB10-5.2 DFB20-5.2 DFBS2-5.2 DFBS3-5.2 DFBS10-5.2				 DFB2-5.2 DFB3-5.2 DFB4-5.2 DFB5-5.2 DFB6-5.2 DFB7-5.2 DFB8-5.2 DFB9-5.2 DFB10-5.2 DFB20-5.2 DFBS2-5.2 DFBS3-5.2 DFBS10-5.2			
End cover	D-DS2.5-TW				D-DS2.5-TW			
Partition plate	ATP-DS / ATP-PC N				ATP-DS / ATP-PC N			
Cover profile	AP3-COVER / AP3-T / AP3-T-KS				AP3-COVER / AP3-T / AP3-T-KS			
Top marker	ZB5 / ZS5				ZB5 / ZS5			
Side marker	ZK5 / ZSF5				ZK5 / ZSF5			
Marker support	DTH5-25x5 / DTH5-25x12				DTH5-25x5 / DTH5-25x12			
Terminal strip marker support	DLM2 / KLM3-20x8 / KLM3-44x8				DLM2 / KLM3-20x8 / KLM3-44x8			
End clamp	E-PC 1100A / E-WS N				E-PC 1100A / E-WS N			
End cap	NS35/7.5-CAP NS35/15-CAP				NS35/7.5-CAP NS35/15-CAP			

Push-in connection technology

Component terminal blocks


DS2.5-QU-LD L-R

DS2.5-QU-LD R-L

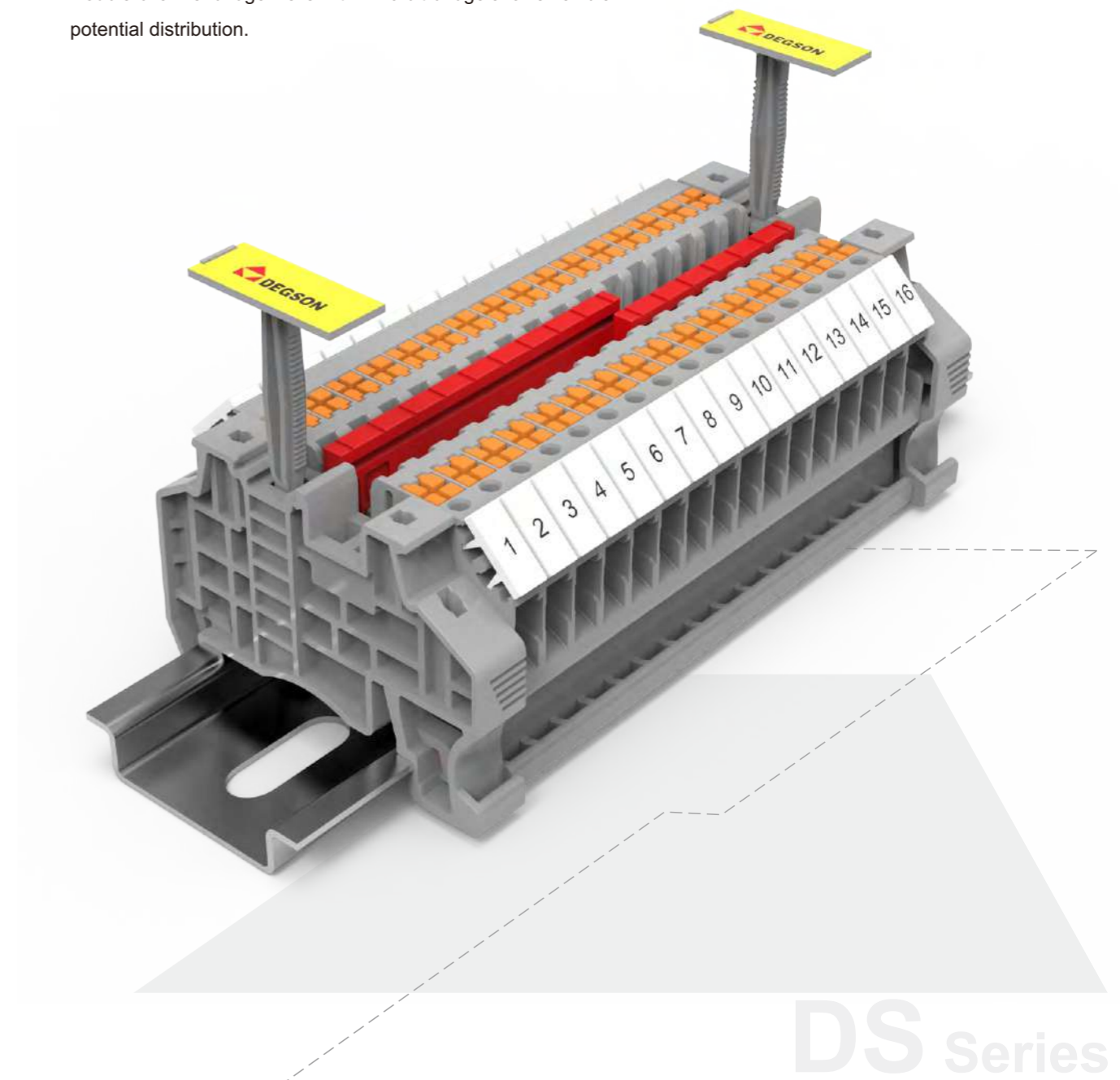
Order NO.	11040000242				11040000243			
Width/Length/Height(NS35/7.5&NS35/15)	mm 5.2/72.2/36.75(44.25)				mm 5.2/72.2/36.75(44.25)			
Electrical Data	IEC IEC60947-7-1		UL UL1059		IEC IEC60947-7-1		UL UL1059	
Rated voltage	V 250 (Reverse breakdown voltage 1.3KV)		V 250 (Reverse breakdown voltage 1.3KV)		V 250 (Reverse breakdown voltage 1.3KV)		V 250 (Reverse breakdown voltage 1.3KV)	
Rated current	A 1 (The brand of diode is BY133, with current of 1A)		A 1 (The brand of diode is BY133, with current of 1A)		A 1 (The brand of diode is BY133, with current of 1A)		A 1 (The brand of diode is BY133, with current of 1A)	
Rated cross section	mm ² /AWG 0.14-4		mm ² /AWG 26-12		mm ² /AWG 0.14-4		mm ² /AWG 26-12	
Connection capacity	Solid	Stranded	Ferrule (with and without plastic sleeve)		Solid	Stranded	Ferrule (with and without plastic sleeve)	
1 conductor	mm ² 0.14-4	mm ² 0.14-2.5	mm ² 0.14-2.5	mm ² 0.14-2.5	mm ² 0.14-4	mm ² 0.14-2.5	mm ² 0.14-2.5	mm ² 0.14-2.5
2 flexible conductors with a TWIN ferrule	mm ² -	mm ² -	mm ² -	mm ² 0.5	mm ² -	mm ² -	mm ² -	mm ² 0.5
General Information								
Insulation material/Flammability rating (according to UL 94)	PA/V0				PA/V0			
Operation temperatures	°C (°F) -40(-40)~105(221)				°C (°F) -40(-40)~105(221)			
Stripping length	mm 10-12				mm 10-12			
Color	Grey, Red, Blue (please contact sales for other color requirements)				Grey, Red, Blue (please contact sales for other color requirements)			
Accessories								
Ferrule	/				/			
Slotted screwdriver size (Blade thickness x Width)	mm 10-12				mm 10-12			
Bridge (2-10P 20P)	 DFB2-5.2 DFB3-5.2 DFB4-5.2 DFB5-5.2 DFB6-5.2 DFB7-5.2 DFB8-5.2 DFB9-5.2 DFB10-5.2 DFB20-5.2 DFBS2-5.2 DFBS3-5.2 DFBS10-5.2				 DFB2-5.2 DFB3-5.2 DFB4-5.2 DFB5-5.2 DFB6-5.2 DFB7-5.2 DFB8-5.2 DFB9-5.2 DFB10-5.2 DFB20-5.2 DFBS2-5.2 DFBS3-5.2 DFBS10-5.2			
End cover	D-DS2.5-QU				D-DS2.5-QU			
Partition plate	ATP-DS / ATP-PC N				ATP-DS / ATP-PC N			
Cover profile	AP3-COVER / AP3-T / AP3-T-KS				AP3-COVER / AP3-T / AP3-T-KS			
Top marker	ZB5 / ZS5				ZB5 / ZS5			
Side marker	ZK5 / ZSF5				ZK5 / ZSF5			
Marker support	DTH5-25x5 / DTH5-25x12				DTH5-25x5 / DTH5-25x12			
Terminal strip marker support	DLM2 / KLM3-20x8 / KLM3-44x8				DLM2 / KLM3-20x8 / KLM3-44x8			
End clamp	E-PC 1100A / E-WS N				E-PC 1100A / E-WS N			
End cap	NS35/7.5-CAP NS35/15-CAP				NS35/7.5-CAP NS35/15-CAP			

Index List

Reducing bridging with standard DS feed-through terminal blocks						
Supply		Pick-off		Single-sided supply	Central supply	Bridges
Terminal block	Cross section(mm ²)	Terminal block	Cross section(mm ²)	I _{max} (A)	I _{max} (A)	
DS2.5	2.5	DS1.5	1.5	24	30	DFB2.5/4-1.5
DS4	4	DS1.5	1.5	24	40	DFB2.5/4-1.5
		DS2.5	2.5	40	40	DFB2.5 or DFB4
DS6	6	DS1.5	1.5	24	48	DFB6-1.5
		DS2.5	2.5	40	56	DFB6-2.5/4
		DS4	4	45	56	
DS10	10	DS1.5	1.5	24	48	DFB10-1.5
		DS2.5	2.5	40	65	DFB10-2.5/4
		DS4	4	45	65	
DS16	16	DS1.5	1.5	24	48	DFB16-1.5
		DS2.5	2.5	40	80	DFB16-2.5/4
		DS4	4	45	90	

DS Side Incoming Terminal Blocks

- DS series side incoming terminal blocks adopt in-line connection technology, and wiring requires no tools; With an orange pull-out button, it is easy to take out the cable.
- The wiring method of the side incoming lines ensures that the wires have no bending radius, the wiring is beautiful, and the cable identification is clear and readable.
- Large area identification at 45°, marking areas easy to identify.
- Wiring does not need to consider the cable space above the terminals.
- Double-channel bridge wells with 2-20 bit bridge allows flexible potential distribution.



DS Series

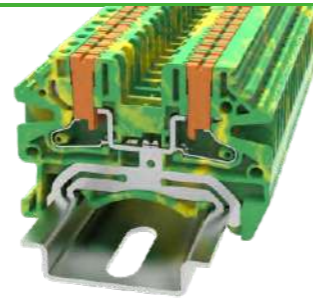
Push-in connection technology

Feed-through terminal block



DSV2.5

CE ENEC RoHS REACH



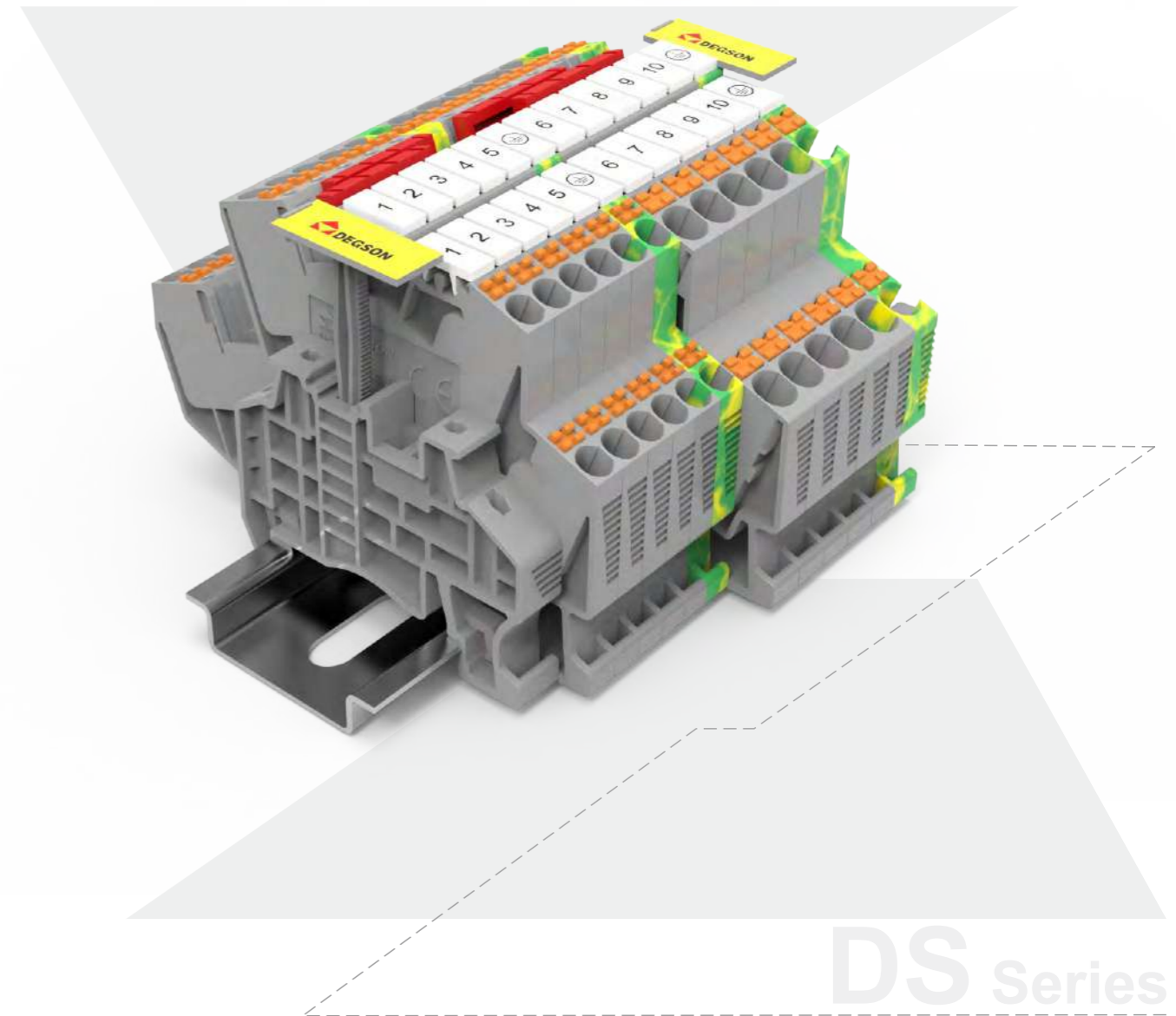
DSV2.5-PE

CE ENEC RoHS REACH

Order NO.	11040000279				11040000280			
Width/Length/Height(NS35/7.5&NS35/15)	mm 5.2/50.8/36.8(44.3)				mm 5.2/50.8/36.8(44.3)			
Electrical Data	IEC IEC60947-7-1		UL UL1059		IEC IEC60947-7-1		UL UL1059	
Rated voltage	V 600		V 600		/		/	
Rated current	A 24		A 20		/		/	
Rated cross section	mm ² /AWG 0.14-4		mm ² /AWG 26-12		mm ² /AWG 0.14-4		mm ² /AWG 26-12	
Connection capacity	Solid	Stranded	Ferrule (with and without plastic sleeve)		Solid	Stranded	Ferrule (with and without plastic sleeve)	
1 conductor	mm ² 0.14-4	mm ² 0.14-2.5	mm ² 0.14-2.5	mm ² 0.14-2.5	mm ² 0.14-4	mm ² 0.14-2.5	mm ² 0.14-2.5	mm ² 0.14-2.5
2 flexible conductors with a TWIN ferrule	mm ² -	mm ² -	mm ² -	mm ² 1	mm ² -	mm ² -	mm ² -	mm ² 1
General Information								
Insulation material/Flammability rating (according to UL 94)	PA/V0				PA/V0			
Operation temperatures	°C (°F) -40(-40)~105(221)				°C (°F) -40(-40)~105(221)			
Stripping length	mm 11-12				mm 11-12			
Color	Grey, Red, Blue (please contact sales for other color requirements)				Yellow green mixed color			
Accessories								
Ferrule	/				/			
Slotted screwdriver size (Blade thickness x Width)	mm 0.6x3.5				mm 0.6x3.5			
Bridge (2-10P 20P)	DFB2-5.2 DFB3-5.2 DFB4-5.2 DFB5-5.2 DFB6-5.2 DFB7-5.2 DFB8-5.2 DFB9-5.2 DFB10-5.2 DFB20-5.2 DFBS2-5.2 DFBS3-5.2 DFBS10-5.2				DFB2-5.2 DFB3-5.2 DFB4-5.2 DFB5-5.2 DFB6-5.2 DFB7-5.2 DFB8-5.2 DFB9-5.2 DFB10-5.2 DFB20-5.2 DFBS2-5.2 DFBS3-5.2 DFBS10-5.2			
End cover	D-DSV2.5				D-DSV2.5			
Partition plate	ATP-DS / ATP-PC N				ATP-DS / ATP-PC N			
Cover profile	AP3-COVER / AP3-T / AP3-T-KS				AP3-COVER / AP3-T / AP3-T-KS			
Top marker	ZB5 / ZS5				ZB5 / ZS5			
Side marker	/				/			
Marker support	DTH5-25x5 / DTH5-25x12				DTH5-25x5 / DTH5-25x12			
Terminal strip marker support	DLM2 / KLM3-20x8 / KLM3-44x8				DLM2 / KLM3-20x8 / KLM3-44x8			
End clamp	E-PC 1100A / E-WS N				E-PC 1100A / E-WS N			
End cap	NS35/7.5-CAP NS35/15-CAP				NS35/7.5-CAP NS35/15-CAP			

DS Inclined Incoming Terminal Blocks

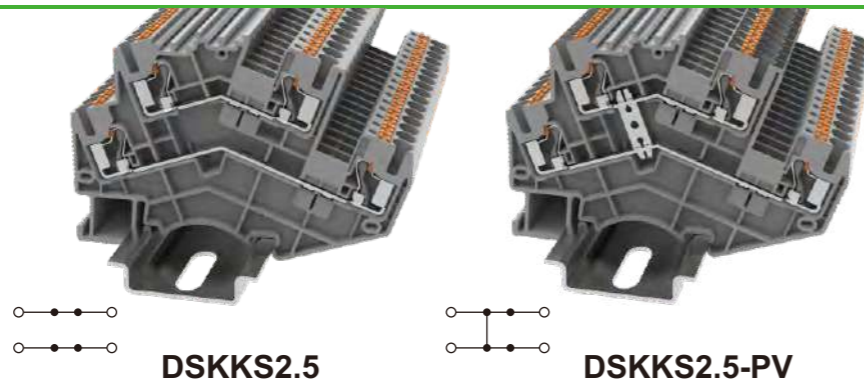
- DS series inclined incoming terminals adopt in-line connection technology, and wiring requires no tools; With an orange pull-out button, it is easy to take out the cable.
- The 45 ° inclined plane wiring method saves wiring space and is used for flat terminal boxes.
- Double-level terminal blocks can save a lot of cabinet space.
- Double-channel bridge wells, with a 2-20 bit bridge, can flexibly distribute potential.



DS Series

Push-in connection technology

Double-level terminal block



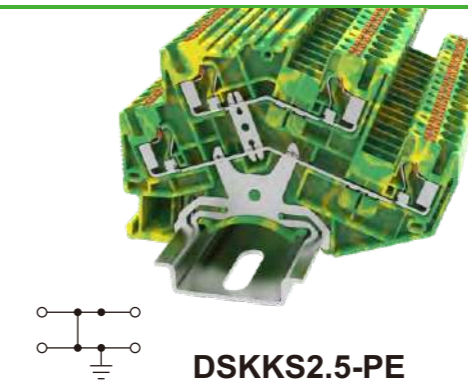
UL CE ENEC RoHS REACH

UL CE ENEC RoHS REACH

Order NO.	11040000898				11040000899			
Width/Length/Height(NS35/7.5&NS35/15)	mm 5.2/82/57.5(65)				mm 5.2/82/57.5(65)			
Electrical Data	IEC IEC60947-7-1		UL UL1059		IEC IEC60947-7-1		UL UL1059	
Rated voltage	V 500		V 300		V 500		V 300	
Rated current	A 24		A 20		A 24		A 20	
Rated cross section	mm ² /AWG 0.14-4		mm ² /AWG 26-12		mm ² /AWG 0.14-4		mm ² /AWG 26-12	
Connection capacity	Solid	Stranded	Ferrule (with and without plastic sleeve)		Solid	Stranded	Ferrule (with and without plastic sleeve)	
1 conductor	mm ² 0.14-4	mm ² 0.14-2.5	mm ² 0.14-2.5	mm ² 0.14-2.5	mm ² 0.14-4	mm ² 0.14-2.5	mm ² 0.14-2.5	mm ² 0.14-2.5
2 flexible conductors with a TWIN ferrule	mm ² -	mm ² -	mm ² -	mm ² 0.5	mm ² -	mm ² -	mm ² -	mm ² 0.5
General Information								
Insulation material/Flammability rating (according to UL 94)	PA/V0				PA/V0			
Operation temperatures	°C (°F) -40(-40)~105(221)				°C (°F) -40(-40)~105(221)			
Stripping length	mm 10-12				mm 10-12			
Color	Grey, Red, Blue (please contact sales for other color requirements)				Grey, Red, Blue (please contact sales for other color requirements)			
Accessories								
Ferrule	/				/			
Slotted screwdriver size (Blade thickness x Width)	mm 0.6x3.5				mm 0.6x3.5			
Bridge (2-10P 20P)	DFB2-5.2 DFB3-5.2 DFB4-5.2 DFB5-5.2 DFB6-5.2 DFB7-5.2 DFB8-5.2 DFB9-5.2 DFB10-5.2 DFB20-5.2 DFBS2-5.2 DFBS3-5.2 DFBS10-5.2				DFB2-5.2 DFB3-5.2 DFB4-5.2 DFB5-5.2 DFB6-5.2 DFB7-5.2 DFB8-5.2 DFB9-5.2 DFB10-5.2 DFB20-5.2 DFBS2-5.2 DFBS3-5.2 DFBS10-5.2			
End cover	D-DSKKS2.5				D-DSKKS2.5			
Partition plate	ATP-DS / ATP-PC N				ATP-DS / ATP-PC N			
Cover profile	AP3-COVER / AP3-T / AP3-T-KS				AP3-COVER / AP3-T / AP3-T-KS			
Top marker	ZB5 / ZS5				ZB5 / ZS5			
Side marker	ZK5 / ZSF5				ZK5 / ZSF5			
Marker support	DTH5-25x5 / DTH5-25x12				DTH5-25x5 / DTH5-25x12			
Terminal strip marker support	DLM2 / KLM3-20x8 / KLM3-44x8				DLM2 / KLM3-20x8 / KLM3-44x8			
End clamp	E-PC 1100A / E-WS N				E-PC 1100A / E-WS N			
End cap	NS35/7.5-CAP NS35/15-CAP				NS35/7.5-CAP NS35/15-CAP			

Push-in connection technology

Double-level terminal block

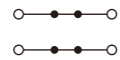
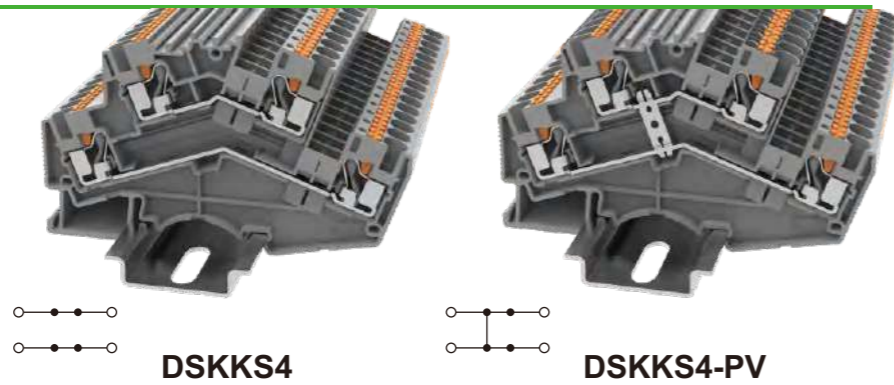


UL CE ENEC RoHS REACH

Order NO.	11040000900			
Width/Length/Height(NS35/7.5&NS35/15)	mm 5.2/82/57.5(65)			
Electrical Data	IEC IEC60947-7-1		UL UL1059	
Rated voltage	V /		V /	
Rated current	A /		A /	
Rated cross section	mm ² /AWG 0.14-4		mm ² /AWG 26-12	
Connection capacity	Solid	Stranded	Ferrule (with and without plastic sleeve)	
1 conductor	mm ² 0.14-4	mm ² 0.14-2.5	mm ² 0.14-2.5	mm ² 0.14-2.5
2 flexible conductors with a TWIN ferrule	mm ² -	mm ² -	mm ² -	mm ² 0.5
General Information				
Insulation material/Flammability rating (according to UL 94)	PA/V0			
Operation temperatures	°C (°F) -40(-40)~105(221)			
Stripping length	mm 10-12			
Color	Yellow green mixed color			
Accessories				
Ferrule	/			
Slotted screwdriver size (Blade thickness x Width)	mm 0.6x3.5			
Bridge (2-10P 20P)	DFB2-5.2 DFB3-5.2 DFB4-5.2 DFB5-5.2 DFB6-5.2 DFB7-5.2 DFB8-5.2 DFB9-5.2 DFB10-5.2 DFB20-5.2 DFBS2-5.2 DFBS3-5.2 DFBS10-5.2			
End cover	D-DSKKS2.5			
Partition plate	ATP-DS / ATP-PC N			
Cover profile	AP3-COVER / AP3-T / AP3-T-KS			
Top marker	ZB5 / ZS5			
Side marker	ZK5 / ZSF5			
Marker support	DTH5-25x5 / DTH5-25x12			
Terminal strip marker support	DLM2 / KLM3-20x8 / KLM3-44x8			
End clamp	E-PC 1100A / E-WS N			
End cap	NS35/7.5-CAP NS35/15-CAP			

Push-in connection technology

Double-level terminal block

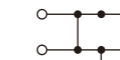
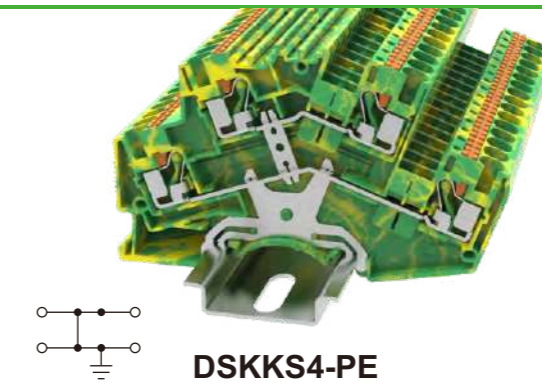

DSKKS4

DSKKS4-PV
CE ENEC RoHS REACH
CE ENEC RoHS REACH

Order NO.	11040000949				11040000948			
Width/Length/Height(NS35/7.5&NS35/15)	mm 6.2/92/57.7(65)				mm 6.2/92/57.7(65)			
Electrical Data	IEC IEC60947-7-1		UL UL 1059		IEC IEC60947-7-1		UL UL 1059	
Rated voltage	V 800		V 600		V 800		V 600	
Rated current	A 32		A 30		A 32		A 30	
Rated cross section	mm ² /AWG 0.2-6		mm ² /AWG 24-10		mm ² /AWG 0.2-6		mm ² /AWG 24-10	
Connection capacity	Solid	Stranded	Ferrule (with and without plastic sleeve)		Solid	Stranded	Ferrule (with and without plastic sleeve)	
1 conductor	mm ² 0.2-6	mm ² 0.2-4	mm ² 0.2-4	mm ² 0.2-4	mm ² 0.2-6	mm ² 0.2-4	mm ² 0.2-4	mm ² 0.2-4
2 flexible conductors with a TWIN ferrule	mm ² —	mm ² —	mm ² —	mm ² 0.5-1	mm ² —	mm ² —	mm ² —	mm ² 0.5-1
General Information								
Insulation material/Flammability rating (according to UL 94)	PA/V0				PA/V0			
Operation temperatures	°C (°F) -40(-40)~105(221)				°C (°F) -40(-40)~105(221)			
Stripping length	mm 10-11				mm 10-11			
Color	Grey, Red, Blue (please contact sales for other color requirements)				Grey, Red, Blue (please contact sales for other color requirements)			
Accessories								
Ferrule	/				/			
Slotted screwdriver size (Blade thickness x Width)	mm 0.6x3.5				mm 0.6x3.5			
Bridge (2-10P 20P)	 DFB2-6.2 DFB3-6.2 DFB4-6.2 DFB5-6.2 DFB6-6.2 DFB7-6.2 DFB8-6.2 DFB9-6.2 DFB10-6.2				 DFB2-6.2 DFB3-6.2 DFB4-6.2 DFB5-6.2 DFB6-6.2 DFB7-6.2 DFB8-6.2 DFB9-6.2 DFB10-6.2			
End cover	 D-DSKKS4				 D-DSKKS4			
Partition plate	 ATP-DS / ATP-PC N				 ATP-DS / ATP-PC N			
Cover profile	 AP3-COVER / AP3-T / AP3-T-KS				 AP3-COVER / AP3-T / AP3-T-KS			
Top marker	 ZB6 / ZS6				 ZB6 / ZS6			
Side marker	 ZK6 / ZSF6				 ZK6 / ZSF6			
Marker support	 DTH5-25x5 // DTH5-25x12				 DTH5-25x5 // DTH5-25x12			
Terminal strip marker support	 DLM2 / KLM3-20x8 / KLM3-44x8				 DLM2 / KLM3-20x8 / KLM3-44x8			
End clamp	 E-PC 1100A / E-WS N				 E-PC 1100A / E-WS N			
End cap	 NS35/7.5-CAP NS35/15-CAP				 NS35/7.5-CAP NS35/15-CAP			

Push-in connection technology

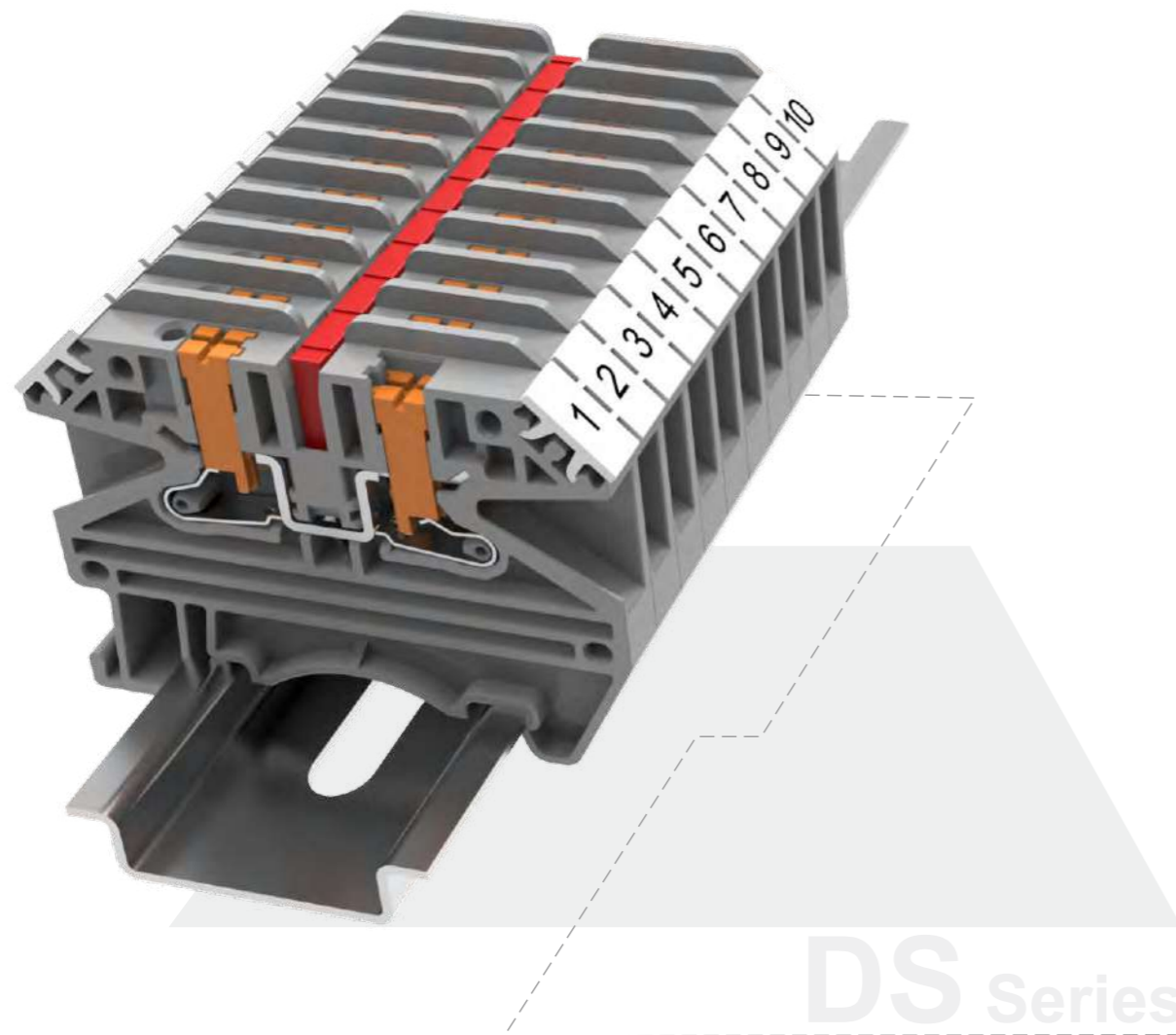
Double-level terminal block


DSKKS4-PE
CE ENEC RoHS REACH

Order NO.	11040000950			
Width/Length/Height(NS35/7.5&NS35/15)	mm 6.2/92/57.7(65)			
Electrical Data	IEC IEC60947-7-1		UL UL 1059	
Rated voltage	V /		V /	
Rated current	A /		A /	
Rated cross section	mm ² /AWG 0.2-6		mm ² /AWG 24-10	
Connection capacity	Solid	Stranded	Ferrule (with and without plastic sleeve)	
1 conductor	mm ² 0.2-6	mm ² 0.2-4	mm ² 0.2-4	mm ² 0.2-4
2 flexible conductors with a TWIN ferrule	mm ² —	mm ² —	mm ² —	mm ² 0.5-1
General Information				
Insulation material/Flammability rating (according to UL 94)	PA/V0			
Operation temperatures	°C (°F) -40(-40)~105(221)			
Stripping length	mm 10-11			
Color	Yellow green mixed color			
Accessories				
Ferrule	/			
Slotted screwdriver size (Blade thickness x Width)	mm 0.6x3.5			
Bridge (2-10P 20P)	 DFB2-6.2 DFB3-6.2 DFB4-6.2 DFB5-6.2 DFB6-6.2 DFB7-6.2 DFB8-6.2 DFB9-6.2 DFB10-6.2			
End cover	 D-DSKKS4			
Partition plate	 ATP-DS / ATP-PC N			
Cover profile	 AP3-COVER / AP3-T / AP3-T-KS			
Top marker	 ZB6 / ZS6			
Side marker	 ZK6 / ZSF6			
Marker support	 DTH5-25x5 / DTH5-25x12			
Terminal strip marker support	 DLM2 / KLM3-20x8 / KLM3-44x8			
End clamp	 E-PC 1100A / E-WS N			
End cap	 NS35/7.5-CAP NS35/15-CAP			

2000V High Voltage Terminal Blocks

- With the high efficiency of in-line wiring technology and the vertical wiring advantage of screw terminals, it can achieve efficient connection of wires and beautiful wiring.
- The rated voltage is up to 2000 V, especially suitable for ultra high voltage applications in the photovoltaic and wind power industries.
- Large area identification at 45°, marking areas easy to identify.
- Pluggable bridges, fast and efficient bridge connection.



Push-in connection technology

Feed-through terminal block



DSHV2.5-2000

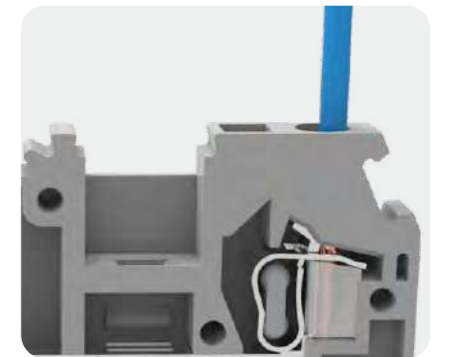
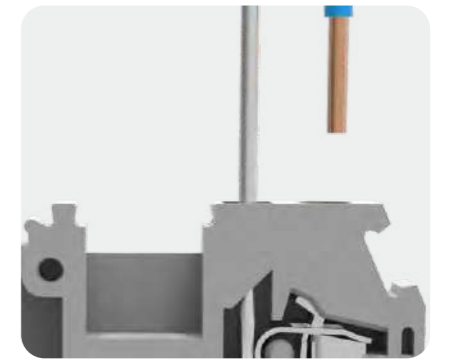
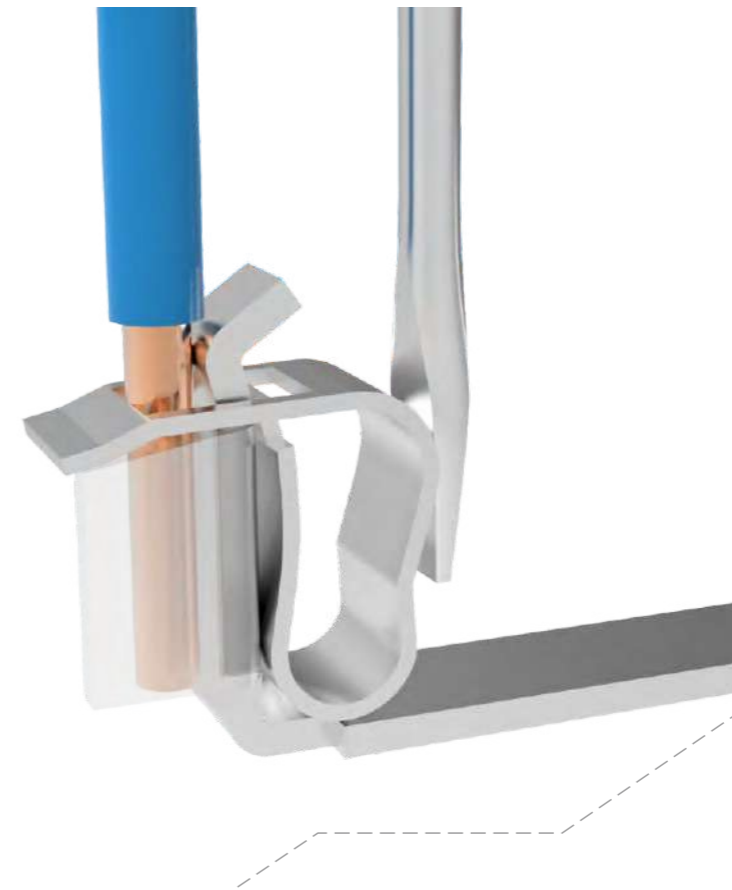
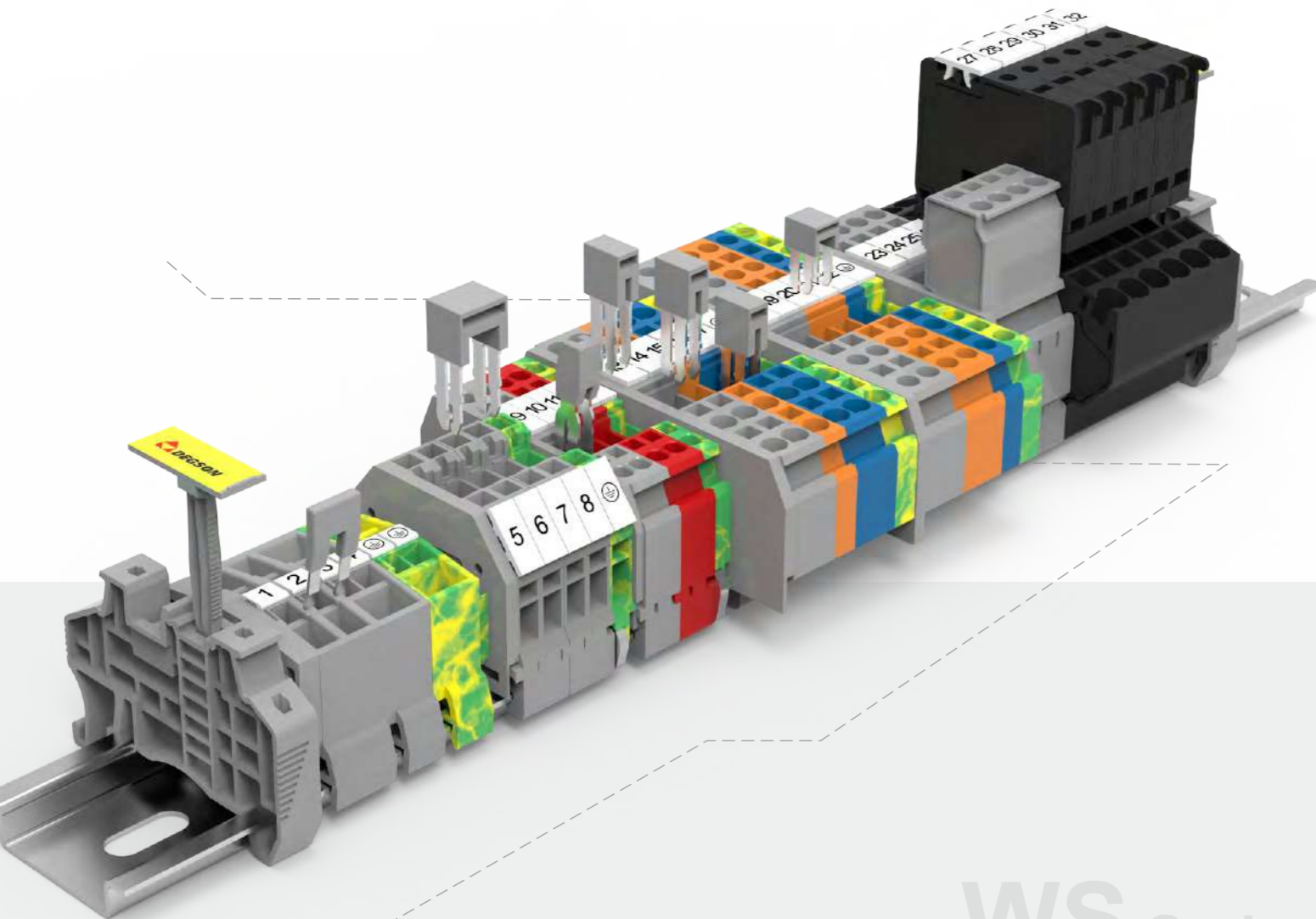
CE ENEC RoHS REACH

Order NO.	11040000991			
Width/Length/Height(NS35/7.5&NS35/15)	mm	6.2/57/45(53)		
Electrical Data		IEC IEC60947-7-1	UL UL1059	
Rated voltage	V	2000	600	
Rated current	A	24	20	
Rated cross section	mm ² / AWG	0.2-4	26-12	
Connection capacity		Solid	Stranded	Ferrule (with and without plastic sleeve)
1 conductor	mm ²	0.2-4	0.2-4	0.2-2.5 0.2-2.5
2 flexible conductors with a TWIN ferrule	mm ²	-	-	- 1
General Information				
Insulation material/Flammability rating (according to UL 94)		PA/V0		
Operation temperatures	°C (°F)	-40(-40)-105(221)		
Stripping length	mm	10-12		
Color		Grey, Red, Blue (please contact sales for other color requirements)		
Accessories				
Ferrule		/		
Slotted screwdriver size (Blade thickness x Width)	mm	0.6x3.5		
Bridge (2-10P 20P)		DFB2-6.2	DFB3-6.2	DFB4-6.2 DFB5-6.2 DFB6-6.2 DFB7-6.2 DFB8-6.2 DFB9-6.2 DFB10-6.2
End cover		D-DSHV2.5-2000		
Partition plate		ATP-DS / ATP-PC N		
Cover profile		AP3-COVER / AP3-T / AP3-T-KS		
Top marker		ZB6 / ZS6		
Side marker		/		
Marker support		DTH5-25x5 / DTH5-25x12		
Terminal strip marker support		DLM2 / KLM3-20x8 / KLM3-44x8		
End clamp		E-PC 1100A / E-WS N		
End cap		NS35/7.5-CAP NS35/15-CAP		

WS-Spring-cage Connection Terminal Blocks

Feature

- Proven Spring-cage connection technology with excellent seismic performance
- The spring compression force is constant, and the connection is stable and reliable.
- Pluggable bridge, high circuit connection efficiency
- Large area identification space, clear wiring

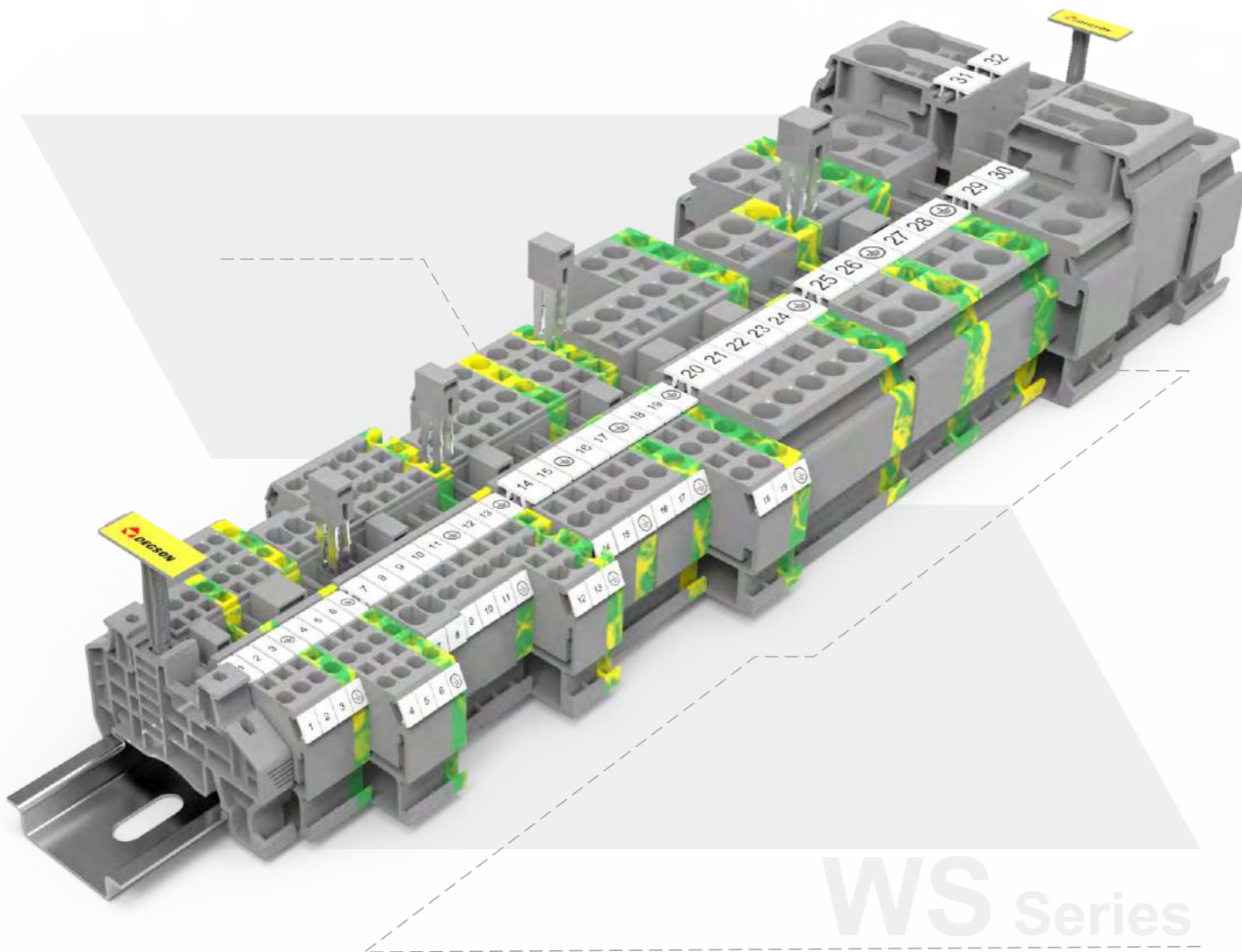


WS-Spring-cage connection terminal blocks adopt high-quality alloy structure, provide reliable and durable connection products. At the same time, the proven Spring-cage connection terminal blocks has excellent seismic performance and excellent performance in high vibration occasions such as railway, ship and equipment manufacturing. PA66 plastic parts can meet the working environment of -40°C to 105°C.

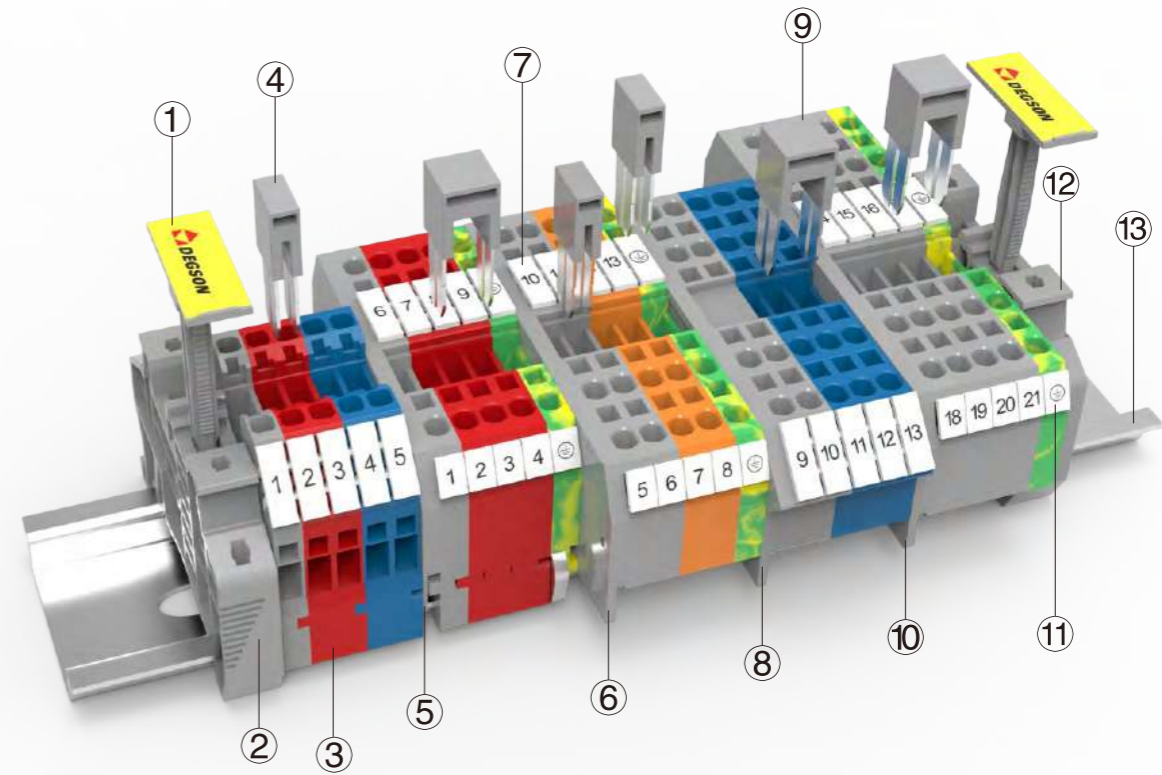
WS Series

WS Feed-through Terminal Blocks

- WS feed-through terminal blocks, with spring-cage connection technology ensure the good performance on anti-vibration
- Compact design saves space
- Compatible with the marking system to clearly identify the working area

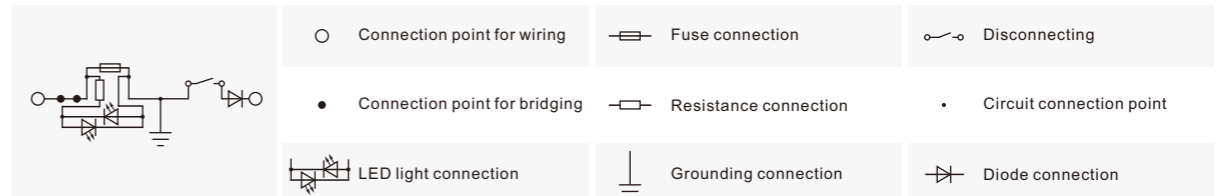


WS Series



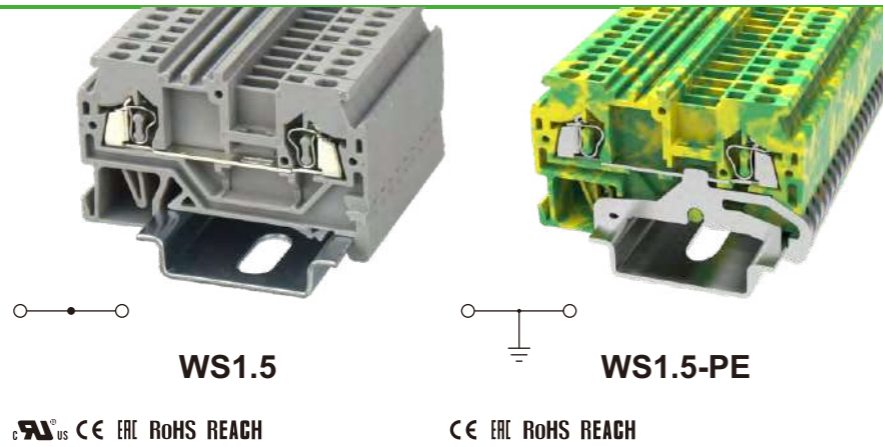
Description	Part No.	Remark
① Marker carrier	KLM3-20x8-11-00A(H)	Suitable for E-PC-1100A(H) & E-WS N
② End Clamp	E-WS N-01P-11-00A(H)	Fixing products on NS35 DIN rail
③ Terminal blocks	WS1.5-SD-01P-11-00A(H)	Spring-cage type 1.5mm ² DIN Rail terminal blocks
④ Adjacent jumper	WFA1.5-01P-11-00A(H)	02P bridge, use for WS1.5 series
⑤ End cover	D-WS1.5-01P-11-00A(H)	End cover is used for WS1.5&WS1.5-PE
⑥ End cover	D-WS1.5-TW-01P-11-00A(H)	End cover is used for WS1.5-TW&WS1.5-TW-PE
⑦ Marker	ZB4-10P-19-00A(H)	Marker is used for the top of WS1.5 series
⑧ End cover	D-WS1.5-QU-01P-11-100A(H)	End cover is used for WS1.5-QU-100A(H)
⑨ Alternate jumper	WFB1.5-01P-11-00A(H)	02P bridge, use for WS1.5 series
⑩ End cover	D-WS1.5-QU-01P-11-00A(H)	End cover is used for WS1.5-QU-100A(H)
⑪ Marker	DEK4-50P-19-00A(H)	Marker is used for the side of WS1.5 series
⑫ End Clamp	E-WS N-01P-11-00A(H)	Fixing products on NS35 DIN rail
⑬ DIN rail	NS35/7.5-0150-00A(H)	NS35 DIN rail

Circuit diagram



Spring-cage connection technology

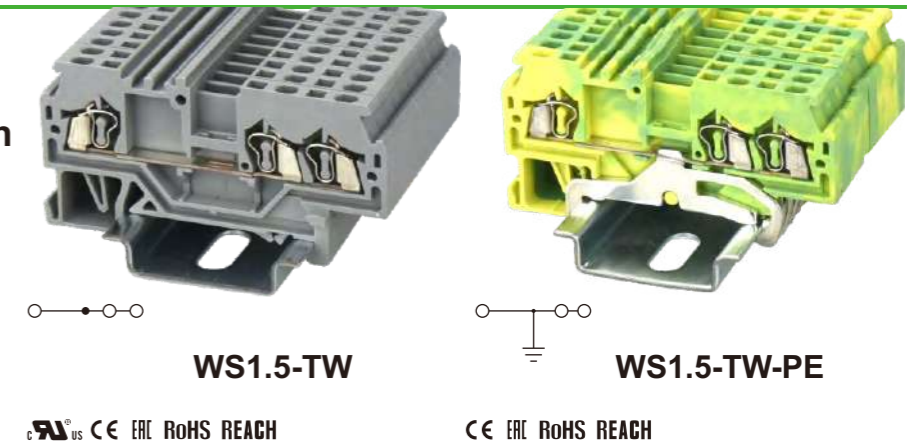
Feed-through, multi-conductor and ground terminal blocks


WS1.5
WS1.5-PE

Order NO.	11030000027				11030000064			
Width/Length/Height(NS35/7.5&NS35/15)	mm 4/51.8/34.55(42.05)				mm 4/51.8/34.55(42.05)			
Electrical Data	IEC IEC60947-7-1		UL UL1059		IEC IEC60947-7-2		UL UL1059	
Rated voltage	V 800		V 600		/		/	
Rated current	A 18		A 10		/		/	
Rated cross section	mm ² /AWG 0.2-1.5		mm ² /AWG 28-16		mm ² /AWG 0.2-1.5		mm ² /AWG 28-16	
Connection capacity	Solid	Stranded	Ferrule (with and without plastic sleeve)		Solid	Stranded	Ferrule (with and without plastic sleeve)	
1 conductor	mm ² 0.2-1.5	mm ² 0.2-1.5	mm ² 0.2-1.5	mm ² 0.2-1	mm ² 0.2-1.5	mm ² 0.2-1.5	mm ² 0.2-1.5	mm ² 0.2-1
2 flexible conductors with a TWIN ferrule	mm ² -	mm ² -	mm ² -	mm ² 0.5	mm ² -	mm ² -	mm ² -	mm ² 0.5
General Information								
Insulation material/Flammability rating (according to UL 94)	PA/V0				PA/V0			
Operation temperatures	°C (°F) -40(-40)~105(221)				°C (°F) -40(-40)~105(221)			
Stripping length	mm 8-9				mm 8-9			
Color	Grey, Red, Blue (please contact sales for other color requirements)				Yellow green mixed color			
Accessories								
Ferrule	/				/			
Slotted screwdriver size (Blade thickness x Width)	mm 0.4x2.5				mm 0.4x2.5			
Adjacent jumper	WFA1.5				/			
Alternate jumper	WFB1.5				/			
Staggered jumper	/				/			
End cover	D-WS1.5				D-WS1.5			
Partition plate	ATP-DS / ATP-PC N				ATP-DS / ATP-PC N			
Cover profile	AP3-COVER / AP3-T / AP3-T-KS				AP3-COVER / AP3-T / AP3-T-KS			
Top marker	ZB4 / WB4				ZB4 / WB4			
Side marker	DEK4				DEK4			
Warning cover	EEA1.5				EEA1.5			
Marker support	DTH3.5-25x3.5 / DTH3.5-25x12				DTH3.5-25x3.5 / DTH3.5-25x12			
Terminal strip marker support	DLM2 / KLM3-20x8 / KLM3-44x8				DLM2 / KLM3-20x8 / KLM3-44x8			
End clamp	E-PC 1100A / E-WS N				E-PC 1100A / E-WS N			
End cap	NS35/7.5-CAP NS35/15-CAP				NS35/7.5-CAP NS35/15-CAP			

Spring-cage connection technology

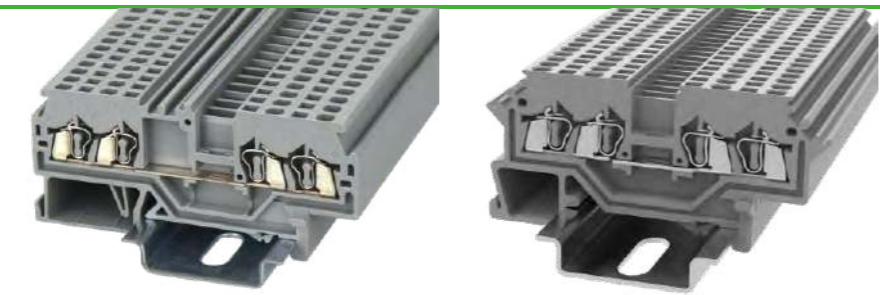
Feed-through, multi-conductor and ground terminal blocks


WS1.5-TW
WS1.5-TW-PE

Order NO.	11030000077				11030000080			
Width/Length/Height(NS35/7.5&NS35/15)	mm 4/62.5/34.55(42.05)				mm 4/62.5/34.55(42.05)			
Electrical Data	IEC IEC60947-7-1		UL UL1059		IEC IEC60947-7-2		UL UL1059	
Rated voltage	V 800		V 600		/		/	
Rated current	A 18		A 10		/		/	
Rated cross section	mm ² /AWG 0.2-1.5		mm ² /AWG 28-16		mm ² /AWG 0.2-1.5		mm ² /AWG 28-16	
Connection capacity	Solid	Stranded	Ferrule (with and without plastic sleeve)		Solid	Stranded	Ferrule (with and without plastic sleeve)	
1 conductor	mm ² 0.2-1.5	mm ² 0.2-1.5	mm ² 0.2-1.5	mm ² 0.2-1	mm ² 0.2-1.5	mm ² 0.2-1.5	mm ² 0.2-1.5	mm ² 0.2-1
2 flexible conductors with a TWIN ferrule	mm ² -	mm ² -	mm ² -	mm ² 0.5	mm ² -	mm ² -	mm ² -	mm ² 0.5
General Information								
Insulation material/Flammability rating (according to UL 94)	PA/V0				PA/V0			
Operation temperatures	°C (°F) -40(-40)~105(221)				°C (°F) -40(-40)~105(221)			
Stripping length	mm 8-9				mm 8-9			
Color	Grey, Red, Blue (please contact sales for other color requirements)				Yellow green mixed color			
Accessories								
Ferrule	/				/			
Slotted screwdriver size (Blade thickness x Width)	mm 0.4x2.5				mm 0.4x2.5			
Adjacent jumper	WFA1.5				/			
Alternate jumper	WFB1.5				/			
Staggered jumper	/				/			
End cover	D-WS1.5-TW				D-WS1.5-TW			
Partition plate	ATP-DS / ATP-PC N				ATP-DS / ATP-PC N			
Cover profile	AP3-COVER / AP3-T / AP3-T-KS				AP3-COVER / AP3-T / AP3-T-KS			
Top marker	ZB4 / WB4				ZB4 / WB4			
Side marker	DEK4				DEK4			
Warning cover	EEA1.5				EEA1.5			
Marker support	DTH3.5-25x3.5 / DTH3.5-25x12				DTH3.5-25x3.5 / DTH3.5-25x12			
Terminal strip marker support	DLM2 / KLM3-20x8 / KLM3-44x8				DLM2 / KLM3-20x8 / KLM3-44x8			
End clamp	E-PC 1100A / E-WS N				E-PC 1100A / E-WS N			
End cap	NS35/7.5-CAP NS35/15-CAP				NS35/7.5-CAP NS35/15-CAP			

Spring-cage connection technology

Feed-through, multi-conductor and ground terminal blocks


WS1.5-QU

WS1.5-QU-100A(H)

CE ERE RoHS REACH

CE ERE RoHS REACH

Order NO.	11030000065				11030000068			
Width/Length/Height(NS35/7.5&NS35/15)	mm 4/73/34.55(42.05)				mm 4/73/34.55(42.05)			
Electrical Data	IEC IEC60947-7-1		UL UL1059		IEC IEC60947-7-1		UL UL1059	
Rated voltage	V 800		600		V 800		600	
Rated current	A 18		10		A 18		10	
Rated cross section	mm ² /AWG 0.2-1.5		28-16		mm ² /AWG 0.2-1.5		28-16	
Connection capacity	Solid	Stranded	Ferrule (with and without plastic sleeve)		Solid	Stranded	Ferrule (with and without plastic sleeve)	
1 conductor	mm ² 0.2-1.5	0.2-1.5	0.2-1.5	0.2-1	mm ² 0.2-1.5	0.2-1.5	0.2-1.5	0.2-1
2 flexible conductors with a TWIN ferrule	mm ² -	-	-	0.5	mm ² -	-	-	0.5
General Information								
Insulation material/Flammability rating (according to UL 94)	PA/V0				PA/V0			
Operation temperatures	°C (°F) -40(-40)~105(221)				°C (°F) -40(-40)~105(221)			
Stripping length	mm 8-9				mm 8-9			
Color	Grey, Red, Blue (please contact sales for other color requirements)				Grey, Red, Blue (please contact sales for other color requirements)			
Accessories								
Ferrule	/				/			
Slotted screwdriver size (Blade thickness x Width)	mm 0.4x2.5				mm 0.4x2.5			
Adjacent jumper	WFA1.5				WFA1.5			
Alternate jumper	WFB1.5				WFB1.5			
Staggered jumper	/				/			
End cover	D-WS1.5-QU				D-WS1.5-QU			
Partition plate	ATP-DS / ATP-PC N				ATP-DS / ATP-PC N			
Cover profile	AP3-COVER / AP3-T / AP3-T-KS				AP3-COVER / AP3-T / AP3-T-KS			
Top marker	ZB4 / WB4				/			
Side marker	DEK4				ZB4 / WB4			
Warning cover	EEA1.5				EEA1.5			
Marker support	DTH3.5-25x3.5 / DTH3.5-25x12				DTH3.5-25x3.5 / DTH3.5-25x12			
Terminal strip marker support	DLM2 / KLM3-20x8 / KLM3-44x8				DLM2 / KLM3-20x8 / KLM3-44x8			
End clamp	E-PC 1100A / E-WS N				E-PC 1100A / E-WS N			
End cap	NS35/7.5-CAP NS35/15-CAP				NS35/7.5-CAP NS35/15-CAP			

Spring-cage connection technology

Feed-through, multi-conductor and ground terminal blocks

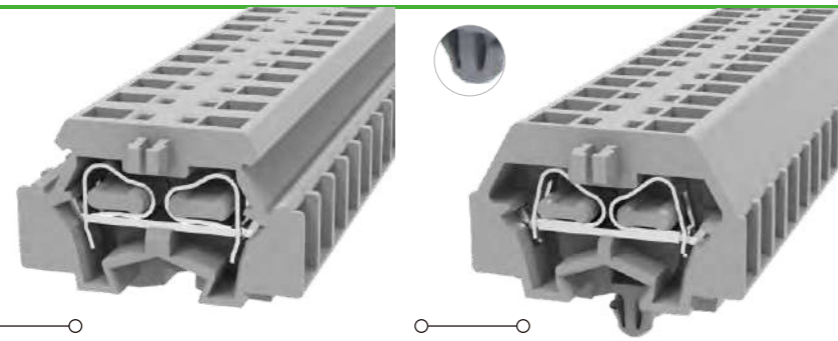

WS1.5-QU-PE

CE ERE RoHS REACH

Order NO.	11030000070			
Width/Length/Height(NS35/7.5&NS35/15)	mm 4/73/34.55(42.05)			
Electrical Data	IEC IEC60947-7-2		UL UL1059	
Rated voltage	V /		/	
Rated current	A /		/	
Rated cross section	mm ² /AWG 0.2-1.5		28-16	
Connection capacity	Solid	Stranded	Ferrule (with and without plastic sleeve)	
1 conductor	mm ² 0.2-1.5	0.2-1.5	0.2-1.5	0.2-1
2 flexible conductors with a TWIN ferrule	mm ² -	-	-	0.5
General Information				
Insulation material/Flammability rating (according to UL 94)	PA/V0			
Operation temperatures	°C (°F) -40(-40)~105(221)			
Stripping length	mm 8-9			
Color	Yellow green mixed color			
Accessories				
Ferrule	/			
Slotted screwdriver size (Blade thickness x Width)	mm 0.4x2.5			
Adjacent jumper	/			
Alternate jumper	/			
Staggered jumper	/			
End cover	D-WS1.5-QU			
Partition plate	ATP-DS / ATP-PC N			
Cover profile	AP3-COVER / AP3-T / AP3-T-KS			
Top marker	ZB4 / WB4			
Side marker	DEK4			
Warning cover	EEA1.5			
Marker support	DTH3.5-25x3.5 / DTH3.5-25x12			
Terminal strip marker support	DLM2 / KLM3-20x8 / KLM3-44x8			
End clamp	E-PC 1100A / E-WS N			
End cap	NS35/7.5-CAP NS35/15-CAP			

Spring-cage connection technology

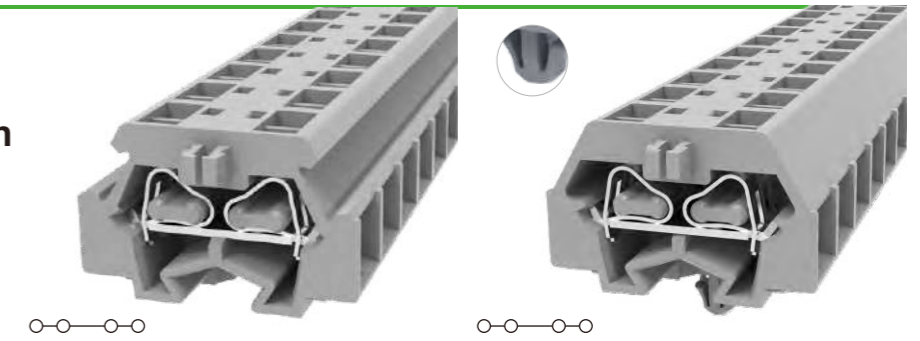
Feed-through, multi-conductor and ground terminal blocks


WS1.5-DB
WS1.5-DB-11A(H)

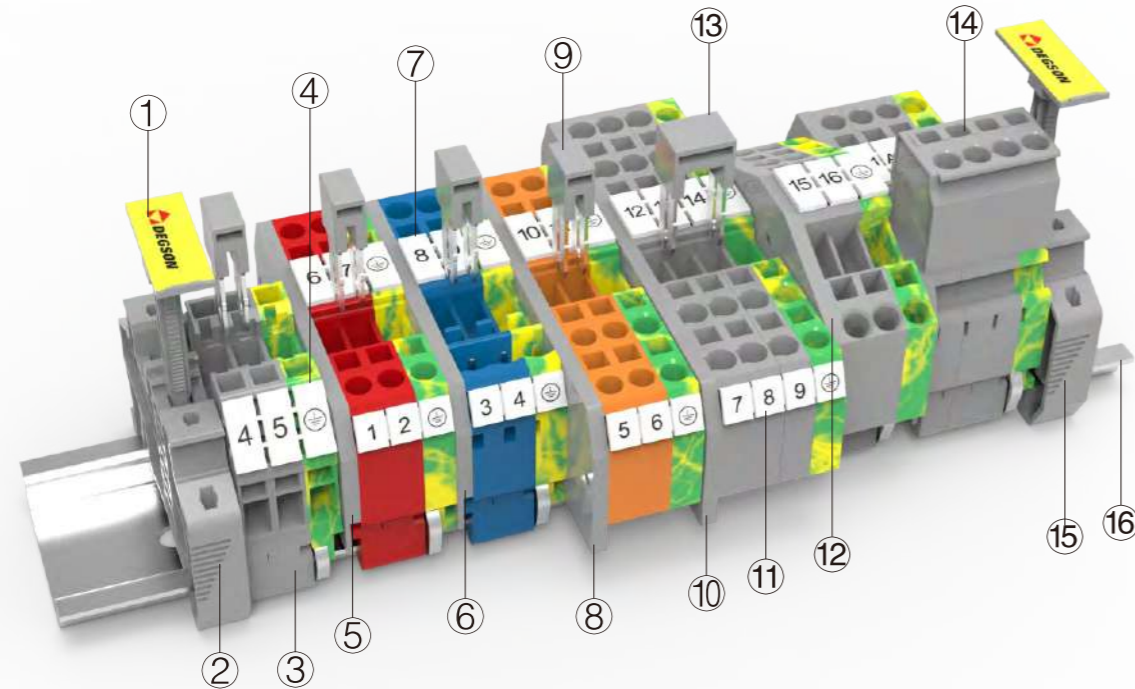
Order NO.	11030000035				11030000326				
Width/Length/Height	mm	5/25/17				5/25/17			
Electrical Data		IEC IEC60947-7-1		UL UL1059		IEC IEC60947-7-1		UL UL1059	
Rated voltage	V	800		300		800		300	
Rated current	A	17.5		10		17.5		10	
Rated cross section	mm ² /AWG	0.2-1.5		28-16		0.2-1.5		28-16	
Connection capacity		Solid	Stranded	Ferrule (with and without plastic sleeve)		Solid	Stranded	Ferrule (with and without plastic sleeve)	
1 conductor	mm ²	0.2-15	0.2-1.5	0.2-1.5	0.2-1.5	0.2-15	0.2-1.5	0.2-1.5	0.2-1
2 flexible conductors with a TWIN ferrule	mm ²	—	—	—	0.5	—	—	—	0.5
General Information									
Insulation material/Flammability rating (according to UL 94)		PA/V0				PA/V0			
Operation temperatures	°C (°F)	-40(-40)~105(221)				-40(-40)~105(221)			
Stripping length	mm	8-9				8-9			
Color		Grey, Red, Blue (please contact sales for other color requirements)				Grey, Red, Blue (please contact sales for other color requirements)			
Accessories									
Ferrule		/				/			
Slotted screwdriver size (Blade thickness x Width)	mm	/				/			
Adjacent jumper		0.4x2.5				0.4x2.5			
End cover		D-WS1.5-DB				D-WS1.5-DB			
Partition plate		ATP-DS / ATP-PC N				ATP-DS / ATP-PC N			
Cover profile		AP3-COVER / AP3-T / AP3-T-KS				AP3-COVER / AP3-T / AP3-T-KS			
Marker (Side)		DEK5				/			
Warning cover		/				/			
DIN rail mounting adapter		WHH-WS1.5-DB				/			
Terminal strip marker support		/				/			
End clamp		/				/			
End cap		/				/			

Spring-cage connection technology

Feed-through, multi-conductor and ground terminal blocks

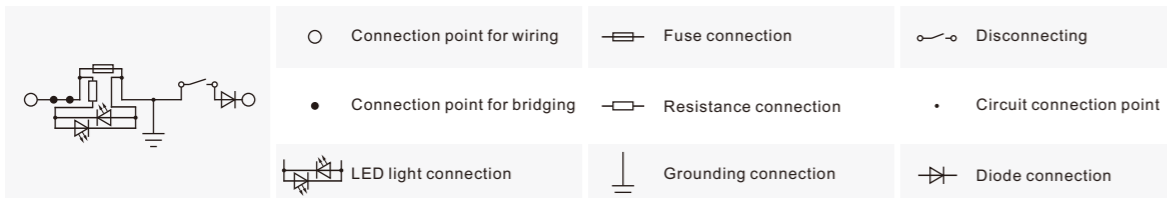

WS1.5T-DB
WS1.5T-DB-11A(H)

Order NO.	11030000072				11030000393				
Width/Length/Height	mm	8/25/17				8/25/17			
Electrical Data		IEC IEC60947-7-1		UL UL1059		IEC IEC60947-7-1		UL UL1059	
Rated voltage	V	800		300		800		300	
Rated current	A	17.5		10		17.5		10	
Rated cross section	mm ² /AWG	0.2-1.5		28-16		0.2-1.5		28-16	
Connection capacity		Solid	Stranded	Ferrule (with and without plastic sleeve)		Solid	Stranded	Ferrule (with and without plastic sleeve)	
1 conductor	mm ²	0.2-1.5	0.2-1.5	0.2-1.5	0.2-1.5	0.2-1.5	0.2-1.5	0.2-1.5	0.2-1
2 flexible conductors with a TWIN ferrule	mm ²	—	—	—	0.5	—	—	—	0.5
General Information									
Insulation material/Flammability rating (according to UL 94)		PA/V0				PA/V0			
Operation temperatures	°C (°F)	-40(-40)~105(221)				-40(-40)~105(221)			
Stripping length	mm	8-9				8-9			
Color		Grey, Red, Blue (please contact sales for other color requirements)				Grey, Red, Blue (please contact sales for other color requirements)			
Accessories									
Ferrule		/				/			
Slotted screwdriver size (Blade thickness x Width)	mm	/				/			
Adjacent jumper		0.4x2.5				0.4x2.5			
End cover		D-WS1.5-DB				D-WS1.5-DB			
Partition plate		ATP-DS / ATP-PC N				ATP-DS / ATP-PC N			
Cover profile		AP3-COVER / AP3-T / AP3-T-KS				AP3-COVER / AP3-T / AP3-T-KS			
Marker (Side)		DEK4				/			
Warning cover		/				/			
DIN rail mounting adapter		WHH-WS1.5-DB				/			
Terminal strip marker support		/				/			
End clamp		/				/			
End cap		/				/			



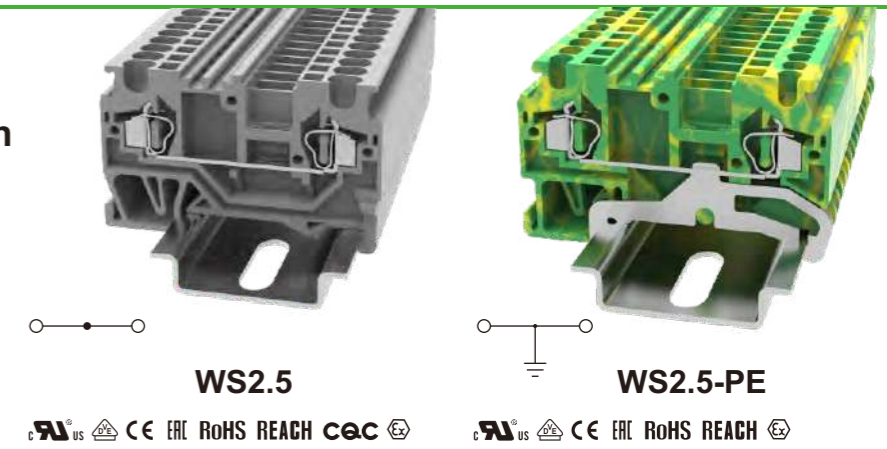
Description	Part No.	Remark
① Marker carrier	KLM3-20x8-11-00A(H)	Suitable for E-PC-1100A(H) & E-WS N
② End Clamp	E-WS N-01P-11-00A(H)	Fixing products on NS35 DIN rail
③ Terminal blocks	WS2.5-SD-01P-11-00A(H)	Spring-cage type 2.5mm ² DIN Rail terminal blocks
④ Marker	ZB5-10P-19-00A(H)	Marker is used for the side of WS2.5-SD series
⑤ End cover	D-WS2.5-01P-11-00A(H)	End cover is used for WS2.5&WS2.5-PE
⑥ End cover	D-WS2.5P-01P-11-00A(H)	End cover is used for WS2.5P&WS2.5P-PE
⑦ Marker	ZB5-10P-19-00A(H)	Marker is used for the top of WS2.5 series
⑧ End cover	D-WS2.5-TW-01P-11-00A(H)	End cover is used for WS2.5-TW&WS2.5-TW-PE
⑨ Adjacent jumper	WFA2.5-01P-11-00A(H)	02P bridge, use for WS2.5 series
⑩ End cover	D-WS2.5-QU-01P-11-00A(H)	End cover is used for WS2.5-QU&WS2.5-QU-PE
⑪ Marker	DEK5-50P-19-00A(H)	Marker is used for the side of WS2.5 series
⑫ End cover	D-WS2.5-TW-TA-01P-11-00A(H)	End cover is used for WS2.5-TW-TA&WS2.5-TW-TA-PE
⑬ Alternate jumper	E-WS N-01P-11-00A(H)	02P bridge, use for WS2.5 series
⑭ Plug	8EDGK-5.0-04P-11-01A(H)	Mating with WS2.5P&WS2.5P-PE
⑮ End Clamp	E-WS-01P-11-00A(H)	Fixing products on NS35 DIN rail
⑯ DIN rail	NS35/7.5-0150-00A(H)	NS35 DIN rail

Circuit diagram



Spring-cage connection technology

Feed-through, multi-conductor and ground terminal blocks



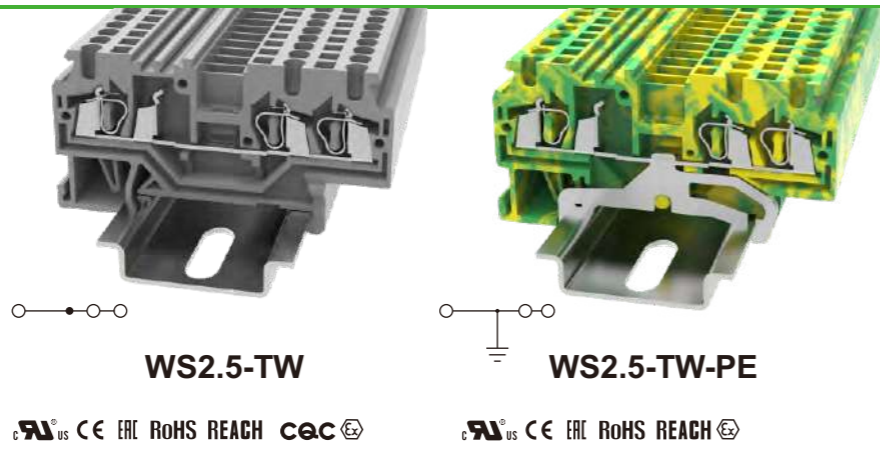
Order NO.	11030000106				11030000184			
Width/Length/Height(NS35/7.5&NS35/15)	mm				5/53/35.45(42.95)			
Electrical Data	IEC		UL		IEC		UL	
	IEC60947-7-1		UL1059		IEC60947-7-2		UL1059	
Rated voltage	V		800		600		/	
Rated current	A		24		15		/	
Rated cross section	mm ² /AWG		0.2-2.5		28-14		0.2-2.5 28-14	
Connection capacity	Solid		Stranded		Ferrule (with and without plastic sleeve)		Solid Stranded Ferrule (with and without plastic sleeve)	
	1 conductor		mm ²		0.2-2.5 0.2-2.5 0.2-2.5 0.2-2.5		0.2-2.5 0.2-2.5 0.2-2.5 0.2-2.5	
2 flexible conductors with a TWIN ferrule		mm ²		— — — 0.5		— — — 0.5		

General Information		
Insulation material/Flammability rating (according to UL 94)	PA/V0	
Operation temperatures	°C (°F) -40(-40)~105(221)	
Stripping length	mm 8-9	
Color	Grey, Red, Blue (please contact sales for other color requirements) Yellow green mixed color	

Accessories		
Ferrule	/	
Slotted screwdriver size (Blade thickness x Width)	mm 0.4x2.5	
Adjacent jumper	WFA2.5 /	
Alternate jumper	WFB2.5 /	
Staggered jumper	WFC2.5-2 WFC2.5-3 WFC2.5-4 WFC2.5-5 WFC2.5-6 WFC2.5-7 WFC2.5-8 /	
End cover	D-WS2.5 D-WS2.5	
Partition plate	ATP-DS / ATP-PC N ATP-DS / ATP-PC N	
Cover profile	AP3-COVER / AP3-T / AP3-T-KS AP3-COVER / AP3-T / AP3-T-KS	
Top marker	ZB5 / WB5 / ZS5 ZB5 / WB5 / ZS5	
Side marker	DEK5 DEK5	
Warning cover	EEA2.5 EEA2.5	
Marker support	DTH5-25x5 / DTH5-25x12 DTH5-25x5 / DTH5-25x12	
Terminal strip marker support	DLM2 / KLM3-20x8 / KLM3-44x8 DLM2 / KLM3-20x8 / KLM3-44x8	
End clamp	E-PC 1100A / E-WS N E-PC 1100A / E-WS N	
End cap	NS35/7.5-CAP NS35/15-CAP NS35/7.5-CAP NS35/15-CAP	

Spring-cage connection technology

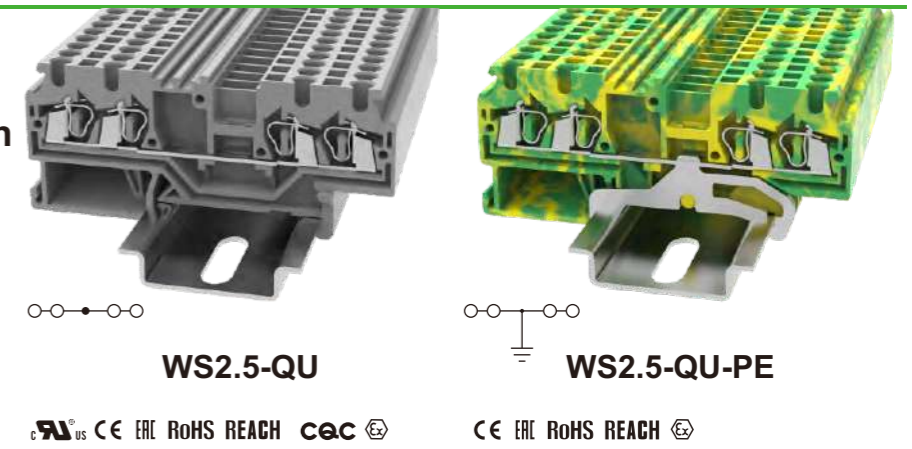
Feed-through, multi-conductor and ground terminal blocks



Order NO.	11030000236				11030000264			
Width/Length/Height(NS35/7.5&NS35/15)	mm 5/64.2/35.45(42.95)				mm 5/64.2/35.45(42.95)			
Electrical Data	IEC IEC60947-7-1		UL UL1059		IEC IEC60947-7-2		UL UL1059	
Rated voltage	V 800		V 600		/		/	
Rated current	A 24		A 15		/		/	
Rated cross section	mm ² /AWG 0.2-2.5		mm ² /AWG 28-14		mm ² /AWG 0.2-2.5		mm ² /AWG 28-14	
Connection capacity	Solid	Stranded	Ferrule (with and without plastic sleeve)		Solid	Stranded	Ferrule (with and without plastic sleeve)	
1 conductor	mm ² 0.2-2.5	mm ² 0.2-2.5	mm ² 0.2-2.5	mm ² 0.2-2.5	mm ² 0.2-2.5	mm ² 0.2-2.5	mm ² 0.2-2.5	mm ² 0.2-2.5
2 flexible conductors with a TWIN ferrule	mm ² -	mm ² -	mm ² -	mm ² 0.5	mm ² -	mm ² -	mm ² -	mm ² 0.5
General Information								
Insulation material/Flammability rating (according to UL 94)	PA/V0				PA/V0			
Operation temperatures	°C (°F) -40(-40)~105(221)				°C (°F) -40(-40)~105(221)			
Stripping length	mm 9				mm 9			
Color	Grey, Red, Blue (please contact sales for other color requirements)				Yellow green mixed color			
Accessories								
Ferrule	/				/			
Slotted screwdriver size (Blade thickness x Width)	mm 0.5x3.5				mm 0.5x3.5			
Adjacent jumper	WFA2.5				/			
Alternate jumper	WFB2.5				/			
Staggered jumper	WFC2.5-2 WFC2.5-6		WFC2.5-3 WFC2.5-7		WFC2.5-4 WFC2.5-8		WFC2.5-5	
End cover	D-WS2.5-TW				D-WS2.5-TW			
Partition plate	ATP-DS / ATP-PC N				ATP-DS / ATP-PC N			
Cover profile	AP3-COVER / AP3-T / AP3-T-KS				AP3-COVER / AP3-T / AP3-T-KS			
Top marker	ZB5 / WB5 / ZS5				ZB5 / WB5 / ZS5			
Side marker	DEK5				DEK5			
Warning cover	EEA2.5				EEA2.5			
Marker support	DTH5-25x5 / DTH5-25x12				DTH5-25x5 / DTH5-25x12			
Terminal strip marker support	DLM2 / KLM3-20x8 / KLM3-44x8				DLM2 / KLM3-20x8 / KLM3-44x8			
End clamp	E-PC 1100A / E-WS N				E-PC 1100A / E-WS N			
End cap	NS35/7.5-CAP NS35/15-CAP				NS35/7.5-CAP NS35/15-CAP			

Spring-cage connection technology

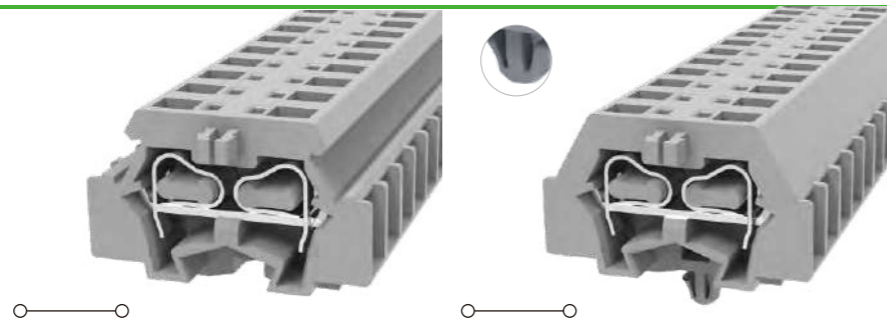
Feed-through, multi-conductor and ground terminal blocks



Order NO.	11030000190				11030000194			
Width/Length/Height(NS35/7.5&NS35/15)	mm 5/75.5/35.45(42.95)				mm 5/75.5/35.45(42.95)			
Electrical Data	IEC IEC60947-7-1		UL UL1059		IEC IEC60947-7-2		UL UL1059	
Rated voltage	V 800		V 600		/		/	
Rated current	A 24		A 15		/		/	
Rated cross section	mm ² /AWG 0.2-2.5		mm ² /AWG 28-14		mm ² /AWG 0.2-2.5		mm ² /AWG 28-14	
Connection capacity	Solid	Stranded	Ferrule (with and without plastic sleeve)		Solid	Stranded	Ferrule (with and without plastic sleeve)	
1 conductor	mm ² 0.2-2.5	mm ² 0.2-2.5	mm ² 0.2-2.5	mm ² 0.2-2.5	mm ² 0.2-2.5	mm ² 0.2-2.5	mm ² 0.2-2.5	mm ² 0.2-2.5
2 flexible conductors with a TWIN ferrule	mm ² -	mm ² -	mm ² -	mm ² 0.5	mm ² -	mm ² -	mm ² -	mm ² 0.5
General Information								
Insulation material/Flammability rating (according to UL 94)	PA/V0				PA/V0			
Operation temperatures	°C (°F) -40(-40)~105(221)				°C (°F) -40(-40)~105(221)			
Stripping length	mm 9				mm 9			
Color	Grey, Red, Blue (please contact sales for other color requirements)				Yellow green mixed color			
Accessories								
Ferrule	/				/			
Slotted screwdriver size (Blade thickness x Width)	mm 0.5x3.5				mm 0.5x3.5			
Adjacent jumper	WFA2.5				/			
Alternate jumper	WFB2.5				/			
Staggered jumper	WFC2.5-2 WFC2.5-6		WFC2.5-3 WFC2.5-7		WFC2.5-4 WFC2.5-8		WFC2.5-5	
End cover	D-WS2.5-QU				D-WS2.5-QU			
Partition plate	ATP-DS / ATP-PC N				ATP-DS / ATP-PC N			
Cover profile	AP3-COVER / AP3-T / AP3-T-KS				AP3-COVER / AP3-T / AP3-T-KS			
Top marker	ZB5 / WB5 / ZS5				ZB5 / WB5 / ZS5			
Side marker	DEK5				DEK5			
Warning cover	EEA2.5				EEA2.5			
Marker support	DTH5-25x5 / DTH5-25x12				DTH5-25x5 / DTH5-25x12			
Terminal strip marker support	DLM2 / KLM3-20x8 / KLM3-44x8				DLM2 / KLM3-20x8 / KLM3-44x8			
End clamp	E-PC 1100A / E-WS N				E-PC 1100A / E-WS N			
End cap	NS35/7.5-CAP NS35/15-CAP				NS35/7.5-CAP NS35/15-CAP			

Spring-cage connection technology

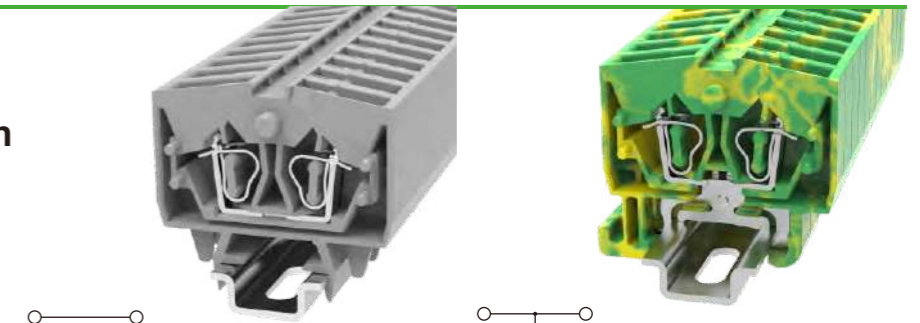
Feed-through, multi-conductor and ground terminal blocks


WS2.5-DB
WS2.5-DB-11A(H)

Order NO.	11030000577				11030000133				
Width/Length/Height	mm	6/28/18				6/28/18			
Electrical Data		IEC IEC60947-7-1		UL UL1059		IEC IEC60947-7-1		UL UL1059	
Rated voltage	V	800		300		800		300	
Rated current	A	24		15		24		15	
Rated cross section	mm ² /AWG	0.2-2.5		28-14		0.2-2.5		28-14	
Connection capacity		Solid	Stranded	Ferrule (with and without plastic sleeve)		Solid	Stranded	Ferrule (with and without plastic sleeve)	
1 conductor	mm ²	0.2-2.5	0.2-2.5	0.2-2.5	0.2-2.5	0.2-2.5	0.2-2.5	0.2-2.5	0.2-1.5
2 flexible conductors with a TWIN ferrule	mm ²	—	—	—	0.5	—	—	—	0.5
General Information									
Insulation material/Flammability rating (according to UL 94)		PA/V0				PA/V0			
Operation temperatures	°C (°F)	-40(-40)~105(221)				-40(-40)~105(221)			
Stripping length	mm	8-9				8-9			
Color		Grey, Red, Blue (please contact sales for other color requirements)				Grey, Red, Blue (please contact sales for other color requirements)			
Accessories									
Ferrule		/				/			
Slotted screwdriver size (Blade thickness x Width)	mm	/				/			
Adjacent jumper		0.5x3.5				0.5x3.5			
End cover		D-WS1.5-DB				D-WS1.5-DB			
Partition plate		ATP-DS / ATP-PC N				ATP-DS / ATP-PC N			
Cover profile		AP3-COVER / AP3-T / AP3-T-KS				AP3-COVER / AP3-T / AP3-T-KS			
Marker (Side)		DEK6				/			
Warning cover		/				/			
DIN rail mounting adapter		WHH-WS1.5-DB				/			
Terminal strip marker support		/				/			
End clamp		/				/			
End cap		/				/			

Spring-cage connection technology

Feed-through, multi-conductor and ground terminal blocks


WS2.5-DIN15
WS2.5-DIN15-PE

Order NO.	11030000153				11030000794				
Width/Length/Height	mm	6/32/31.88				6/32/31.88			
Electrical Data		IEC IEC60947-7-1		UL UL1059		IEC IEC60947-7-1		UL UL1059	
Rated voltage	V	800		600		/		/	
Rated current	A	24		20		/		/	
Rated cross section	mm ² /AWG	0.2-2.5		28-12		0.2-2.5		28-12	
Connection capacity		Solid	Stranded	Ferrule (with and without plastic sleeve)		Solid	Stranded	Ferrule (with and without plastic sleeve)	
1 conductor	mm ²	0.2-2.5	0.2-2.5	0.2-2.5	0.2-2.5	0.2-2.5	0.2-2.5	0.2-2.5	0.2-2.5
2 flexible conductors with a TWIN ferrule	mm ²	—	—	—	0.5	—	—	—	0.5
General Information									
Insulation material/Flammability rating (according to UL 94)		PA/V0				PA/V0			
Operation temperatures	°C (°F)	-40(-40)~105(221)				-40(-40)~105(221)			
Stripping length	mm	8-9				8-9			
Color		Grey, Red, Blue (please contact sales for other color requirements)				Yellow green mixed color			
Accessories									
Ferrule		/				/			
Slotted screwdriver size (Blade thickness x Width)	mm	0.5x3.5				0.5x3.5			
Adjacent jumper(2P)		WFE-2.5				WFE-2.5			
End cover		D-WS2.5-MID-CO				D-WS2.5-MID-CO			
Partition plate		ATP-DS / ATP-PC N				ATP-DS / ATP-PC N			
Cover profile		AP3-COVER / AP3-T / AP3-T-KS				AP3-COVER / AP3-T / AP3-T-KS			
Marker (Side)		ZW5				ZW5			
Warning cover		/				/			
DIN rail mounting adapter		WHH-WS1.5-DB				/			
Terminal strip marker support		/				/			
End clamp		/				/			
End cap		/				/			

Spring-cage connection technology

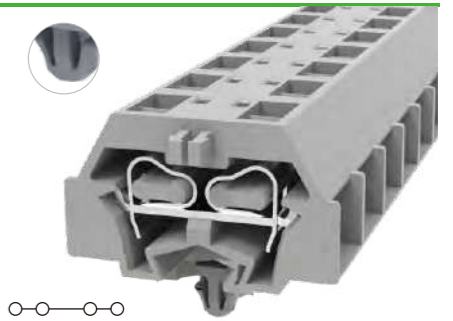
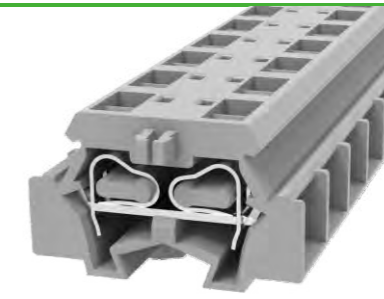
Feed-through, multi-conductor and ground terminal blocks


WS2.5-MID-CO
WS2.5-END-CO

Order NO.	11030000157				11030000156				
Width/Length/Height	mm	6/32/22				12/32/22			
Electrical Data		IEC IEC60947-7-1		UL UL1059		IEC IEC60947-7-1		UL UL1059	
Rated voltage	V	800		600		800		600	
Rated current	A	24		20		24		20	
Rated cross section	mm ² /AWG	0.2-2.5		28-12		0.2-2.5		28-12	
Connection capacity		Solid	Stranded	Ferrule (with and without plastic sleeve)		Solid	Stranded	Ferrule (with and without plastic sleeve)	
1 conductor	mm ²	0.2-2.5	0.2-2.5	0.2-1.5	0.2-1.5	0.2-2.5	0.2-2.5	0.2-1.5	0.2-1.5
2 flexible conductors with a TWIN ferrule	mm ²	—	—	—	0.5	—	—	—	0.5
General Information									
Insulation material/Flammability rating (according to UL 94)		PA/V0				PA/V0			
Operation temperatures	°C (°F)	-40(-40)~105(221)				-40(-40)~105(221)			
Stripping length	mm	8-9				8-9			
Color		Grey, Red, Blue (please contact sales for other color requirements)				Grey, Red, Blue (please contact sales for other color requirements)			
Accessories									
Ferrule		/				/			
Slotted screwdriver size (Blade thickness x Width)	mm	0.5x3.5				0.5x3.5			
Adjacent jumper(2P)		WFE-2.5				WFE-2.5			
Alternate jumper		/				/			
Staggered jumper		/				/			
End cover		D-WS2.5-MID-CO				D-WS2.5-END-CO			
Partition plate		ATP-DS / ATP-PC N				ATP-DS / ATP-PC N			
Cover profile		AP3-COVER / AP3-T / AP3-T-KS				AP3-COVER / AP3-T / AP3-T-KS			
Top marker		ZW5				ZW5			
Side marker		/				/			
Warning cover		/				/			
Marker support		/				/			
Terminal strip marker support		/				/			
End clamp		/				/			
End cap		/				/			

Spring-cage connection technology

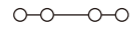
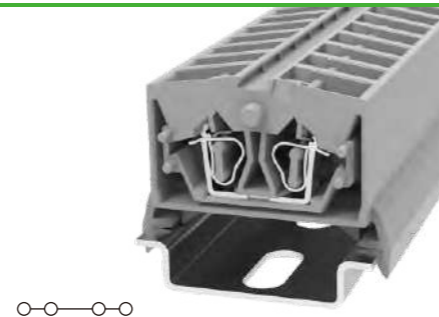
Feed-through, multi-conductor and ground terminal blocks


WS2.5T-DB
WS2.5T-DB-11A(H)

Order NO.	11030000197				11030000373				
Width/Length/Height	mm	10/28/18				10/28/18			
Electrical Data		IEC IEC60947-7-1		UL UL1059		IEC IEC60947-7-1		UL UL1059	
Rated voltage	V	800		300		800		300	
Rated current	A	24		15		24		15	
Rated cross section	mm ² /AWG	0.2-2.5		28-14		0.2-2.5		28-14	
Connection capacity		Solid	Stranded	Ferrule (with and without plastic sleeve)		Solid	Stranded	Ferrule (with and without plastic sleeve)	
1 conductor	mm ²	0.2-2.5	0.2-2.5	0.2-2.5	0.2-2.5	0.2-2.5	0.2-2.5	0.2-2.5	0.2-2.5
2 flexible conductors with a TWIN ferrule	mm ²	—	—	—	0.5	—	—	—	0.5
General Information									
Insulation material/Flammability rating (according to UL 94)		PA/V0				PA/V0			
Operation temperatures	°C (°F)	-40(-40)~105(221)				-40(-40)~105(221)			
Stripping length	mm	8-9				8-9			
Color		Grey, Red, Blue (please contact sales for other color requirements)				Grey, Red, Blue (please contact sales for other color requirements)			
Accessories									
Ferrule		/				/			
Slotted screwdriver size (Blade thickness x Width)	mm	0.5x3.5				0.5x3.5			
Adjacent jumper(2P)		WFE-2.5				WFE-2.5			
End cover		D-WS2.5-DB				D-WS2.5-DB			
Partition plate		ATP-DS / ATP-PC N				ATP-DS / ATP-PC N			
Cover profile		AP3-COVER / AP3-T / AP3-T-KS				AP3-COVER / AP3-T / AP3-T-KS			
Marker (Side)		DEK5				/			
Warning cover		/				/			
DIN rail mounting adapter		WHH-WS1.5-DB				/			
Terminal strip marker support		/				/			
End clamp		/				/			
End cap		/				/			

Spring-cage connection technology

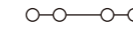
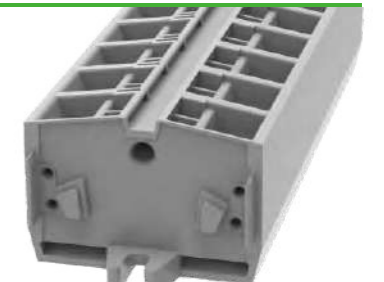
Feed-through, multi-conductor and ground terminal blocks


WS2.5T-DIN15

WS2.5T-DIN35

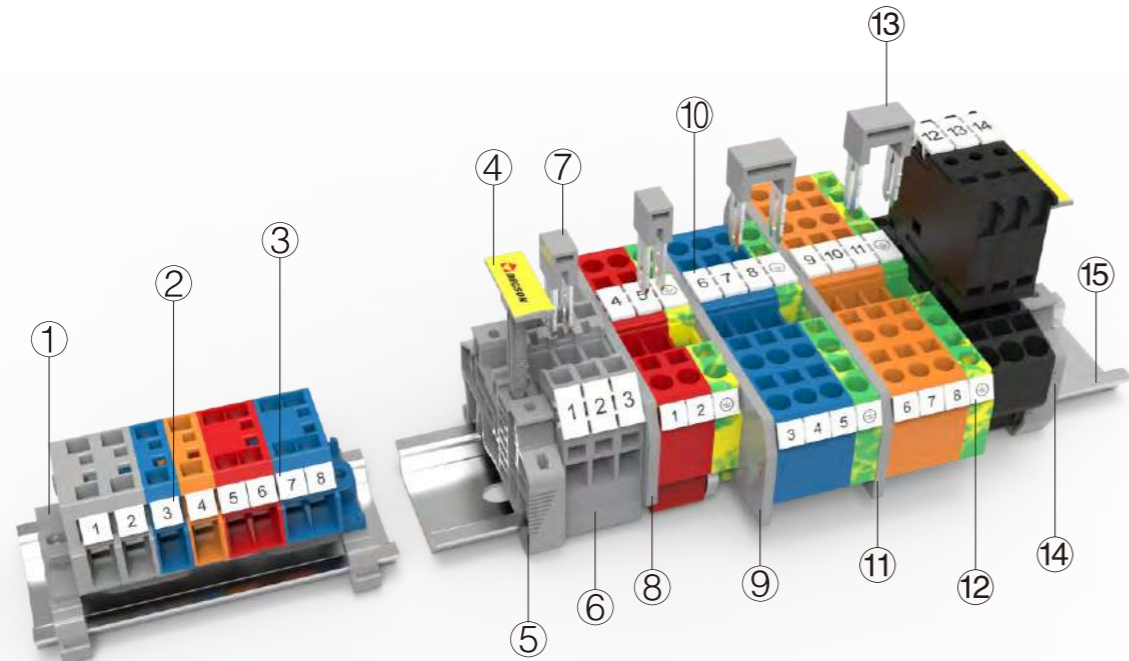

Order NO.	11030000226				11030000688				
Width/Length/Height	mm	10/32/31.88				10/32/31.88(39.38)			
Electrical Data		IEC IEC60947-7-1		UL UL1059		IEC IEC60947-7-1		UL UL1059	
Rated voltage	V	800		600		800		600	
Rated current	A	24		20		24		20	
Rated cross section	mm ² /AWG	0.2-2.5		28-12		0.2-2.5		28-12	
Connection capacity		Solid	Stranded	Ferrule (with and without plastic sleeve)		Solid	Stranded	Ferrule (with and without plastic sleeve)	
1 conductor	mm ²	0.2-2.5	0.2-2.5	0.2-1.5	0.2-1.5	0.2-2.5	0.2-2.5	0.2-1.5	0.2-1.5
2 flexible conductors with a TWIN ferrule	mm ²	—	—	—	0.5	—	—	—	0.5
General Information									
Insulation material/Flammability rating (according to UL 94)		PA/V0				PA/V0			
Operation temperatures	°C (°F)	-40(-40)~105(221)				-40(-40)~105(221)			
Stripping length	mm	8-9				8-9			
Color		Grey, Red, Blue (please contact sales for other color requirements)				Grey, Red, Blue (please contact sales for other color requirements)			
Accessories									
Ferrule		/				/			
Slotted screwdriver size (Blade thickness x Width)	mm	0.5x3.5				0.5x3.5			
Adjacent jumper(2P)		/				/			
End cover		D-WS2.5-MID-CO				D-WS2.5-MID-CO			
Partition plate		ATP-DS / ATP-PC N				ATP-DS / ATP-PC N			
Cover profile		AP3-COVER / AP3-T / AP3-T-KS				AP3-COVER / AP3-T / AP3-T-KS			
Marker (Side)		ZW5				ZW5			
Warning cover		/				/			
DIN rail mounting adapter		WHH-WS1.5-DB				/			
Terminal strip marker support		/				/			
End clamp		NS15				NS35/7.5 & NS35/15 Steel and Aluminium alloy are optional)			
End cap		NS35/7.5-CAP NS35/15-CAP				NS35/7.5-CAP NS35/15-CAP			

Spring-cage connection technology

Feed-through, multi-conductor and ground terminal blocks

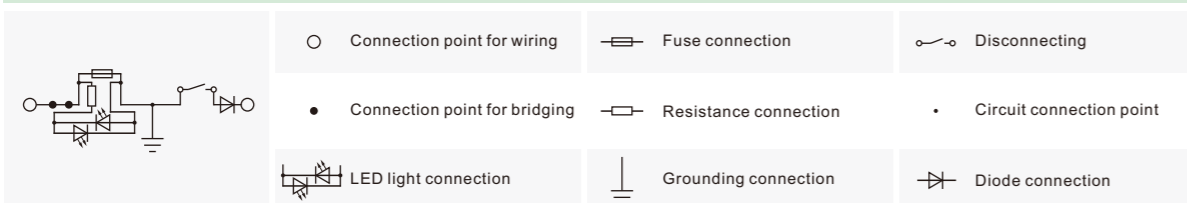

WS2.5T-MID-CO

WS2.5T-END-CO


Order NO.	11030000229				11030000228				
Width/Length/Height	mm	10/32/22				10/32/22			
Electrical Data		IEC IEC60947-7-1		UL UL1059		IEC IEC60947-7-1		UL UL1059	
Rated voltage	V	800		600		800		600	
Rated current	A	24		20		24		20	
Rated cross section	mm ² /AWG	0.2-2.5		28-12		0.2-2.5		28-12	
Connection capacity		Solid	Stranded	Ferrule (with and without plastic sleeve)		Solid	Stranded	Ferrule (with and without plastic sleeve)	
1 conductor	mm ²	0.2-2.5	0.2-2.5	0.2-1.5	0.2-1.5	0.2-2.5	0.2-2.5	0.2-1.5	0.2-1.5
2 flexible conductors with a TWIN ferrule	mm ²	—	—	—	0.5	—	—	—	0.5
General Information									
Insulation material/Flammability rating (according to UL 94)		PA/V0				PA/V0			
Operation temperatures	°C (°F)	-40(-40)~105(221)				-40(-40)~105(221)			
Stripping length	mm	8-9				8-9			
Color		Grey, Red, Blue (please contact sales for other color requirements)				Grey, Red, Blue (please contact sales for other color requirements)			
Accessories									
Ferrule		/				/			
Slotted screwdriver size (Blade thickness x Width)	mm	0.5x3.5				0.5x3.5			
Adjacent jumper		/				/			
Alternate jumper		/				/			
Staggered jumper		/				/			
End cover		D-WS2.5-MID-CO				D-WS2.5-END-CO			
Partition plate		ATP-DS / ATP-PC N				ATP-DS / ATP-PC N			
Cover profile		AP3-COVER / AP3-T / AP3-T-KS				AP3-COVER / AP3-T / AP3-T-KS			
Top marker		ZW5				ZW5			
Side marker		/				/			
Warning cover		/				/			
Marker support		/				/			
Terminal strip marker support		/				/			
End clamp		/				/			
End cap		/				/			



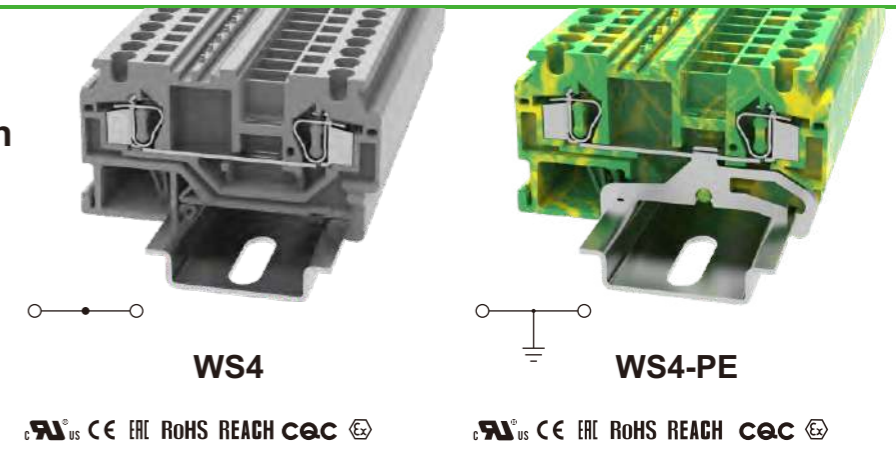
Description	Part No.	Remark
① Mounting foot with screw	WHH-WS1.5-DB-01P-11-00A(H)	For DIN35, can be screwed on terminal blocks with mounting flange
② Marker	DEK6-50P-19-00A(H)	Marker is used for the side of WS4-DB series
③ Marker	DEK6-50P-19-00A(H)	Marker is used for the side of WS4T-DB series
④ Marker carrier	KLM3-20x8-11-00A(H)	Suitable for E-PC-1100A(H) & E-WS N
⑤ End clamp	E-WS N-01P-11-00A(H)	Fixing products on NS35 DIN rail
⑥ Terminal blocks	WS4-SD-01P-11-00A(H)	Spring-cage type 4mm ² DIN Rail terminal blocks
⑦ Adjacent jumper	WFA4-01P-11-00A(H)	02P bridge, use for WS4 series
⑧ End cover	D-WS4-01P-11-00A(H)	End cover is used for WS4&WS4-PE
⑨ End cover	D-WS4-TW-01P-11-00A(H)	End cover is used for WS4-TW&WS4-TW-PE
⑩ Marker	ZB6-10P-19-00A(H)	Marker is used for the top of WS4 series
⑪ End cover	D-WS4-QU-01P-11-00A(H)	End cover is used for WS4-QU&WS4-QU-PE
⑫ Marker	DEK6-50P-19-00A(H)	Marker is used for the side of WS4 series
⑬ Alternate jumper	WFB4-01P-11-00A(H)	02P bridge, use for WS4 series
⑭ End clamp	E-WS N-01P-11-00A(H)	Fixing products on NS35 DIN rail
⑮ DIN rail	NS35/7.5-0150-00A(H)	NS35 DIN rail

Circuit diagram



Spring-cage connection technology

Feed-through, multi-conductor and ground terminal blocks



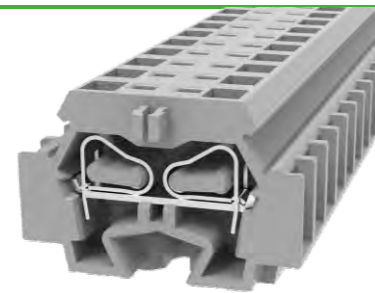
Order NO.	11030000273				11030000291			
Width/Length/Height(NS35/7.5&NS35/15)	mm				6/60.4/36.45(43.95)			
Electrical Data	IEC		UL		IEC		UL	
	IEC60947-7-1		UL1059		IEC60947-7-2		UL1059	
Rated voltage	V		800		600		/	
Rated current	A		24		15		/	
Rated cross section	mm ² /AWG		0.2-4		28-12		0.2-4 28-12	
Connection capacity			Solid	Stranded	Ferrule (with and without plastic sleeve)			
	1 conductor		mm ²	0.2-4	0.2-4	0.2-4	0.2-4	0.2-4
2 flexible conductors with a TWIN ferrule		mm ²	-	-	-	0.5-1	-	0.5-1

General Information		
Insulation material/Flammability rating (according to UL 94)	PA/V0	
Operation temperatures	°C (°F)	
	-40(-40)~105(221)	
Stripping length	mm	
	13-14	
Color	Grey, Red, Blue (please contact sales for other color requirements)	
	Yellow green mixed color	

Accessories		
Ferrule	/	
Slotted screwdriver size (Blade thickness x Width)	mm	
	0.5x3.5	
Adjacent jumper	WFA4	
Alternate jumper	WFB4	
Staggered jumper	/	
End cover	D-WS4	
Partition plate	ATP-DS / ATP-PC N	
Cover profile	AP3-COVER / AP3-T / AP3-T-KS	
Top marker	ZB6 / ZS6 / WB5	
Side marker	DEK6	
Warning cover	EEA4	
Marker support	DTH3.5-25x3.5 / DTH3.5-25x12	
Terminal strip marker support	DLM2 / KLM3-20x8 / KLM3-44x8	
End clamp	E-PC 1100A / E-WS N	
End cap	NS35/7.5-CAP NS35/15-CAP	

Spring-cage connection technology

Feed-through, multi-conductor and ground terminal blocks

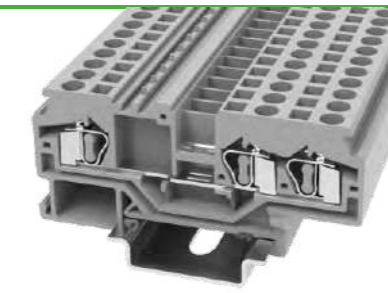

WS4-DB

CE ENEC RoHS REACH

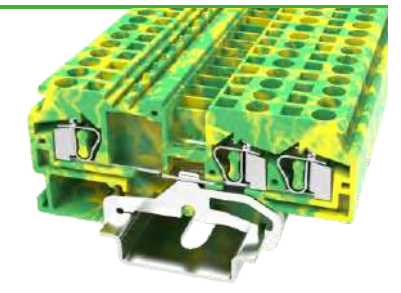
Order NO.	11030000281			
Width/Length/Height	mm	7/33.4/23		
Electrical Data		IEC IEC60947-7-1	UL UL1059	
Rated voltage	V	630	300	
Rated current	A	32	20	
Rated cross section	mm ² /AWG	0.2-4	28-12	
Connection capacity		Solid	Stranded	Ferrule (with and without plastic sleeve)
1 conductor	mm ²	0.2-4	0.2-4	0.2-4
2 flexible conductors with a TWIN ferrule	mm ²	—	—	0.5-1
General Information				
Insulation material/Flammability rating (according to UL 94)		PA/V0		
Operation temperatures	°C (°F)	-40(-40)~105(221)		
Stripping length	mm	10-11		
Color		Grey, Red, Blue (please contact sales for other color requirements)		
Accessories				
Ferrule		/		
Slotted screwdriver size (Blade thickness x Width)	mm	0.5x3.5		
Adjacent jumper		/		
End cover		D-WS4-DB		
Partition plate		ATP-DS / ATP-PC N		
Cover profile		AP3-COVER / AP3-T / AP3-T-KS		
Marker (Side)		DEK6		
Warning cover		/		
DIN rail mounting adapter		WHH-WS1.5-DB		
Terminal strip marker support		/		
End clamp		/		
End cap		NS35/7.5-CAP NS35/15-CAP		

Spring-cage connection technology

Feed-through, multi-conductor and ground terminal blocks


WS4-TW

UL US CE ENEC RoHS REACH ccc

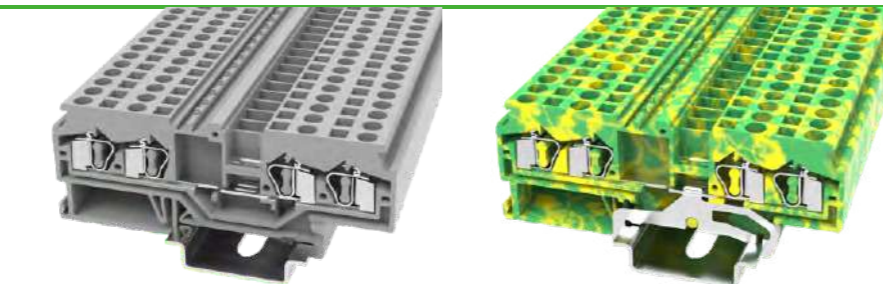

WS4-TW-PE

UL US CE ENEC RoHS REACH ccc

Order NO.	11030000302	11030000305
Width/Length/Height(NS35/7.5&NS35/15)	mm	6/73.5/36.45(43.95)
Electrical Data	IEC IEC60947-7-1	UL UL1059
Rated voltage	V	800
Rated current	A	32
Rated cross section	mm ² /AWG	0.2-4
Connection capacity	Solid	Stranded
1 conductor	mm ²	0.2-4
2 flexible conductors with a TWIN ferrule	mm ²	—
General Information		
Insulation material/Flammability rating (according to UL 94)		PA/V0
Operation temperatures	°C (°F)	-40(-40)~105(221)
Stripping length	mm	10-12
Color		Grey, Red, Blue (please contact sales for other color requirements)
Accessories		
Ferrule		/
Slotted screwdriver size (Blade thickness x Width)	mm	0.5x3.5
Adjacent jumper		WFA4
Alternate jumper		WFB4
Staggered jumper		/
End cover		D-WS4-TW
Partition plate		ATP-DS / ATP-PC N
Cover profile		AP3-COVER / AP3-T / AP3-T-KS
Top marker		ZB6 / ZS6 / WB5
Side marker		DEK6
Warning cover		EEA4
Marker support		DTH3.5-25x3.5 / DTH3.5-25x12
Terminal strip marker support		DLM2 / KLM3-20x8 / KLM3-44x8
End clamp		E-PC 1100A / E-WS N
End cap		NS35/7.5-CAP NS35/15-CAP

Spring-cage connection technology

Feed-through, multi-conductor and ground terminal blocks

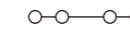
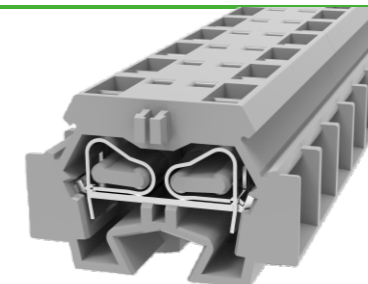

WS4-QU

WS4-QU-PE

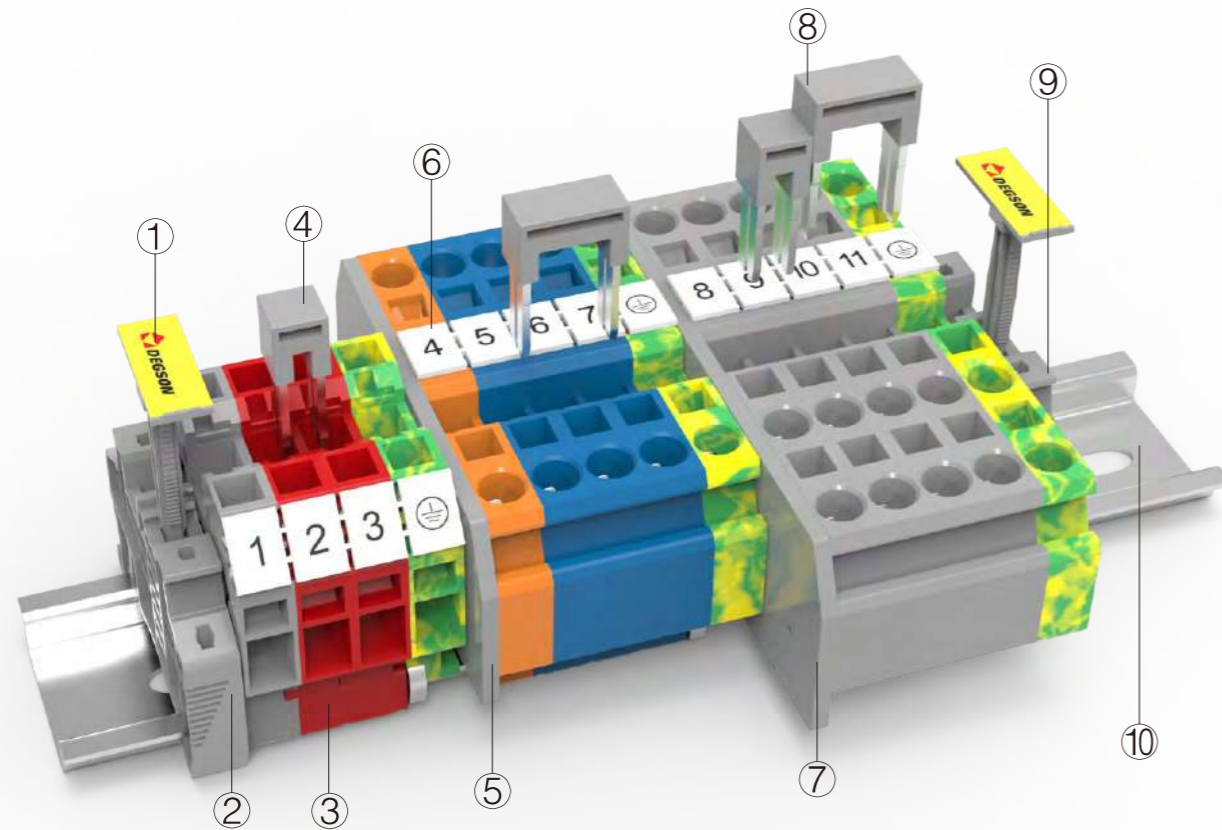
Order NO.	11030000292				11030000294			
Width/Length/Height(NS35/7.5&NS35/15)	mm 6/86.2/36.45(43.95)				mm 6/86.2/36.45(43.95)			
Electrical Data	IEC IEC60947-7-1		UL UL1059		IEC IEC60947-7-2		UL UL1059	
Rated voltage	V 800		V 600		/		/	
Rated current	A 32		A 20		/		/	
Rated cross section	mm ² /AWG 0.2-4		mm ² /AWG 28-12		mm ² /AWG 0.2-4		mm ² /AWG 28-12	
Connection capacity	Solid	Stranded	Ferrule (with and without plastic sleeve)		Solid	Stranded	Ferrule (with and without plastic sleeve)	
1 conductor	mm ² 0.2-4	mm ² 0.2-4	mm ² 0.2-2.5	mm ² 0.2-2.5	mm ² 0.2-4	mm ² 0.2-4	mm ² 0.2-2.5	mm ² 0.2-2.5
2 flexible conductors with a TWIN ferrule	mm ² —	mm ² —	mm ² —	mm ² 0.5-1	mm ² —	mm ² —	mm ² —	mm ² 0.5-1
General Information								
Insulation material/Flammability rating (according to UL 94)	PA/V0				PA/V0			
Operation temperatures	°C (°F) -40(-40)~105(221)				°C (°F) -40(-40)~105(221)			
Stripping length	mm 11-12				mm 11-12			
Color	Grey, Red, Blue (please contact sales for other color requirements)				Yellow green mixed color			
Accessories								
Ferrule	/				/			
Slotted screwdriver size (Blade thickness x Width)	mm 0.5x3.5				mm 0.5x3.5			
Adjacent jumper	WFA4				/			
Alternate jumper	WFB4				/			
Staggered jumper	/				/			
End cover	D-WS4-QU				D-WS4-QU			
Partition plate	ATP-DS / ATP-PC N				ATP-DS / ATP-PC N			
Cover profile	AP3-COVER / AP3-T / AP3-T-KS				AP3-COVER / AP3-T / AP3-T-KS			
Top marker	ZB6 / ZS6 / WB5				ZB6 / ZS6 / WB5			
Side marker	DEK6				DEK6			
Warning cover	EEA4				EEA4			
Marker support	DTH3.5-25x3.5 / DTH3.5-25x12				DTH3.5-25x3.5 / DTH3.5-25x12			
Terminal strip marker support	DLM2 / KLM3-20x8 / KLM3-44x8				DLM2 / KLM3-20x8 / KLM3-44x8			
End clamp	E-PC 1100A / E-WS N				E-PC 1100A / E-WS N			
End cap	NS35/7.5-CAP NS35/15-CAP				NS35/7.5-CAP NS35/15-CAP			

Spring-cage connection technology

Feed-through, multi-conductor and ground terminal blocks

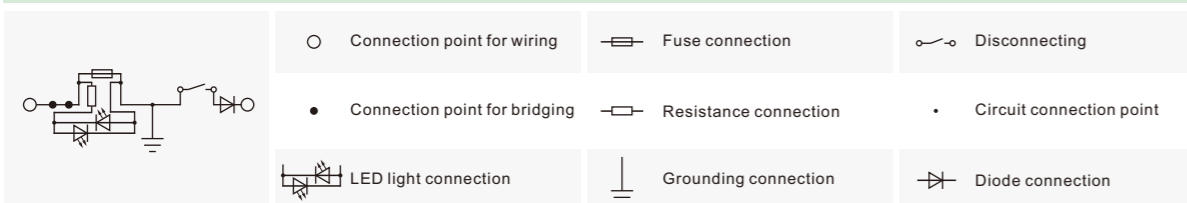

WS4T-DB

Order NO.	11030000299			
Width/Length/Height	mm 12/33.4/23			
Electrical Data	IEC IEC60947-7-1		UL UL1059	
Rated voltage	V 800		V 300	
Rated current	A 32		A 20	
Rated cross section	mm ² /AWG 0.2-4		mm ² /AWG 28-12	
Connection capacity	Solid	Stranded	Ferrule (with and without plastic sleeve)	
1 conductor	mm ² 0.2-4	mm ² 0.2-4	mm ² 0.2-4	mm ² 0.2-4
2 flexible conductors with a TWIN ferrule	mm ² —	mm ² —	mm ² —	mm ² 0.5-1
General Information				
Insulation material/Flammability rating (according to UL 94)	PA/V0			
Operation temperatures	°C (°F) -40(-40)~105(221)			
Stripping length	mm 10-11			
Color	Grey, Red, Blue (please contact sales for other color requirements)			
Accessories				
Ferrule	/			
Slotted screwdriver size (Blade thickness x Width)	mm 0.5x3.5			
Adjacent jumper	/			
End cover	D-WS4-DB			
Partition plate	ATP-DS / ATP-PC N			
Cover profile	AP3-COVER / AP3-T / AP3-T-KS			
Marker (Side)	DEK6			
Warning cover	/			
DIN rail mounting adapter	WHH-WS1.5-DB			
Terminal strip marker support	/			
End clamp	/			
End cap	/			



Description	Part No.	Remark
① Marker carrier	KLM3-20x8-11-00A(H)	Suitable for E-PC-1100A(H) & E-WS N
② End clamp	E-WS N-01P-11-00A(H)	Fixing products on NS35 DIN rail
③ Terminal blocks	WS6-SD-01P-11-00A(H)	Spring-cage type 6mm ² DIN Rail terminal blocks
④ Adjacent jumper	WFA6-01P-11-00A(H)	02P bridge, use for WS6 series
⑤ End cover	D-WS6-01P-11-00A(H)	End cover is used for WS6&WS6-PE
⑥ Marker	ZB8-10P-19-00A(H)	Marker is used for the top of WS6 series
⑦ End cover	D-WS6-TW-01P-11-00A(H)	End cover is used for WS6-TW&WS6-TW-PE
⑧ Alternate jumper	WFB6-01P-11-00A(H)	02P bridge, use for WS6 series
⑨ End clamp	E-WS N-01P-11-00A(H)	Fixing products on NS35 DIN rail
⑩ DIN rail	NS35/7.5-0150-00A(H)	NS35 DIN rail

Circuit diagram



Spring-cage connection technology

Feed-through, multi-conductor and ground terminal blocks



WS6

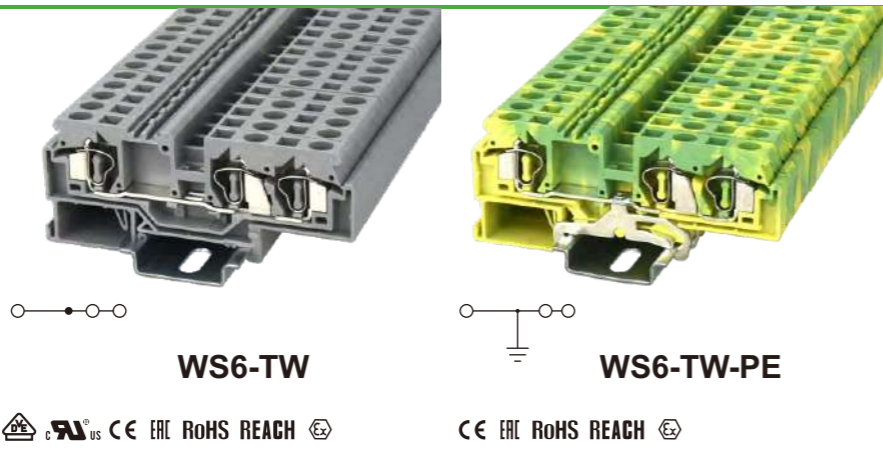
WS6-PE



Order NO.	11030000306	11030000314		
Width/Length/Height(NS35/7.5&NS35/15) mm	8/74.5/40(47.5)	8/74.5/40(47.5)		
Electrical Data	IEC IEC60947-7-1	UL UL1059	IEC IEC60947-7-2	UL UL1059
Rated voltage V	800	600	/	/
Rated current A	41	30	/	/
Rated cross section mm ² /AWG	0.2-6	24-10	0.2-6	24-10
Connection capacity	Solid Stranded Ferrule (with and without plastic sleeve)	Solid Stranded Ferrule (with and without plastic sleeve)	Solid Stranded Ferrule (with and without plastic sleeve)	Solid Stranded Ferrule (with and without plastic sleeve)
1 conductor mm ²	0.2-6	0.2-6	0.2-6	0.2-6
2 flexible conductors with a TWIN ferrule mm ²	-	-	-	0.5-2.5
General Information				
Insulation material/Flammability rating (according to UL 94)	PA/V0		PA/V0	
Operation temperatures °C (°F)	-40(-40)~105(221)		-40(-40)~105(221)	
Stripping length mm	12-13		12-13	
Color	Grey, Red, Blue (please contact sales for other color requirements)		Yellow green mixed color	
Accessories				
Ferrule	/		/	
Slotted screwdriver size (Blade thickness x Width) mm	0.8x5.5		0.8x5.5	
Adjacent jumper	WFA6		/	
Alternate jumper	WFB6		/	
Staggered jumper	/		/	
End cover	D-WS6		D-WS6	
Partition plate	ATP-DS / ATP-PC N		ATP-DS / ATP-PC N	
Cover profile	AP3-COVER / AP3-T / AP3-T-KS		AP3-COVER / AP3-T / AP3-T-KS	
Top marker	ZB8 / ZS8 / WB5		ZB8 / ZS8 / WB5	
Side marker	/		/	
Warning cover	EEA6		EEA6	
Marker support	DTH3.5-25x3.5 / DTH3.5-25x12		DTH3.5-25x3.5 / DTH3.5-25x12	
Terminal strip marker support	DLM2 / KLM3-20x8 / KLM3-44x8		DLM2 / KLM3-20x8 / KLM3-44x8	
End clamp	E-PC 1100A / E-WS N		E-PC 1100A / E-WS N	
End cap	NS35/7.5-CAP NS35/15-CAP		NS35/7.5-CAP NS35/15-CAP	

Spring-cage connection technology

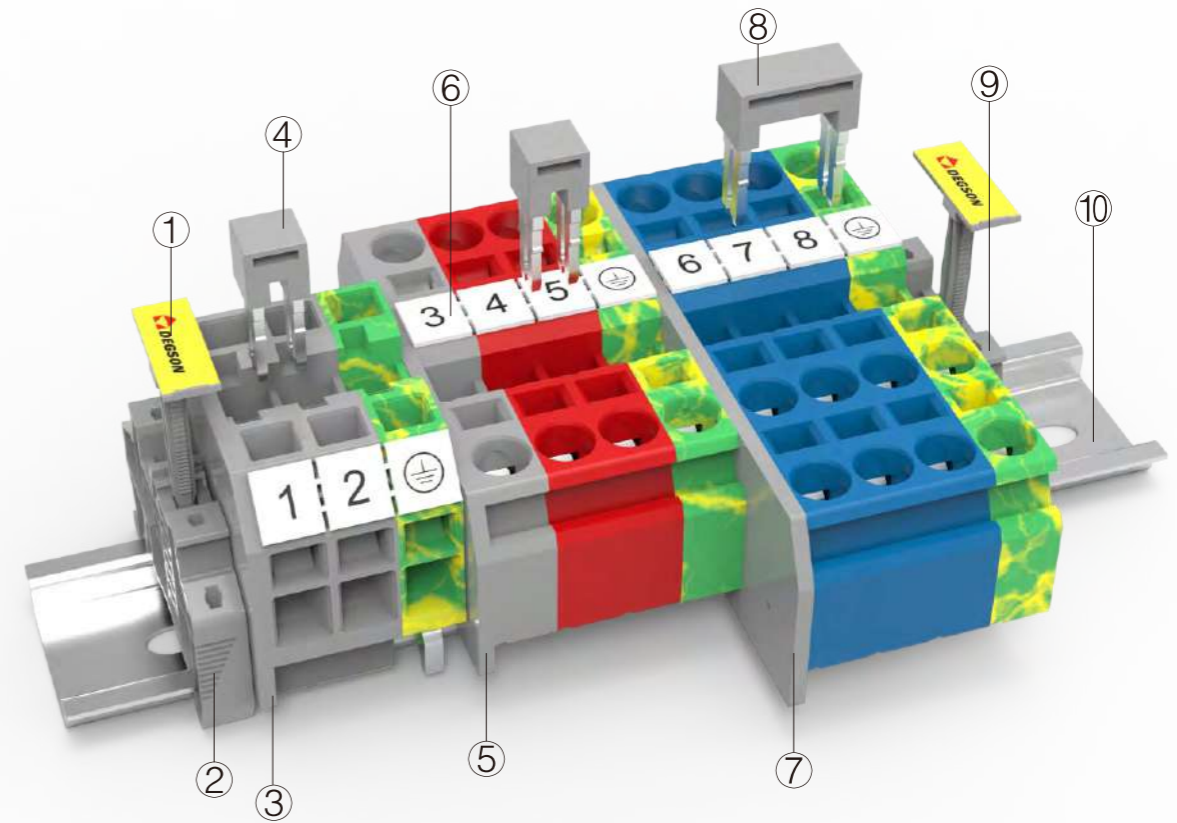
Feed-through, multi-conductor and ground terminal blocks


WS6-TW
WS6-TW-PE

Order NO.	11030000320				11030000322			
Width/Length/Height(NS35/7.5&NS35/15)	mm 8/93/40(47.5)				mm 8/93/40(47.5)			
Electrical Data	IEC IEC60947-7-1		UL UL1059		IEC IEC60947-7-2		UL UL1059	
Rated voltage	V 800		V 600		/		/	
Rated current	A 41		A 30		/		/	
Rated cross section	mm ² /AWG 0.2-6		mm ² /AWG 24-10		mm ² /AWG 0.2-6		mm ² /AWG 24-10	
Connection capacity	Solid	Stranded	Ferrule (with and without plastic sleeve)		Solid	Stranded	Ferrule (with and without plastic sleeve)	
1 conductor	mm ² 0.2-6	mm ² 0.2-6	mm ² 0.2-6	mm ² 0.2-6	mm ² 0.2-6	mm ² 0.2-6	mm ² 0.2-6	mm ² 0.2-6
2 flexible conductors with a TWIN ferrule	mm ² -	mm ² -	mm ² -	mm ² 0.5-2.5	mm ² -	mm ² -	mm ² -	mm ² 0.5-2.5

General Information			
Insulation material/Flammability rating (according to UL 94)	PA/V0		PA/V0
Operation temperatures	°C (°F) -40(-40)~105(221)		-40(-40)~105(221)
Stripping length	mm 13-14		mm 13-14
Color	Grey, Red, Blue (please contact sales for other color requirements)		Yellow green mixed color

Accessories			
Ferrule	/		/
Slotted screwdriver size (Blade thickness x Width)	mm 0.8x5.5	mm 0.8x5.5	
Adjacent jumper	WFA6		/
Alternate jumper	WFB6		/
Staggered jumper	/		/
End cover	D-WS6-TW		D-WS6-TW
Partition plate	ATP-DS / ATP-PC N		ATP-DS / ATP-PC N
Cover profile	AP3-COVER / AP3-T / AP3-T-KS		AP3-COVER / AP3-T / AP3-T-KS
Top marker	ZB8 / ZS8 / WB5		ZB8 / ZS8 / WB5
Side marker	/		/
Warning cover	EEA6		EEA6
Marker support	DTH3.5-25x3.5 / DTH3.5-25x12		DTH3.5-25x3.5 / DTH3.5-25x12
Terminal strip marker support	DLM2 / KLM3-20x8 / KLM3-44x8		DLM2 / KLM3-20x8 / KLM3-44x8
End clamp	E-PC 1100A / E-WS N		E-PC 1100A / E-WS N
End cap	NS35/7.5-CAP / NS35/15-CAP		NS35/7.5-CAP / NS35/15-CAP

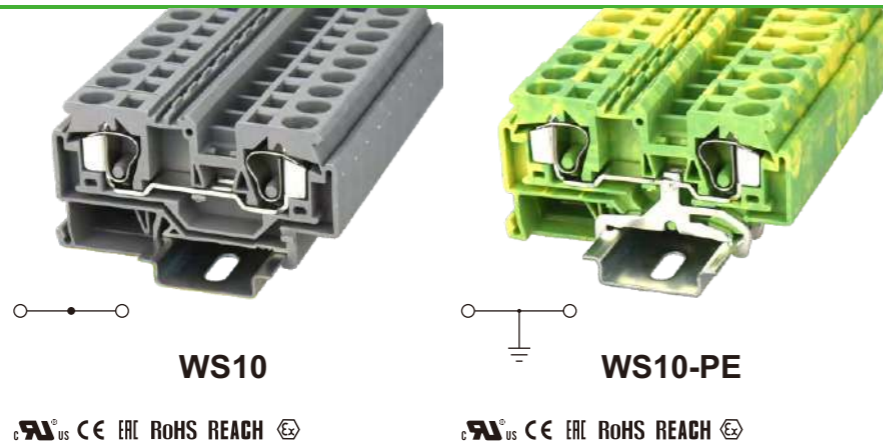


Description	Part No.	Remark
① Marker carrier	KLM3-20x8-11-00A(H)	Suitable for E-PC-1100A(H) & E-WS N
② End clamp	E-WS N-01P-11-00A(H)	Fixing products on NS35 DIN rail
③ End cover	D-WS10-SD-01P-11-00A(H)	End cover is used for WS10-SD&WS10-SD-PE
④ Adjacent jumper	WFA10-01P-11-00A(H)	02P bridge, use for WS10 series
⑤ End cover	D-WS10-01P-11-00A(H)	End cover is used for WS10&WS10-PE
⑥ Marker	ZB10-10P-19-00A(H)	Marker is used for the top of WS10 series
⑦ End cover	D-WS10-TW-01P-11-00A(H)	End cover is used for WS10-TW&WS10-TW-PE
⑧ Alternate jumper	WFB10-01P-11-00A(H)	02P bridge, use for WS10 series
⑨ End clamp	E-WS N-01P-11-00A(H)	Fixing products on NS35 DIN rail
⑩ DIN rail	NS35/7.5-0150-00A(H)	NS35 DIN rail

Circuit diagram			
	○ Connection point for wiring		Fuse connection
	● Connection point for bridging		Resistance connection
			Grounding connection
			Diode connection
			Circuit connection point

Spring-cage connection technology

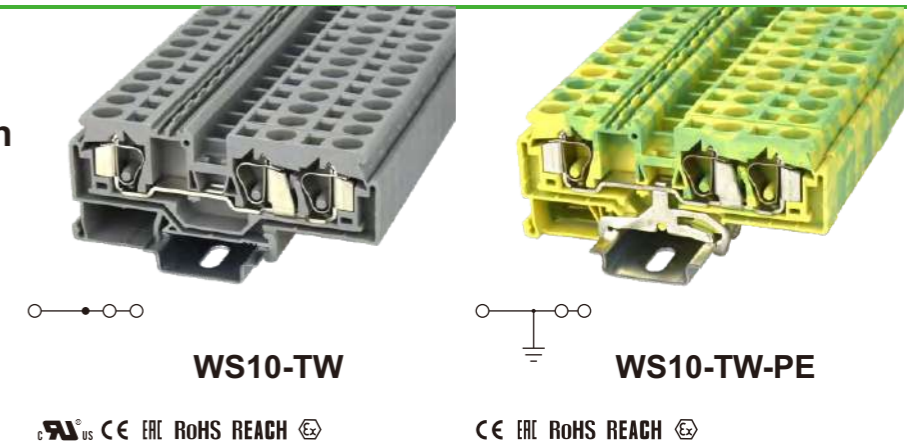
Feed-through, multi-conductor and ground terminal blocks


WS10
WS10-PE

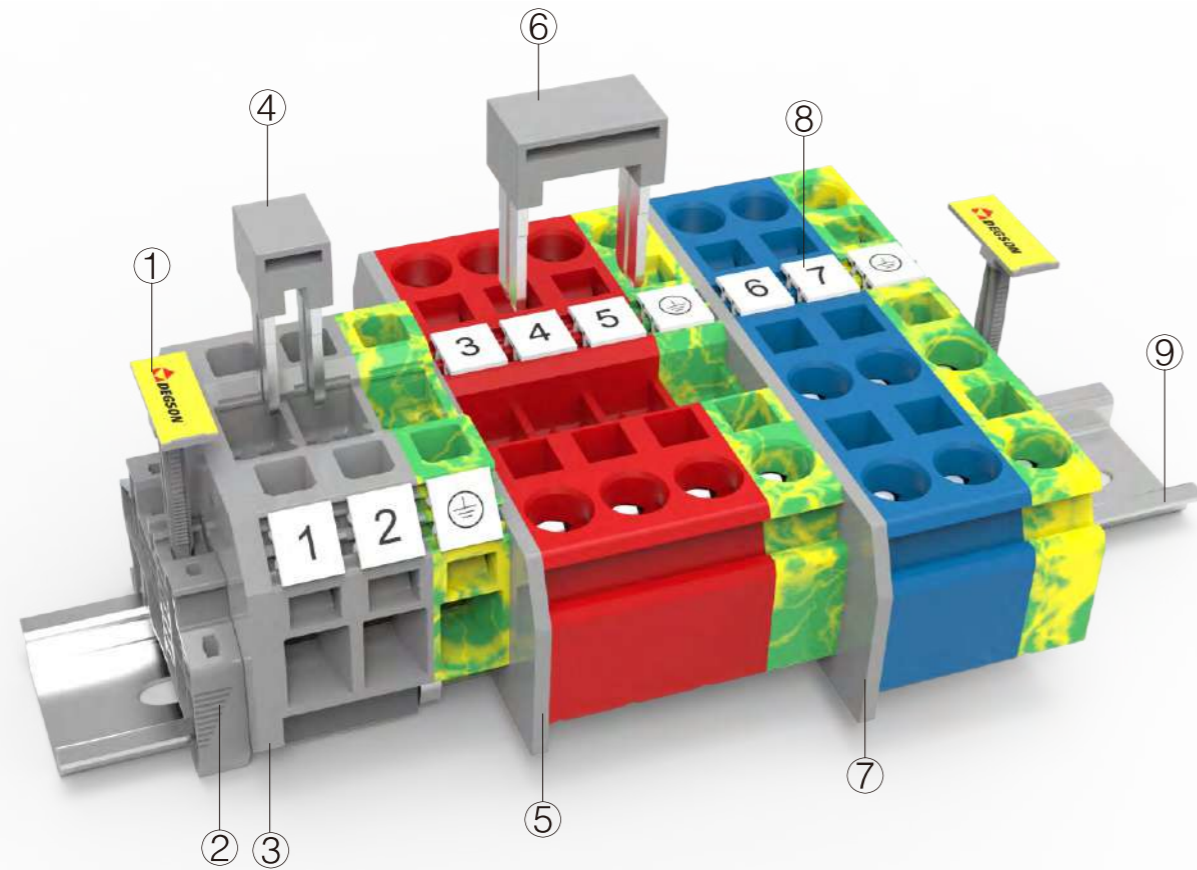
Order NO.	11030000001				11030000020				
Width/Length/Height(NS35/7.5&NS35/15) mm	10/77.5/42.5(50)				10/77.5/42.5(50)				
Electrical Data	IEC IEC60947-7-1		UL UL1059		IEC IEC60947-7-2		UL UL1059		
Rated voltage	V		800		600		/		
Rated current	A		57		50		/		
Rated cross section	mm ² /AWG		0.2-10		24-8		0.2-10		
Connection capacity	mm ²	Solid	Stranded	Ferrule (with and without plastic sleeve)		Solid	Stranded	Ferrule (with and without plastic sleeve)	
		1 conductor	0.2-10	0.2-10	0.2-10	0.2-10	0.2-10	0.2-10	0.2-10
		2 flexible conductors with a TWIN ferrule	—	—	—	0.5-4	—	—	—
General Information									
Insulation material/Flammability rating (according to UL 94)	PA/V0				PA/V0				
Operation temperatures	°C (°F)		-40(-40)~105(221)		-40(-40)~105(221)		-40(-40)~105(221)		
Stripping length	mm		13-14		13-14		13-14		
Color	Grey, Red, Blue (please contact sales for other color requirements)				Yellow green mixed color				
Accessories									
Ferrule	/				/				
Slotted screwdriver size (Blade thickness x Width)	mm		0.8x5.5		0.8x5.5		0.8x5.5		
Adjacent jumper	WFA10				/				
Alternate jumper	WFB10				/				
Staggered jumper	/				/				
End cover	D-WS10				D-WS10				
Partition plate	ATP-DS / ATP-PC N				ATP-DS / ATP-PC N				
Cover profile	AP3-COVER / AP3-T / AP3-T-KS				AP3-COVER / AP3-T / AP3-T-KS				
Top marker	ZB10 / ZS10 / WB5				ZB10 / ZS10 / WB5				
Side marker	/				/				
Warning cover	EEA10				EEA10				
Marker support	DTH3.5-25x3.5 / DTH3.5-25x12				DTH3.5-25x3.5 / DTH3.5-25x12				
Terminal strip marker support	DLM2 / KLM3-20x8 / KLM3-44x8				DLM2 / KLM3-20x8 / KLM3-44x8				
End clamp	E-PC 1100A / E-WS N				E-PC 1100A / E-WS N				
End cap	NS35/7.5-CAP NS35/15-CAP				NS35/7.5-CAP NS35/15-CAP				

Spring-cage connection technology

Feed-through, multi-conductor and ground terminal blocks

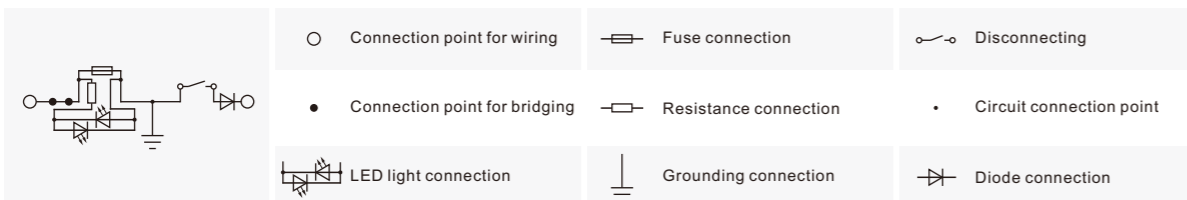

WS10-TW
WS10-TW-PE

Order NO.	11030000023				11030000026				
Width/Length/Height(NS35/7.5&NS35/15) mm	10/97.5/42.5(50)				10/97.5/42.5(50)				
Electrical Data	IEC IEC60947-7-1		UL UL1059		IEC IEC60947-7-2		UL UL1059		
Rated voltage	V		800		600		/		
Rated current	A		57		50		/		
Rated cross section	mm ² /AWG		0.2-10		24-8		0.2-10		
Connection capacity	mm ²	Solid	Stranded	Ferrule (with and without plastic sleeve)		Solid	Stranded	Ferrule (with and without plastic sleeve)	
		1 conductor	0.2-10	0.2-10	0.2-10	0.2-10	0.2-10	0.2-10	0.2-10
		2 flexible conductors with a TWIN ferrule	—	—	—	0.5-4	—	—	—
General Information									
Insulation material/Flammability rating (according to UL 94)	PA/V0				PA/V0				
Operation temperatures	°C (°F)		-40(-40)~105(221)		-40(-40)~105(221)		-40(-40)~105(221)		
Stripping length	mm		13-14		13-14		13-14		
Color	Grey, Red, Blue (please contact sales for other color requirements)				Yellow green mixed color				
Accessories									
Ferrule	/				/				
Slotted screwdriver size (Blade thickness x Width)	mm		0.8x5.5		0.8x5.5		0.8x5.5		
Adjacent jumper	WFA10				/				
Alternate jumper	WFB10				/				
Staggered jumper	/				/				
End cover	D-WS10-TW				D-WS10-TW				
Partition plate	ATP-DS / ATP-PC N				ATP-DS / ATP-PC N				
Cover profile	AP3-COVER / AP3-T / AP3-T-KS				AP3-COVER / AP3-T / AP3-T-KS				
Top marker	ZB10 / ZS10 / WB5				ZB10 / ZS10 / WB5				
Side marker	/				/				
Warning cover	EEA10				EEA10				
Marker support	DTH3.5-25x3.5 / DTH3.5-25x12				DTH3.5-25x3.5 / DTH3.5-25x12				
Terminal strip marker support	DLM2 / KLM3-20x8 / KLM3-44x8				DLM2 / KLM3-20x8 / KLM3-44x8				
End clamp	E-PC 1100A / E-WS N				E-PC 1100A / E-WS N				
End cap	NS35/7.5-CAP NS35/15-CAP				NS35/7.5-CAP NS35/15-CAP				



Description	Part No.	Remark
① Marker carrier	KLM3-20x8-11-00A(H)	Suitable for E-PC-1100A(H) & E-WS N
② End clamp	E-WS N-01P-11-00A(H)	Fixing products on NS35 DIN rail
③ End cover	D-WS16-SD-01P-11-00A(H)	End cover is used for WS16-SD&WS16-SD-PE
④ Adjacent jumper	WFA16-01P-11-00A(H)	02P bridge, use for WS16 series
⑤ End cover	D-WS16-01P-11-00A(H)	End cover is used for WS16&WS16-PE
⑥ Alternate jumper	WFB16-01P-11-00A(H)	02P bridge, use for WS16 series
⑦ End cover	D-WS16-TW-01P-11-00A(H)	End cover is used for WS16-TW&WS16-TW-PE
⑧ Marker	ZT12-10P-19-00A(H)	Marker is used for the top of Ws16 series
⑨ DIN rail	NS35/7.5-0150-00A(H)	NS35 DIN rail

Circuit diagram



Spring-cage connection technology

Feed-through, multi-conductor and ground terminal blocks



WS16

UL CE ENEC RoHS REACH



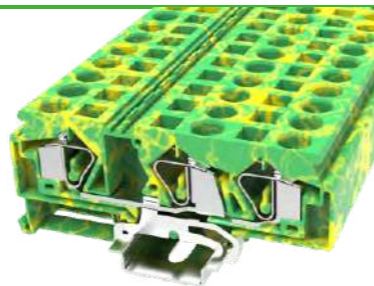
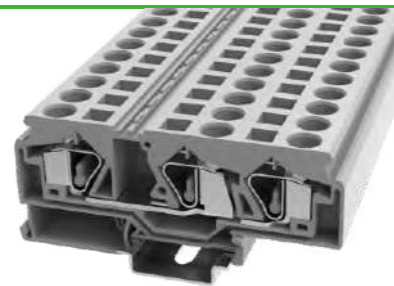
WS16-PE

CE ENEC RoHS REACH

Order NO.	11030000081	11030000085
Width/Length/Height(NS35/7.5&NS35/15) mm	12/94.5/45(52.5)	12/94.5/45(52.5)
Electrical Data	IEC IEC60947-7-1	UL UL1059
Rated voltage V	800	600
Rated current A	76	66
Rated cross section mm ² /AWG	0.2-16	24-6
Connection capacity	Solid Stranded Ferrule (with and without plastic sleeve)	Solid Stranded Ferrule (with and without plastic sleeve)
1 conductor mm ²	0.2-16 0.2-16 0.2-16 0.2-10	0.2-16 0.2-16 0.2-16 0.2-10
2 flexible conductors with a TWIN ferrule mm ²	- - - 0.5-6	- - - 0.5-6
General Information		
Insulation material/Flammability rating (according to UL 94)	PA/V0	PA/V0
Operation temperatures °C (°F)	-40(-40)~105(221)	-40(-40)~105(221)
Stripping length mm	18	18
Color	Grey, Red, Blue (please contact sales for other color requirements)	Yellow green mixed color
Accessories		
Ferrule	/	/
Slotted screwdriver size (Blade thickness x Width) mm	0.8x5.5	0.8x5.5
Adjacent jumper	WFA16	/
Alternate jumper	WFB16	/
Staggered jumper	/	/
End cover	D-WS16	D-WS16
Partition plate	ATP-DS / ATP-PC N	ATP-DS / ATP-PC N
Cover profile	AP3-COVER / AP3-T / AP3-T-KS	AP3-COVER / AP3-T / AP3-T-KS
Top marker	ZT12 / ZS12 / WB5	ZT12 / ZS12 / WB5
Side marker	/	/
Warning cover	EEA16	EEA16
Marker support	DTH3.5-25x3.5 / DTH3.5-25x12	DTH3.5-25x3.5 / DTH3.5-25x12
Terminal strip marker support	DLM2 / KLM3-20x8 / KLM3-44x8	DLM2 / KLM3-20x8 / KLM3-44x8
End clamp	E-PC 1100A / E-WS N	E-PC 1100A / E-WS N
End cap	NS35/7.5-CAP NS35/15-CAP	NS35/7.5-CAP NS35/15-CAP

Spring-cage connection technology

Feed-through, multi-conductor and ground terminal blocks

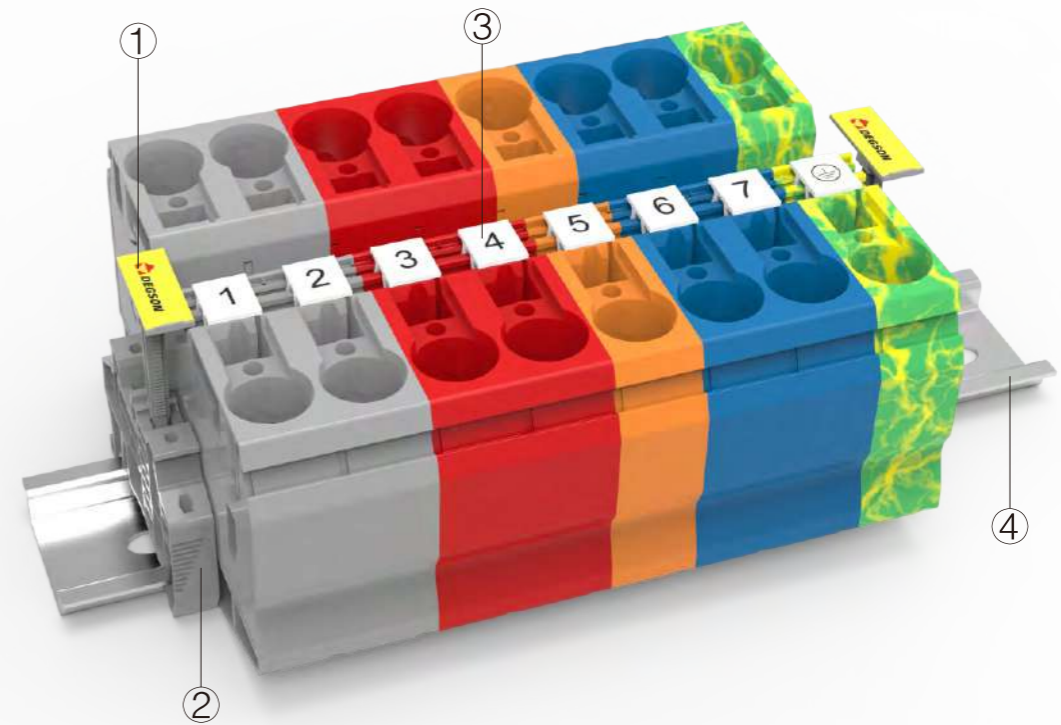

WS16-TW

WS16-TW-PE

CE ENE RoHS REACH

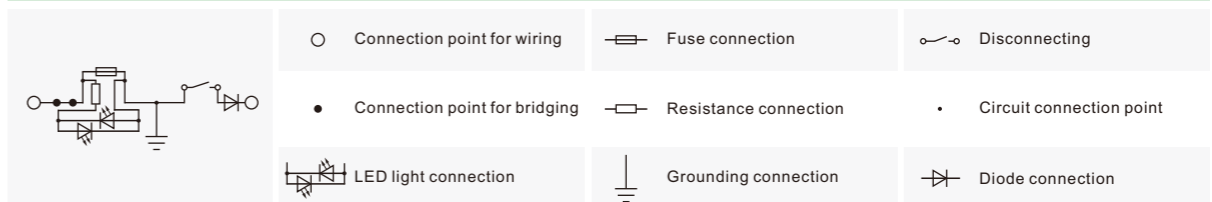
CE ENE RoHS REACH

Order NO.	11030000089				11030000091			
Width/Length/Height(NS35/7.5&NS35/15)	mm 12/104.5/45(52.5)				mm 12/104.5/45(52.5)			
Electrical Data	IEC IEC60947-7-1		UL UL1059		IEC IEC60947-7-2		UL UL1059	
Rated voltage	V	800	600		/	/		
Rated current	A	76	66		/	/		
Rated cross section	mm ² /AWG	0.2-16	24-6		0.2-16	24-6		
Connection capacity		Solid	Stranded	Ferrule (with and without plastic sleeve)	Solid	Stranded	Ferrule (with and without plastic sleeve)	
1 conductor	mm ²	0.2-16	0.2-16	0.2-16 0.2-10	0.2-16	0.2-16	0.2-16 0.2-10	
2 flexible conductors with a TWIN ferrule	mm ²	—	—	— 0.5-6	—	—	— 0.5-6	
General Information								
Insulation material/Flammability rating (according to UL 94)	PA/V0				PA/V0			
Operation temperatures	°C (°F)	-40(-40)~105(221)			-40(-40)~105(221)			
Stripping length	mm	16-17			16-17			
Color		Grey, Red, Blue (please contact sales for other color requirements)			Yellow green mixed color			
Accessories								
Ferrule		/			/			
Slotted screwdriver size (Blade thickness x Width)	mm	0.8x5.5			0.8x5.5			
Adjacent jumper		/			/			
Alternate jumper		/			/			
Staggered jumper		/			/			
End cover		D-WS16-TW			D-WS16-TW			
Partition plate		ATP-DS / ATP-PC N			ATP-DS / ATP-PC N			
Cover profile		AP3-COVER / AP3-T / AP3-T-KS			AP3-COVER / AP3-T / AP3-T-KS			
Top marker		ZT12 / ZS12 / WB5			ZT12 / ZS12 / WB5			
Side marker		/			/			
Warning cover		EEA16			EEA16			
Marker support		DTH3.5-25x3.5 / DTH3.5-25x12			DTH3.5-25x3.5 / DTH3.5-25x12			
Terminal strip marker support		DLM2 / KLM3-20x8 / KLM3-44x8			DLM2 / KLM3-20x8 / KLM3-44x8			
End clamp		E-PC 1100A / E-WS N			E-PC 1100A / E-WS N			
End cap		NS35/7.5-CAP NS35/15-CAP			NS35/7.5-CAP NS35/15-CAP			



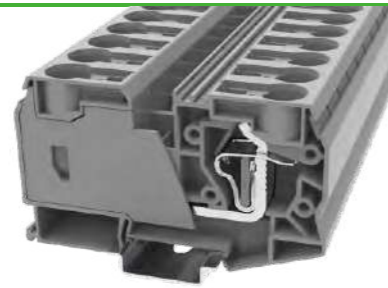
Description	Part No.	Remark
① Marker carrier	KLM3-20x8-11-00A(H)	Suitable for E-PC-1100A(H) & E-WS N
② End clamp	E-WS N-01P-11-00A(H)	Fixing products on NS35 DIN rail
③ Marker	ZT12-10P-19-00A(H)	Marker is used for the top of WS35 series
④ DIN rail	NS35/7.5-0150-00A(H)	NS35 DIN rail

Circuit diagram

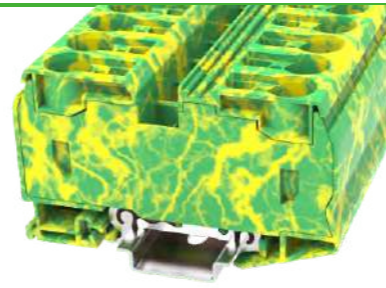


Spring-cage connection technology

Feed-through and ground terminal blocks


WS35

CE ENEC RoHS REACH

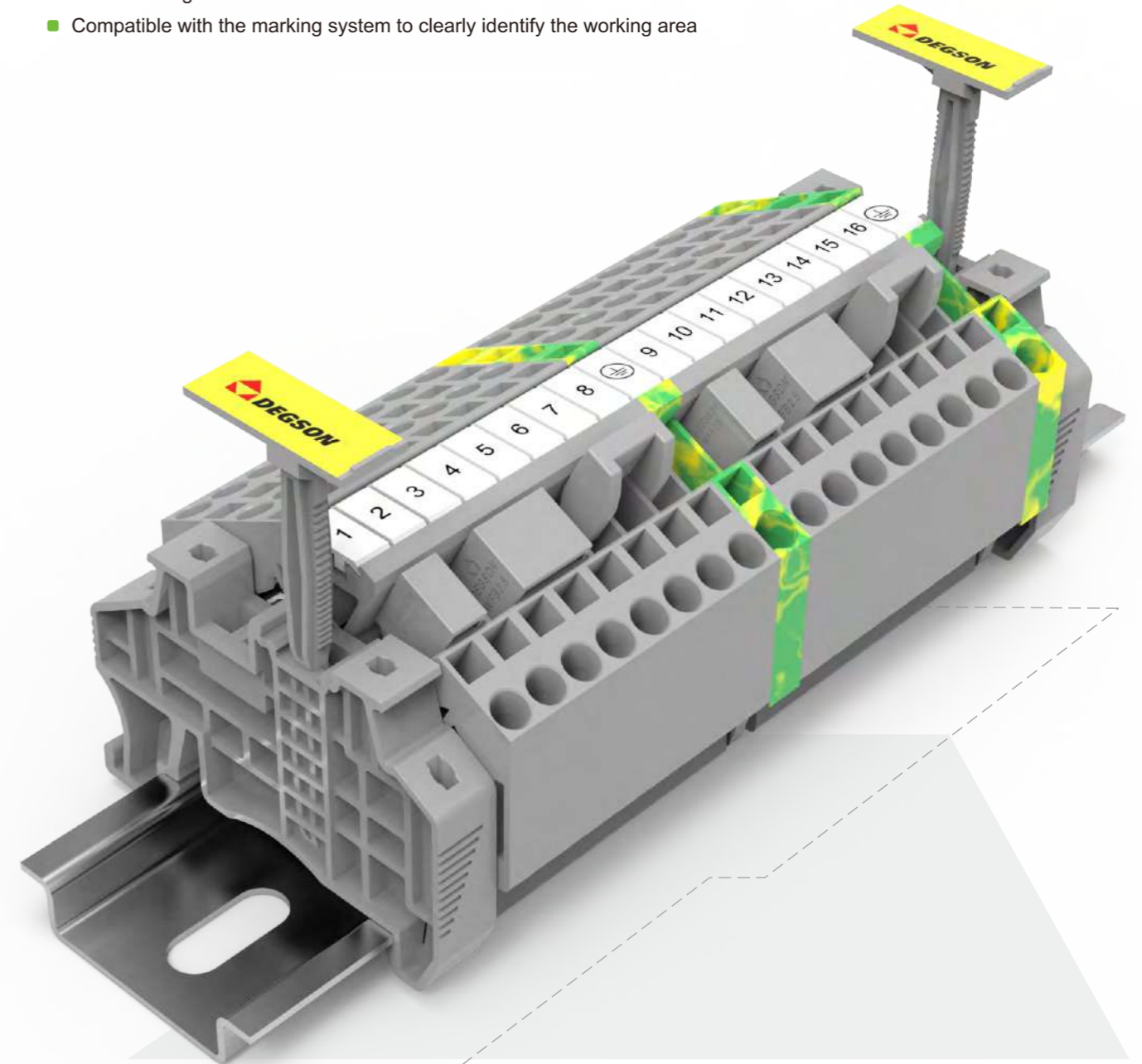

WS35-PE

CE ENEC RoHS REACH

Order NO.	11030000266				11030000269			
Width/Length/Height(NS35/7.5&NS35/15)	mm 16/99.9/59.2(66.7)				mm 16/99.9/59.2(66.7)			
Electrical Data	IEC IEC60947-7-1		UL UL1059		IEC IEC60947-7-2		UL UL1059	
Rated voltage	V 1000		600		/		/	
Rated current	A 125		115		/		/	
Rated cross section	mm ² /AWG 0.5-35		14-2		0.5-35		14-2	
Connection capacity	Solid	Stranded	Ferrule (with and without plastic sleeve)		Solid	Stranded	Ferrule (with and without plastic sleeve)	
1 conductor	mm ² 2.5-35	2.5-35	2.5-35	2.5-35	2.5-35	2.5-35	2.5-35	2.5-35
2 flexible conductors with a TWIN ferrule	mm ² -	-	-	0.5-6	-	-	-	0.5-6
General Information								
Insulation material/Flammability rating (according to UL 94)	PA/V0				PA/V0			
Operation temperatures	°C (°F) -40(-40)~105(221)				-40(-40)~105(221)			
Stripping length	mm 25				25			
Color	Grey, Red, Blue (please contact sales for other color requirements)				Yellow green mixed color			
Accessories								
Ferrule	/				/			
Slotted screwdriver size (Blade thickness x Width)	mm 1x5.5				1x5.5			
Adjacent jumper	/				/			
Alternate jumper	/				/			
Staggered jumper	/				/			
End cover	/				/			
Partition plate	ATP-DS / ATP-PC N				ATP-DS / ATP-PC N			
Cover profile	AP3-COVER / AP3-T / AP3-T-KS				AP3-COVER / AP3-T / AP3-T-KS			
Top marker	ZT12 / ZS12				ZT12 / ZS12			
Side marker	/				/			
Warning cover	/				/			
Marker support	DTH3.5-25x3.5 / DTH3.5-25x12				DTH3.5-25x3.5 / DTH3.5-25x12			
Terminal strip marker support	DLM2 / KLM3-20x8 / KLM3-44x8				DLM2 / KLM3-20x8 / KLM3-44x8			
End clamp	E-PC 1100A / E-WS N				E-PC 1100A / E-WS N			
End cap	NS35/7.5-CAP NS35/15-CAP				NS35/7.5-CAP NS35/15-CAP			

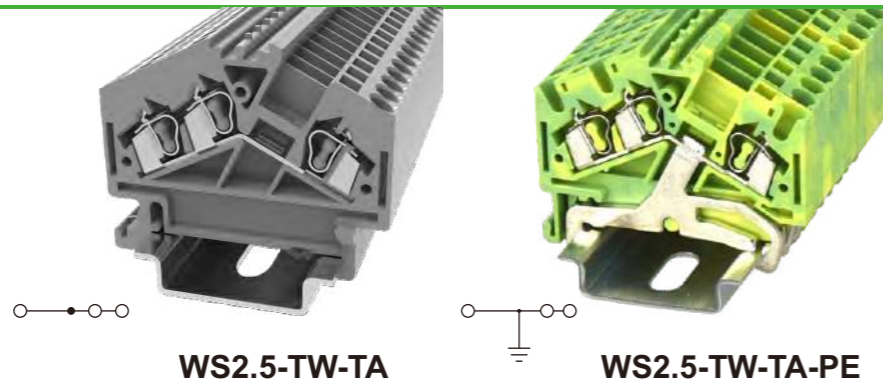
WS Inclined Feed-through Terminal Blocks

- WS Inclined feed-through terminal blocks, with spring-cage connection technology ensure the good performance on anti-vibration
- Inclined design reduce the bend radius for easier wire connection
- Compatible with the marking system to clearly identify the working area


WS Series

Spring-cage connection technology

Inclined Feed-through Terminal Blocks



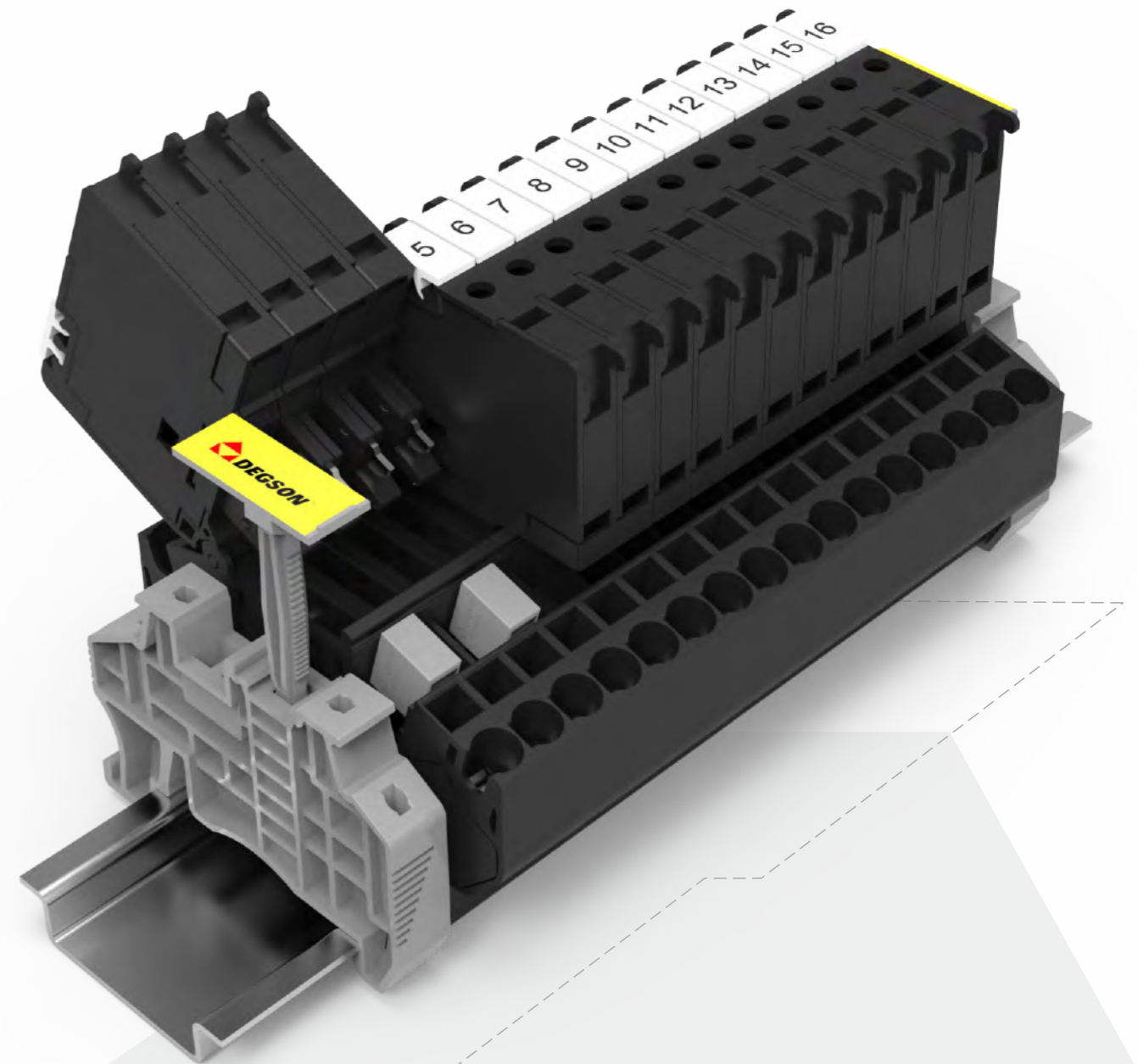
CE ENEC RoHS REACH

CE ENEC RoHS REACH

Order NO.	11030000261				11030000265			
Width/Length/Height(NS35/7.5&NS35/15)	mm 5/50.5/43.65(51.15)				mm 5/50.5/43.65(51.15)			
Electrical Data	IEC IEC60947-7-1		UL UL1059		IEC IEC60947-7-2		UL UL1059	
Rated voltage	V 800		600		/		/	
Rated current	A 24		15		/		/	
Rated cross section	mm ² /AWG 0.2-2.5		28-14		0.2-2.5		28-14	
Connection capacity	Solid	Stranded	Ferrule (with and without plastic sleeve)		Solid	Stranded	Ferrule (with and without plastic sleeve)	
1 conductor	mm ² 0.2-2.5	0.2-2.5	0.2-2.5	0.2-2.5	0.2-2.5	0.2-2.5	0.2-2.5	0.2-2.5
2 flexible conductors with a TWIN ferrule	mm ² -	-	-	0.5	-	-	-	0.5
General Information								
Insulation material/Flammability rating (according to UL 94)	PA/V0				PA/V0			
Operation temperatures	°C (°F) -40(-40)~105(221)				-40(-40)~105(221)			
Stripping length	mm 9				9			
Color	Grey, Red, Blue (please contact sales for other color requirements)				Yellow green mixed color			
Accessories								
Ferrule	/				/			
Slotted screwdriver size (Blade thickness x Width)	mm 0.5x3.5				0.5x3.5			
Adjacent jumper	WFA2.5				/			
Alternate jumper	WFB2.5				/			
Staggered jumper	WFC2.5-2 WFC2.5-6		WFC2.5-3 WFC2.5-7		WFC2.5-4 WFC2.5-8		WFC2.5-5	
End cover	D-WS2.5-TW-TA				D-WS2.5-TW-TA			
Partition plate	ATP-DS / ATP-PC N				ATP-DS / ATP-PC N			
Cover profile	AP3-COVER / AP3-T / AP3-T-KS				AP3-COVER / AP3-T / AP3-T-KS			
Top marker	ZB5 / WB5				ZB5 / WB5			
Side marker	/				/			
Warning cover	EEA2.5				EEA2.5			
Marker support	DTH3.5-25x3.5 / DTH3.5-25x12				DTH3.5-25x3.5 / DTH3.5-25x12			
Terminal strip marker support	DLM2 / KLM3-20x8 / KLM3-44x8				DLM2 / KLM3-20x8 / KLM3-44x8			
End clamp	E-PC 1100A / E-WS N				E-PC 1100A / E-WS N			
End cap	NS35/7.5-CAP NS35/15-CAP				NS35/7.5-CAP NS35/15-CAP			

WS Fuse Terminal Blocks

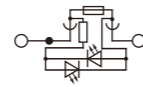
- WS Fuse type terminal blocks, with spring-cage connection technology ensure the good performance on anti-vibration
- Snap-on fuse box for easy fuse replacement
- Equipped with LED indicator for quick identification of fusing status
- Compatible with the marking system to clearly identify the working area



WS Series

Spring-cage connection technology

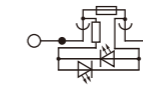
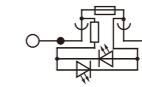
Fuse terminal blocks(5X20)


WSF4-TA

WSF4-TA-10A(H)


Order NO.	11030000324				11030000691			
Width/Length/Height(NS35/7.5&NS35/15)	mm 6/60/68(75.5)				mm 6/60/68(75.5)			
Electrical Data	IEC IEC60947-7-3		UL UL1059		IEC IEC60947-7-3			
Rated voltage	V 400		300		V 250			
Rated current	A 6.3		6.3		A 10			
Rated cross section	mm ² /AWG 0.2-4		28-10		mm ² /AWG 0.2-4		28-10	
Connection capacity	Solid	Stranded	Ferrule (with and without plastic sleeve)		Solid	Stranded	Ferrule (with and without plastic sleeve)	
1 conductor	mm ² 0.2-4	0.2-4	0.2-4	0.2-4	mm ² 0.2-4	0.2-4	0.2-4	0.2-4
2 flexible conductors with a TWIN ferrule	mm ² -	-	-	0.5-1	mm ² -	-	-	0.5-1
General Information								
Insulation material/Flammability rating (according to UL 94)	PA/V0				PA/V0			
Operation temperatures	°C (°F) -40(-40)~105(221)				°C (°F) -40(-40)~105(221)			
Stripping length	mm 10-12				mm 10-12			
Color	Black (please contact sales for other color requirements)				Black (please contact sales for other color requirements)			
Accessories								
Ferrule	/				/			
Slotted screwdriver size (Blade thickness x Width)	mm 0.5x3.5				mm 0.5x3.5			
Adjacent jumper	WFA4				WFA4			
Alternate jumper	WFB4				WFB4			
Staggered jumper	/				/			
End cover	/				/			
Partition plate	ATP-DS / ATP-PC N				ATP-DS / ATP-PC N			
Cover profile	AP3-COVER / AP3-T / AP3-T-KS				AP3-COVER / AP3-T / AP3-T-KS			
Top marker	ZB6 / ZS6				ZB6 / ZS6			
Side marker	/				/			
Warning cover	EEA4				EEA4			
Marker support	DTH3.5-25x3.5 / DTH3.5-25x12				DTH3.5-25x3.5 / DTH3.5-25x12			
Terminal strip marker support	DLM2 / KLM3-20x8 / KLM3-44x8				DLM2 / KLM3-20x8 / KLM3-44x8			
End clamp	E-PC 1100A / E-WS N				E-PC 1100A / E-WS N			
End cap	NS35/7.5-CAP NS35/15-CAP				NS35/7.5-CAP NS35/15-CAP			

Spring-cage connection technology

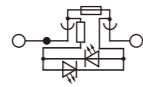
Fuse terminal blocks(5X20)


WSF4-TA-LD24

WSF4-TA-LD60


Order NO.	11030000798				/			
Width/Length/Height(NS35/7.5&NS35/15)	mm 6/60/68(75.5)				mm 6/60/68(75.5)			
Electrical Data	IEC IEC60947-7-3		IEC IEC60947-7-3		IEC IEC60947-7-3			
Rated voltage	V 24 (Led voltage range 12~30V)		60 (Led voltage range 30~60V)		V 60 (Led voltage range 30~60V)			
Rated current	A 6.3		6.3		A 6.3			
Rated cross section	mm ² /AWG 0.2-4		28-10		mm ² /AWG 0.2-4		28-10	
Connection capacity	Solid	Stranded	Ferrule (with and without plastic sleeve)		Solid	Stranded	Ferrule (with and without plastic sleeve)	
1 conductor	mm ² 0.2-4	0.2-4	0.2-4	0.2-4	mm ² 0.2-4	0.2-4	0.2-4	0.2-4
2 flexible conductors with a TWIN ferrule	mm ² -	-	-	0.5-1	mm ² -	-	-	0.5-1
General Information								
Insulation material/Flammability rating (according to UL 94)	PA/V0				PA/V0			
Operation temperatures	°C (°F) -40(-40)~105(221)				°C (°F) -40(-40)~105(221)			
Stripping length	mm 10-12				mm 10-12			
Color	Black (please contact sales for other color requirements)				Black (please contact sales for other color requirements)			
Accessories								
Ferrule	/				/			
Slotted screwdriver size (Blade thickness x Width)	mm 0.5x3.5				mm 0.5x3.5			
Adjacent jumper	WFA4				WFA4			
Alternate jumper	WFB4				WFB4			
Staggered jumper	/				/			
End cover	/				/			
Partition plate	ATP-DS / ATP-PC N				ATP-DS / ATP-PC N			
Cover profile	AP3-COVER / AP3-T / AP3-T-KS				AP3-COVER / AP3-T / AP3-T-KS			
Top marker	ZB6 / ZS6				ZB6 / ZS6			
Side marker	/				/			
Warning cover	EEA4				EEA4			
Marker support	DTH3.5-25x3.5 / DTH3.5-25x12				DTH3.5-25x3.5 / DTH3.5-25x12			
Terminal strip marker support	DLM2 / KLM3-20x8 / KLM3-44x8				DLM2 / KLM3-20x8 / KLM3-44x8			
End clamp	E-PC 1100A / E-WS N				E-PC 1100A / E-WS N			
End cap	NS35/7.5-CAP NS35/15-CAP				NS35/7.5-CAP NS35/15-CAP			

Spring-cage connection technology

Feed-through, multi-conductor and ground terminal blocks



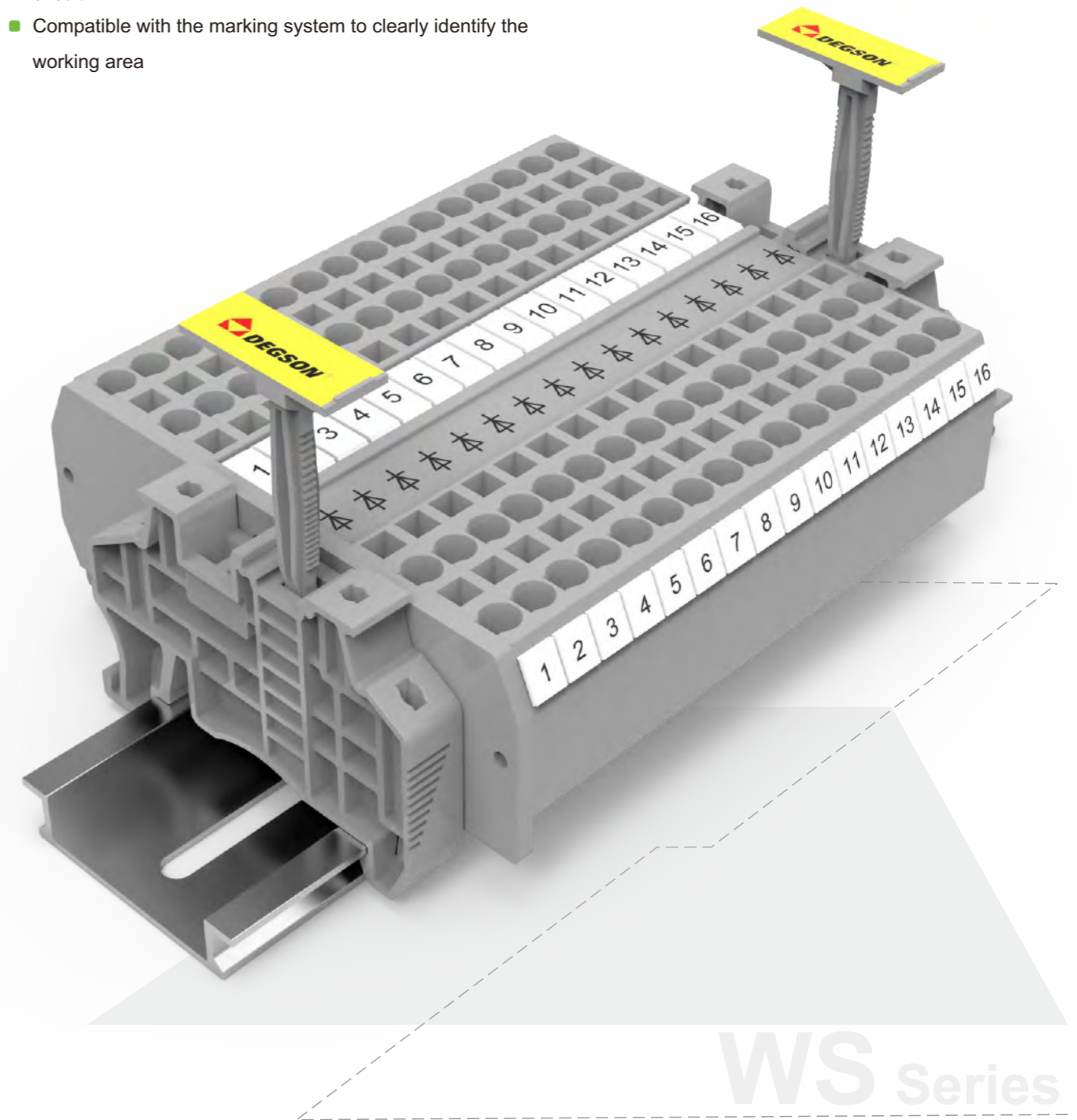
WSF4-TA-LD250



Order NO.	/			
Width/Length/Height(NS35/7.5&NS35/15)	mm	6/60/68(75.5)		
Electrical Data	IEC IEC60947-7-3			
Rated voltage	V	250 (Led voltage range 110-250V)		
Rated current	A	6.3		
Rated cross section	mm ² /AWG	0.2-4	28-10	
Connection capacity		Solid	Stranded	Ferrule (with and without plastic sleeve)
1 conductor	mm ²	0.2-4	0.2-4	0.2-4
2 flexible conductors with a TWIN ferrule	mm ²	-	-	0.5-1
General Information				
Insulation material/Flammability rating (according to UL 94)	PA/V0			
Operation temperatures	°C (°F)	-40(-40)~105(221)		
Stripping length	mm	10-12		
Color	Black (please contact sales for other color requirements)			
Accessories				
Ferrule	/			
Slotted screwdriver size (Blade thickness x Width)	mm	0.5x3.5		
Adjacent jumper		WFA4		
Alternate jumper		WFB4		
Staggered jumper	/			
End cover	/			
Partition plate		ATP-DS / ATP-PC N		
Cover profile		AP3-COVER / AP3-T / AP3-T-KS		
Top marker		ZB6 / ZS6		
Side marker	/			
Warning cover		EEA4		
Marker support		DTH3.5-25x3.5 / DTH3.5-25x12		
Terminal strip marker support		DLM2 / KLM3-20x8 / KLM3-44x8		
End clamp		E-PC 1100A / E-WS N		
End cap		NS35/7.5-CAP NS35/15-CAP		

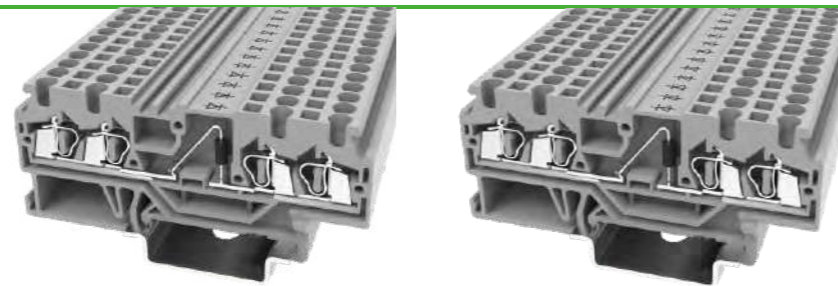
WS Component Terminal Blocks

- WS diode terminal blocks, with spring-cage connection technology ensure the good performance on anti-vibration
- With diode element, can realize unidirectional conduction of the circuit
- Compatible with the marking system to clearly identify the working area

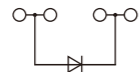


WS Series

Spring-cage connection technology

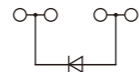


Component terminal blocks



WS2.5-QU-LD-L-R

CE ERE RoHS REACH



WS2.5-QU-LD-R-L

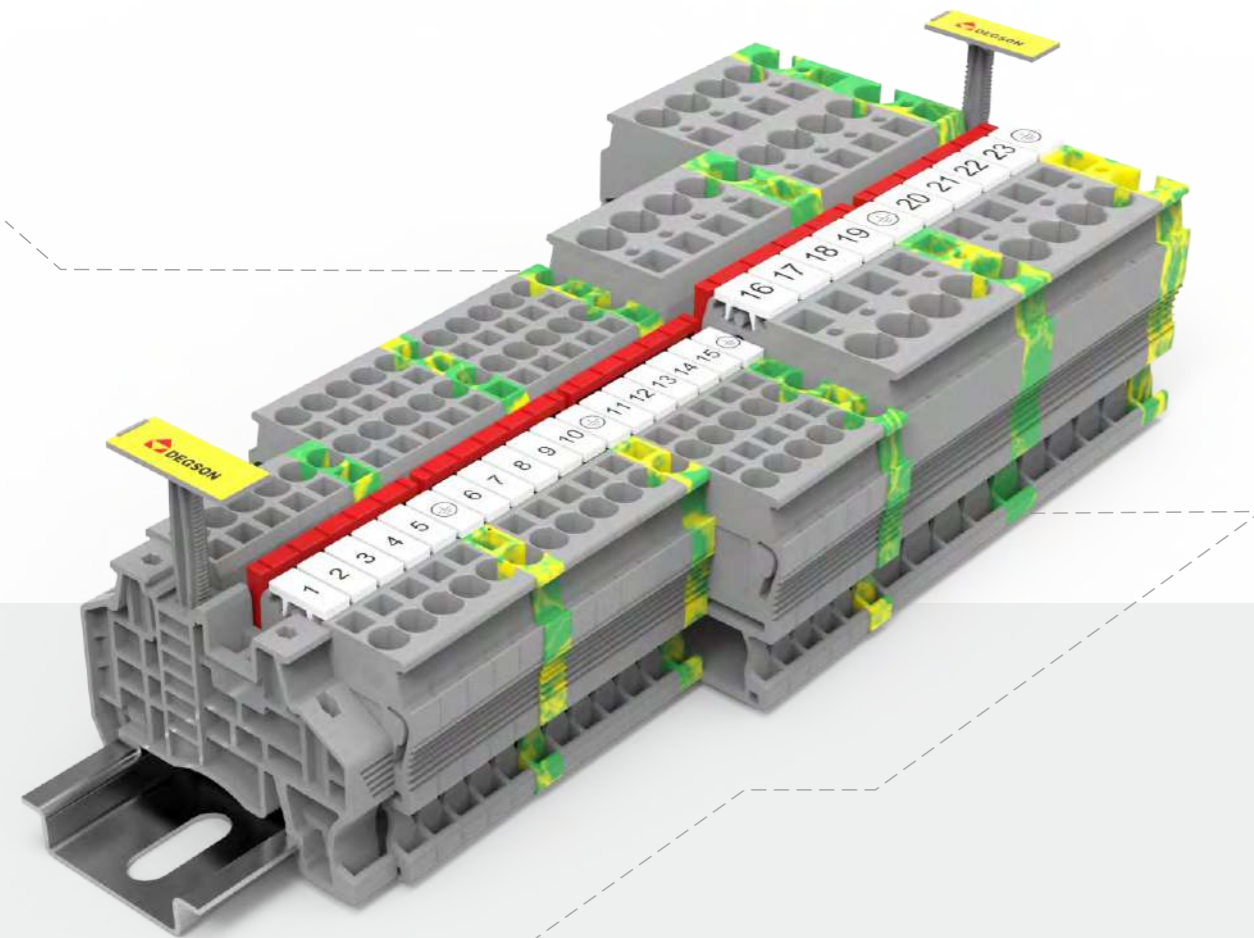
CE ERE RoHS REACH

Order NO.	11030000797				11030000796			
Width/Length/Height(NS35/7.5&NS35/15)	mm 5/75.5/35.45(42.95)				mm 5/75.5/35.45(42.95)			
Electrical Data	IEC IEC60947-7-1		UL UL1059		IEC IEC60947-7-1		UL UL1059	
Rated voltage & Reverse voltage	V 250 (Reverse breakdown voltage 1KV)				V 250 (Reverse breakdown voltage 1KV)			
Rated current	A 0.5 (The brand of diode is 1N4007, with current of 0.5A)				A 0.5 (The brand of diode is 1N4007, with current of 0.5A)			
Rated cross section	mm ² /AWG 0.2-2.5		28-14		mm ² /AWG 0.2-2.5		28-14	
Connection capacity	Solid	Stranded	Ferrule (with and without plastic sleeve)		Solid	Stranded	Ferrule (with and without plastic sleeve)	
1 conductor	mm ² 2.5-2.5	2.5-2.5	2.5-2.5	2.5-2.5	mm ² 2.5-2.5	2.5-2.5	2.5-2.5	2.5-2.5
2 flexible conductors with a TWIN ferrule	mm ² —	—	—	0.5	mm ² —	—	—	0.5
General Information								
Insulation material/Flammability rating (according to UL 94)	PA/V0				PA/V0			
Operation temperatures	°C (°F) -40(-40)~105(221)				°C (°F) -40(-40)~105(221)			
Stripping length	mm 9				mm 9			
Color	Grey, Red, Blue (please contact sales for other color requirements)				Grey, Red, Blue (please contact sales for other color requirements)			
Accessories								
Ferrule	/				/			
Slotted screwdriver size (Blade thickness x Width)	mm 0.5x3.5				mm 0.5x3.5			
Adjacent jumper	/				/			
Alternate jumper	/				/			
Staggered jumper	/				/			
End cover	D-WS2.5-QU				D-WS2.5-QU			
Partition plate	ATP-DS / ATP-PC N				ATP-DS / ATP-PC N			
Cover profile	AP3-COVER / AP3-T / AP3-T-KS				AP3-COVER / AP3-T / AP3-T-KS			
Top marker	ZB5 / ZS5 / WB5				ZB5 / ZS5 / WB5			
Side marker	DEK5				DEK5			
Warning cover	EEA2.5				EEA2.5			
Marker support	DTH3.5-25x3.5 / DTH3.5-25x12				DTH3.5-25x3.5 / DTH3.5-25x12			
Terminal strip marker support	DLM2 / KLM3-20x8 / KLM3-44x8				DLM2 / KLM3-20x8 / KLM3-44x8			
End clamp	E-PC 1100A / E-WS N				E-PC 1100A / E-WS N			
End cap	NS35/7.5-CAP NS35/15-CAP				NS35/7.5-CAP NS35/15-CAP			

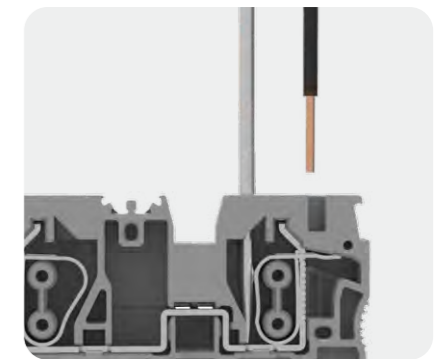
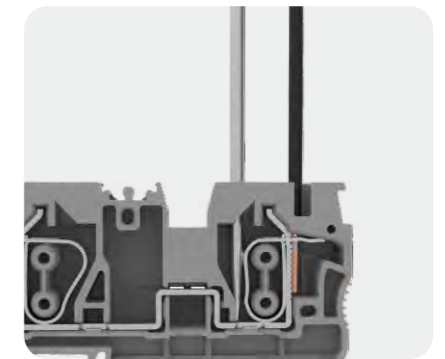
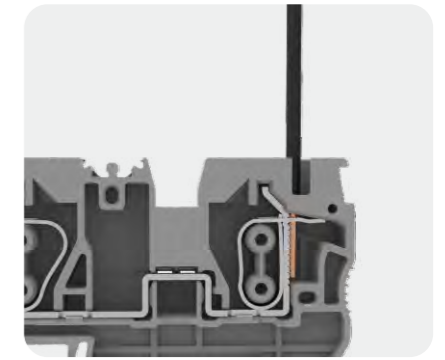
STB Spring-cage Terminal Blocks

Feature

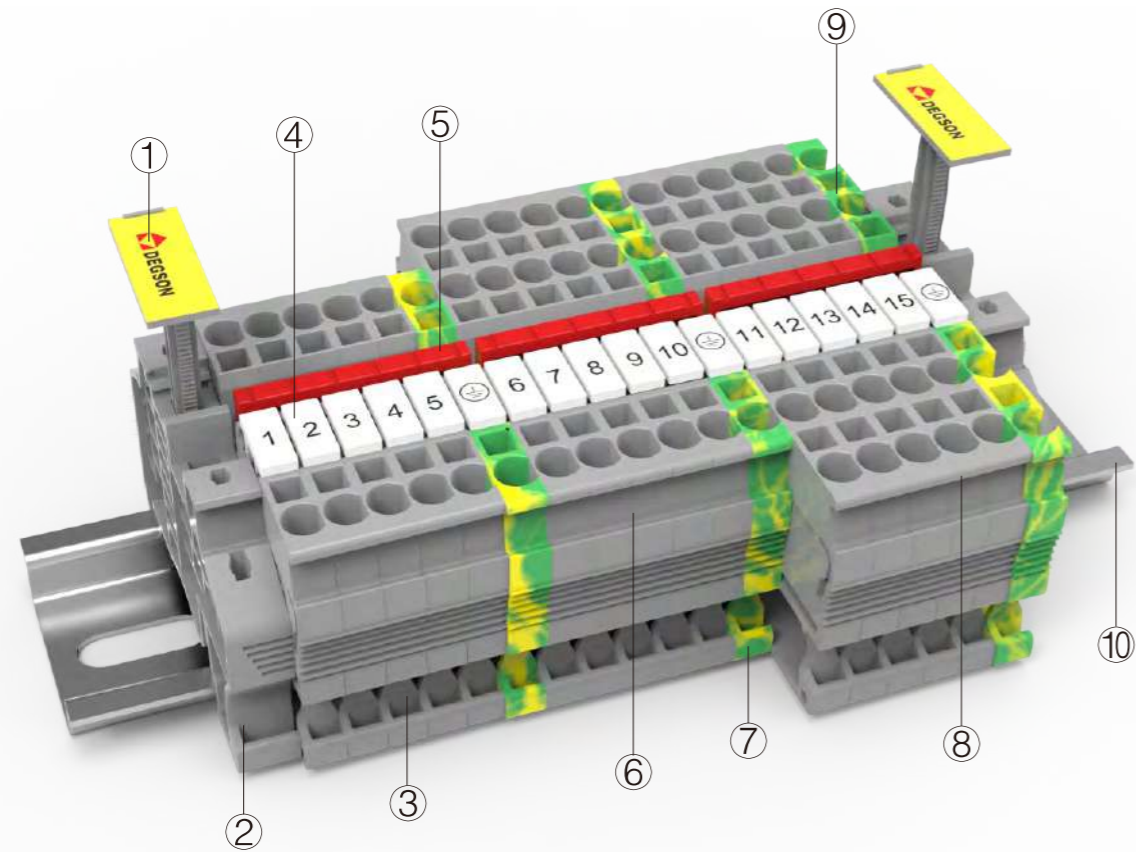
- Proven spring-cage connection technology with excellent seismic performance.
- With large wiring capacity, it can be connected to rated conductors with or without ferrules.
- Double-channel bridge wells, with a 2-20 bit bridge, can flexibly distribute potential.
- Clear front identification and easy identification of the marked area.



STB Series



STB spring-cage terminal blocks are made of high-quality alloy structure, providing reliable and durable connection products. It is possible to connect wires that have not been pretreated. The wiring capacity is large, and the wires with or without a cold pressure head of the rated wire diameter can be accessed. At the same time, the proven pull-back connection technology has excellent seismic performance and excellent performance in high vibration situations such as railways, ships, and equipment manufacturing. The plastic raw materials of PA66 UL94 VO can meet the working environment of - 40 °C to 105 °C.



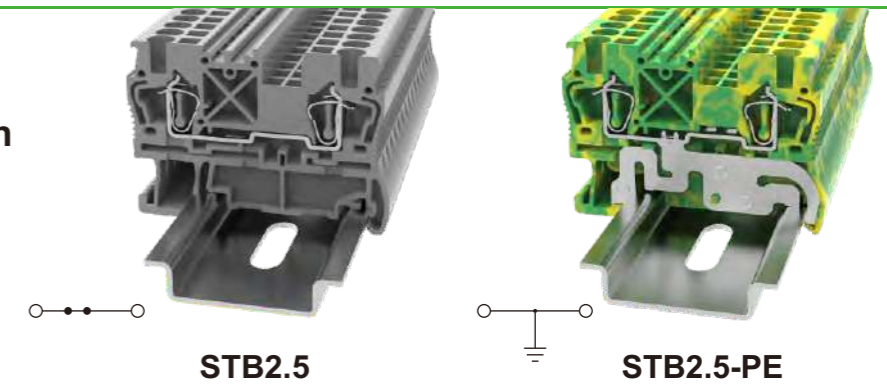
Description	Part No.	Remark
① Marker carrier	KLM3-20x8-11-00A(H)	Suitable for E-PC-1100A(H) & E-WS N
② End clamp	E-WS N-01P-11-00A(H)	Fixing products on NS35 DIN rail
③ Terminal blocks	STB2.5-01P-11-00A(H)	Steel cage locking type 4mm ² DIN Rail terminal blocks
④ Marker	ZB5-10P-19-00A(H)	Marker is used for the side of STB2.5 series
⑤ Plug-in bridge	DFA6-5.2-16-00A(H)	06P bridge, use for STB2.5 series
⑥ Terminal blocks	STB2.5-TW-01P-11-00A(H)	Steel cage locking type 4mm ² DIN Rail terminal blocks
⑦ Terminal blocks	STB2.5-TW-PE-01P-1C-00A(H)	Steel cage locking type 4mm ² DIN Rail terminal blocks
⑧ Terminal blocks	STB2.5-QU-01P-11-00A(H)	Steel cage locking type 4mm ² DIN Rail terminal blocks
⑨ Terminal blocks	STB2.5-QU-PE-01P-1C-00A(H)	Steel cage locking type 4mm ² DIN Rail terminal blocks
⑩ DIN rail	NS35/7.5-0150-00A(H)	NS35 DIN rail

Circuit diagram

	Connection point for wiring		Fuse connection		Disconnecting
	Connection point for bridging		Resistance connection		Circuit connection point
	LED light connection		Grounding connection		Diode connection

Spring-cage connection technology

Feed-through terminal block



CE ERE RoHS REACH

CE ERE RoHS REACH

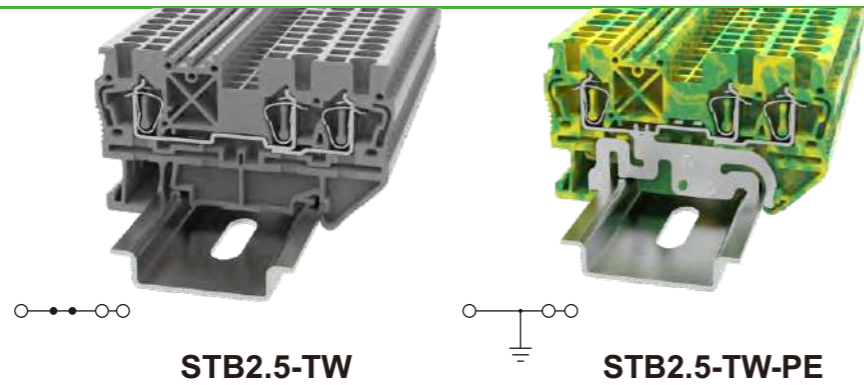
Order NO.	11030000831				11030000832			
Width/Length/Height(NS35/7.5&NS35/15)	mm				5.2/50.7/40(47.5)			
Electrical Data	IEC		UL		IEC		UL	
	IEC60947-7-1		UL1059		IEC60947-7-2		UL1059	
Rated voltage	V		800		600		/	
Rated current	A		24		20		/	
Rated cross section	mm ² / AWG		0.08-4		28-12		0.08-4 28-12	
Connection capacity			Solid	Stranded	Ferrule (with and without plastic sleeve)			
	1 conductor		mm ²	0.08-4	0.08-4	0.14-2.5	0.14-2.5	0.08-4
2 flexible conductors with a TWIN ferrule		mm ²	-	-	-	0.5	-	-

General Information		
Insulation material/Flammability rating (according to UL 94)	PA/V0	
Operation temperatures	°C (°F)	
	-40(-40)~105(221)	
Stripping length	mm	
	8-10	
Color	Grey, Red, Blue (please contact sales for other color requirements)	
	Yellow green mixed color	

Accessories		
Ferrule	/	
Slotted screwdriver size (Blade thickness x Width)	mm	
	0.6x3.5	
Bridge (2-10P, 20P)		
	DFA2-5.2 DFA3-5.2 DFA4-5.2 DFA5-5.2 DFA6-5.2 DFA7-5.2 DFA8-5.2 DFA9-5.2 DFA10-5.2 DFA20-5.2	DFA2-5.2 DFA3-5.2 DFA4-5.2 DFA5-5.2 DFA6-5.2 DFA7-5.2 DFA8-5.2 DFA9-5.2 DFA10-5.2 DFA20-5.2
End cover	D-STB2.5	
Partition plate	ATP-DS / ATP-PC N	
Cover profile	AP3-COVER / AP3-T / AP3-T-KS	
Top marker	ZB5 / ZS5	
Side marker	ZSF5 / ZK5	
Marker support	DTH5-25x5 / DTH5-25x12	
Terminal strip marker support	DLM2 / KLM3-20x8 / KLM3-44x8	
End clamp	E-PC 1100A / E-WS N	
End cap	NS35/7.5-CAP NS35/15-CAP	

Spring-cage connection technology

Feed-through terminal block



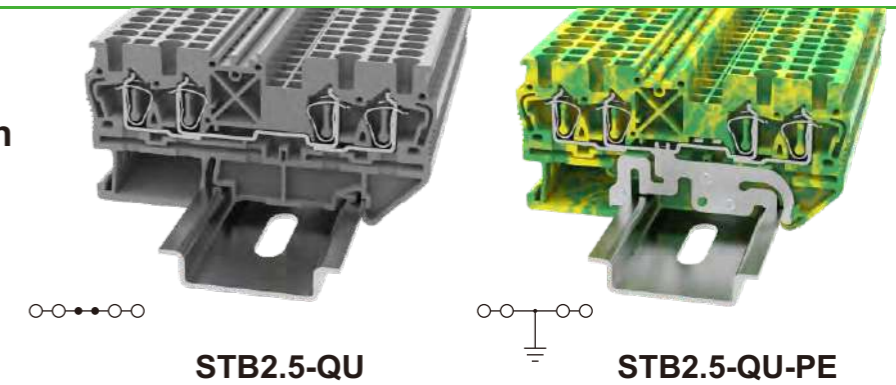
CE ERE RoHS REACH

CE ERE RoHS REACH

Order NO.	11030000829				11030000830					
Width/Length/Height(NS35/7.5&NS35/15) mm	5.2/62.5/40(47.5)				5.2/62.5/40(47.5)					
Electrical Data	IEC IEC60947-7-1		UL UL1059		IEC IEC60947-7-2		UL UL1059			
Rated voltage V	800		600		/		/			
Rated current A	24		20		/		/			
Rated cross section mm ² /AWG	0.08-4		28-12		0.08-4		28-12			
Connection capacity	Solid	Stranded	Ferrule (with and without plastic sleeve)		Solid	Stranded	Ferrule (with and without plastic sleeve)			
1 conductor mm ²	0.08-4	0.08-4	0.14-2.5	0.14-2.5	0.08-4	0.08-4	0.14-2.5	0.14-2.5		
2 flexible conductors with a TWIN ferrule mm ²	-	-	-	0.5	-	-	-	0.5		
General Information										
Insulation material/Flammability rating (according to UL 94)	PA/V0				PA/V0					
Operation temperatures °C (°F)	-40(-40)~105(221)				-40(-40)~105(221)					
Stripping length mm	8-10				8-10					
Color	Grey, Red, Blue (please contact sales for other color requirements)				Yellow green mixed color					
Accessories										
Ferrule	/				/					
Slotted screwdriver size (Blade thickness x Width) mm	0.6x3.5				0.6x3.5					
Bridge (2-10P, 20P)	DFA2-5.2	DFA3-5.2	DFA4-5.2	DFA5-5.2	DFA6-5.2	DFA7-5.2	DFA8-5.2	DFA9-5.2	DFA10-5.2	DFA20-5.2
End cover	D-STB2.5-TW				D-STB2.5-TW					
Partition plate	ATP-DS / ATP-PC N				ATP-DS / ATP-PC N					
Cover profile	AP3-COVER / AP3-T / AP3-T-KS				AP3-COVER / AP3-T / AP3-T-KS					
Top marker	ZB5 / ZS5				ZB5 / ZS5					
Side marker	ZSF5 / ZK5				ZSF5 / ZK5					
Marker support	DTH5-25x5 / DTH5-25x12				DTH5-25x5 / DTH5-25x12					
Terminal strip marker support	DLM2 / KLM3-20x8 / KLM3-44x8				DLM2 / KLM3-20x8 / KLM3-44x8					
End clamp	E-PC 1100A / E-WS N				E-PC 1100A / E-WS N					
End cap	NS35/7.5-CAP NS35/15-CAP				NS35/7.5-CAP NS35/15-CAP					

Spring-cage connection technology

Feed-through terminal block



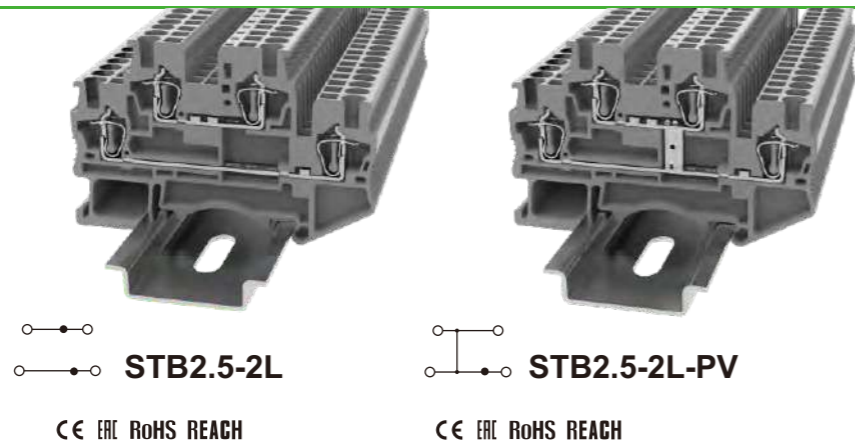
CE ERE RoHS REACH

CE ERE RoHS REACH

Order NO.	11030000818				11030000817					
Width/Length/Height(NS35/7.5&NS35/15) mm	5.2/74.3/40(47.5)				5.2/74.3/40(47.5)					
Electrical Data	IEC IEC60947-7-1		UL UL1059		IEC IEC60947-7-2		UL UL1059			
Rated voltage V	800		600		/		/			
Rated current A	24		20		/		/			
Rated cross section mm ² /AWG	0.08-4		28-12		0.14-1.5		26-14			
Connection capacity	Solid	Stranded	Ferrule (with and without plastic sleeve)		Solid	Stranded	Ferrule (with and without plastic sleeve)			
1 conductor mm ²	0.08-4	0.08-4	0.14-2.5	0.14-2.5	0.08-4	0.08-4	0.14-2.5	0.14-2.5		
2 flexible conductors with a TWIN ferrule mm ²	-	-	-	0.5	-	-	-	0.5		
General Information										
Insulation material/Flammability rating (according to UL 94)	PA/V0				PA/V0					
Operation temperatures °C (°F)	-40(-40)~105(221)				-40(-40)~105(221)					
Stripping length mm	8-10				8-10					
Color	Grey, Red, Blue (please contact sales for other color requirements)				Yellow green mixed color					
Accessories										
Ferrule	/				/					
Slotted screwdriver size (Blade thickness x Width) mm	0.6x3.5				0.6x3.5					
Bridge (2-10P, 20P)	DFA2-5.2	DFA3-5.2	DFA4-5.2	DFA5-5.2	DFA6-5.2	DFA7-5.2	DFA8-5.2	DFA9-5.2	DFA10-5.2	DFA20-5.2
End cover	D-STB2.5-QU				D-STB2.5-QU					
Partition plate	ATP-DS / ATP-PC N				ATP-DS / ATP-PC N					
Cover profile	AP3-COVER / AP3-T / AP3-T-KS				AP3-COVER / AP3-T / AP3-T-KS					
Top marker	ZB5 / ZS5				ZB5 / ZS5					
Side marker	ZSF5 / ZK5				ZSF5 / ZK5					
Marker support	DTH5-25x5 / DTH5-25x12				DTH5-25x5 / DTH5-25x12					
Terminal strip marker support	DLM2 / KLM3-20x8 / KLM3-44x8				DLM2 / KLM3-20x8 / KLM3-44x8					
End clamp	E-PC 1100A / E-WS N				E-PC 1100A / E-WS N					
End cap	NS35/7.5-CAP NS35/15-CAP				NS35/7.5-CAP NS35/15-CAP					

Spring-cage connection technology

Double layer terminal block



STB2.5-2L

STB2.5-2L-PV

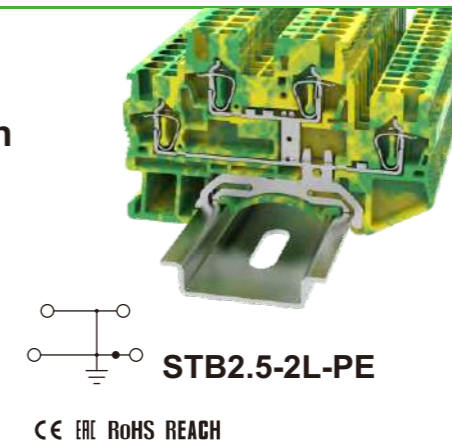
CE ENEC RoHS REACH

CE ENEC RoHS REACH

Order NO.	11030000732				11030000733			
Width/Length/Height(NS35/7.5&NS35/15)	mm 5.2/71.9/47(54.5)				mm 5.2/71.9/47(54.5)			
Electrical Data	IEC IEC60947-7-1		UL UL1059		IEC IEC60947-7-2		UL UL1059	
Rated voltage	V 500		300		V 500		300	
Rated current	A 22		20		A 22		20	
Rated cross section	mm ² /AWG 0.08-4		28-12		mm ² /AWG 0.08-4		28-12	
Connection capacity	Solid	Stranded	Ferrule (with and without plastic sleeve)		Solid	Stranded	Ferrule (with and without plastic sleeve)	
1 conductor	mm ² 0.08-4	0.08-2.5	0.14-2.5	0.14-2.5	mm ² 0.08-4	0.08-2.5	0.14-2.5	0.14-2.5
2 flexible conductors with a TWIN ferrule	mm ² —	—	—	0.5	mm ² —	—	—	0.5
General Information								
Insulation material/Flammability rating (according to UL 94)	PA/V0				PA/V0			
Operation temperatures	°C (°F) -40(-40)~105(221)				°C (°F) -40(-40)~105(221)			
Stripping length	mm 8-10				mm 8-10			
Color	Grey, Red, Blue (please contact sales for other color requirements)				Grey, Red, Blue (please contact sales for other color requirements)			
Accessories								
Ferrule	/				/			
Slotted screwdriver size (Blade thickness x Width)	mm 0.6x3.5				mm 0.6x3.5			
Bridge (2-10P, 20P)	DFA2-5.2 DFA3-5.2 DFA4-5.2 DFA5-5.2 DFA6-5.2 DFA7-5.2 DFA8-5.2 DFA9-5.2 DFA10-5.2 DFA20-5.2		DFA2-5.2 DFA3-5.2 DFA4-5.2 DFA5-5.2 DFA6-5.2 DFA7-5.2 DFA8-5.2 DFA9-5.2 DFA10-5.2 DFA20-5.2		DFA2-5.2 DFA3-5.2 DFA4-5.2 DFA5-5.2 DFA6-5.2 DFA7-5.2 DFA8-5.2 DFA9-5.2 DFA10-5.2 DFA20-5.2		DFA2-5.2 DFA3-5.2 DFA4-5.2 DFA5-5.2 DFA6-5.2 DFA7-5.2 DFA8-5.2 DFA9-5.2 DFA10-5.2 DFA20-5.2	
End cover	D-STB2.5-2L				D-STB2.5-2L			
Partition plate	ATP-DS / ATP-PC N				ATP-DS / ATP-PC N			
Cover profile	AP3-COVER / AP3-T / AP3-T-KS				AP3-COVER / AP3-T / AP3-T-KS			
Top marker	/				/			
Side marker	ZK5 / ZSF5				ZK5 / ZSF5			
Marker support	DMTH5-2 / DMTH5-3				DMTH5-2 / DMTH5-3			
Terminal strip marker support	DLM2 / KLM3-20x8 / KLM3-44x8				DLM2 / KLM3-20x8 / KLM3-44x8			
End clamp	E-PC 1100A / E-WS N				E-PC 1100A / E-WS N			
End cap	NS35/7.5-CAP NS35/15-CAP				NS35/7.5-CAP NS35/15-CAP			

Spring-cage connection technology

Double layer terminal block



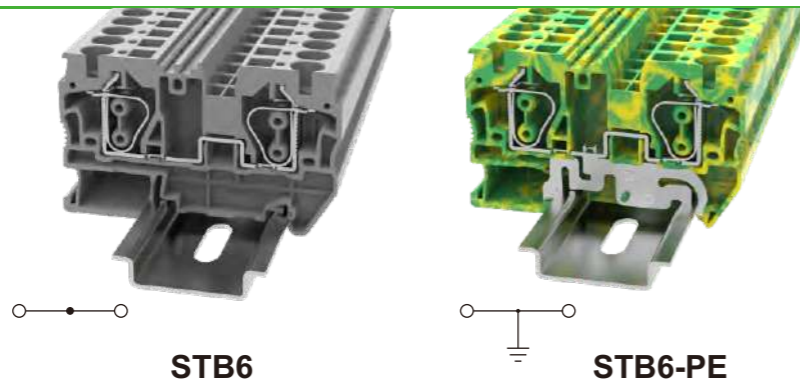
STB2.5-2L-PE

CE ENEC RoHS REACH

Order NO.	11030000734			
Width/Length/Height(NS35/7.5&NS35/15)	mm 5.2/71.9/47(54.5)			
Electrical Data	IEC IEC60947-7-1		UL UL1059	
Rated voltage	V /		/	
Rated current	A /		/	
Rated cross section	mm ² /AWG 0.08-4		28-12	
Connection capacity	Solid	Stranded	Ferrule (with and without plastic sleeve)	
1 conductor	mm ² 0.08-4	0.08-2.5	0.14-2.5	0.14-2.5
2 flexible conductors with a TWIN ferrule	mm ² —	—	—	0.5
General Information				
Insulation material/Flammability rating (according to UL 94)	PA/V0			
Operation temperatures	°C (°F) -40(-40)~105(221)			
Stripping length	mm 8-10			
Color	Yellow green mixed color			
Accessories				
Ferrule	/			
Slotted screwdriver size (Blade thickness x Width)	mm 0.6x3.5			
Bridge (2-10P, 20P)	DFA2-5.2 DFA3-5.2 DFA4-5.2 DFA5-5.2 DFA6-5.2 DFA7-5.2 DFA8-5.2 DFA9-5.2 DFA10-5.2 DFA20-5.2		DFA2-5.2 DFA3-5.2 DFA4-5.2 DFA5-5.2 DFA6-5.2 DFA7-5.2 DFA8-5.2 DFA9-5.2 DFA10-5.2 DFA20-5.2	
End cover	D-STB2.5-2L			
Partition plate	ATP-DS / ATP-PC N			
Cover profile	AP3-COVER / AP3-T / AP3-T-KS			
Top marker	/			
Side marker	ZK5 / ZSF5			
Marker support	DMTH5-2 / DMTH5-3			
Terminal strip marker support	DLM2 / KLM3-20x8 / KLM3-44x8			
End clamp	E-PC 1100A / E-WS N			
End cap	NS35/7.5-CAP NS35/15-CAP			

Spring-cage connection technology

Feed-through terminal block



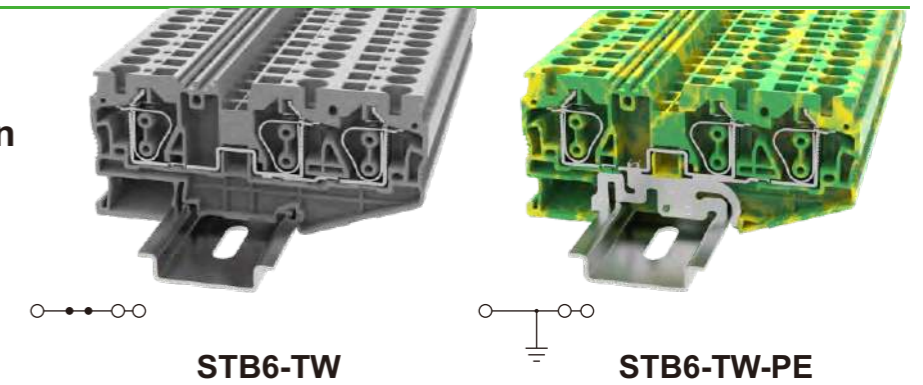
CE ERE RoHS REACH

CE ERE RoHS REACH

Order NO.	11030000833				11030000834			
Width/Length/Height(NS35/7.5&NS35/15)	mm 8.2/69.5/43.7(51.2)				mm 8.2/69.5/43.7(51.2)			
Electrical Data	IEC IEC60947-7-1		UL UL1059		IEC IEC60947-7-2		UL UL1059	
Rated voltage	V 1000		600		/		/	
Rated current	A 41		50		/		/	
Rated cross section	mm ² /AWG 0.2-10		24-10		0.2-10		24-10	
Connection capacity	Solid	Stranded	Ferrule (with and without plastic sleeve)		Solid	Stranded	Ferrule (with and without plastic sleeve)	
1 conductor	mm ² 0.2-10	0.2-6	0.25-6	0.25-6	0.2-10	0.2-6	0.25-6	0.25-6
2 flexible conductors with a TWIN ferrule	mm ² -	-	-	0.5-1.5	-	-	-	0.5-1.5
General Information								
Insulation material/Flammability rating (according to UL 94)	PA/V0				PA/V0			
Operation temperatures	°C (°F) -40(-40)~105(221)				-40(-40)~105(221)			
Stripping length	mm 13-14				13-14			
Color	Grey, Red, Blue (please contact sales for other color requirements)				Yellow green mixed color			
Accessories								
Ferrule	/				/			
Slotted screwdriver size (Blade thickness x Width)	mm 0.8x4				0.8x4			
Bridge (2-10P)	DFA2-8.2 DFA3-8.2 DFA4-8.2 DFA5-8.2 DFA6-8.2 DFA7-8.2 DFA8-8.2 DFA9-8.2 DFA10-8.2		DFA2-8.2 DFA3-8.2 DFA4-8.2 DFA5-8.2 DFA6-8.2 DFA7-8.2 DFA8-8.2 DFA9-8.2 DFA10-8.2		DFA2-8.2 DFA3-8.2 DFA4-8.2 DFA5-8.2 DFA6-8.2 DFA7-8.2 DFA8-8.2 DFA9-8.2 DFA10-8.2		DFA2-8.2 DFA3-8.2 DFA4-8.2 DFA5-8.2 DFA6-8.2 DFA7-8.2 DFA8-8.2 DFA9-8.2 DFA10-8.2	
End cover	D-STB6				D-STB6			
Partition plate	ATP-DS / ATP-PC N				ATP-DS / ATP-PC N			
Cover profile	AP3-COVER / AP3-T / AP3-T-KS				AP3-COVER / AP3-T / AP3-T-KS			
Top marker	ZB8 / ZS8				ZB8 / ZS8			
Side marker	ZSF8				ZSF8			
Marker support	DTH5-25x5 / DTH5-25x12				DTH5-25x5 / DTH5-25x12			
Terminal strip marker support	DLM2 / KLM3-20x8 / KLM3-44x8				DLM2 / KLM3-20x8 / KLM3-44x8			
End clamp	E-PC 1100A / E-WS N				E-PC 1100A / E-WS N			
End cap	NS35/7.5-CAP NS35/15-CAP				NS35/7.5-CAP NS35/15-CAP			

Spring-cage connection technology

Feed-through terminal block



CE ERE RoHS REACH

CE ERE RoHS REACH

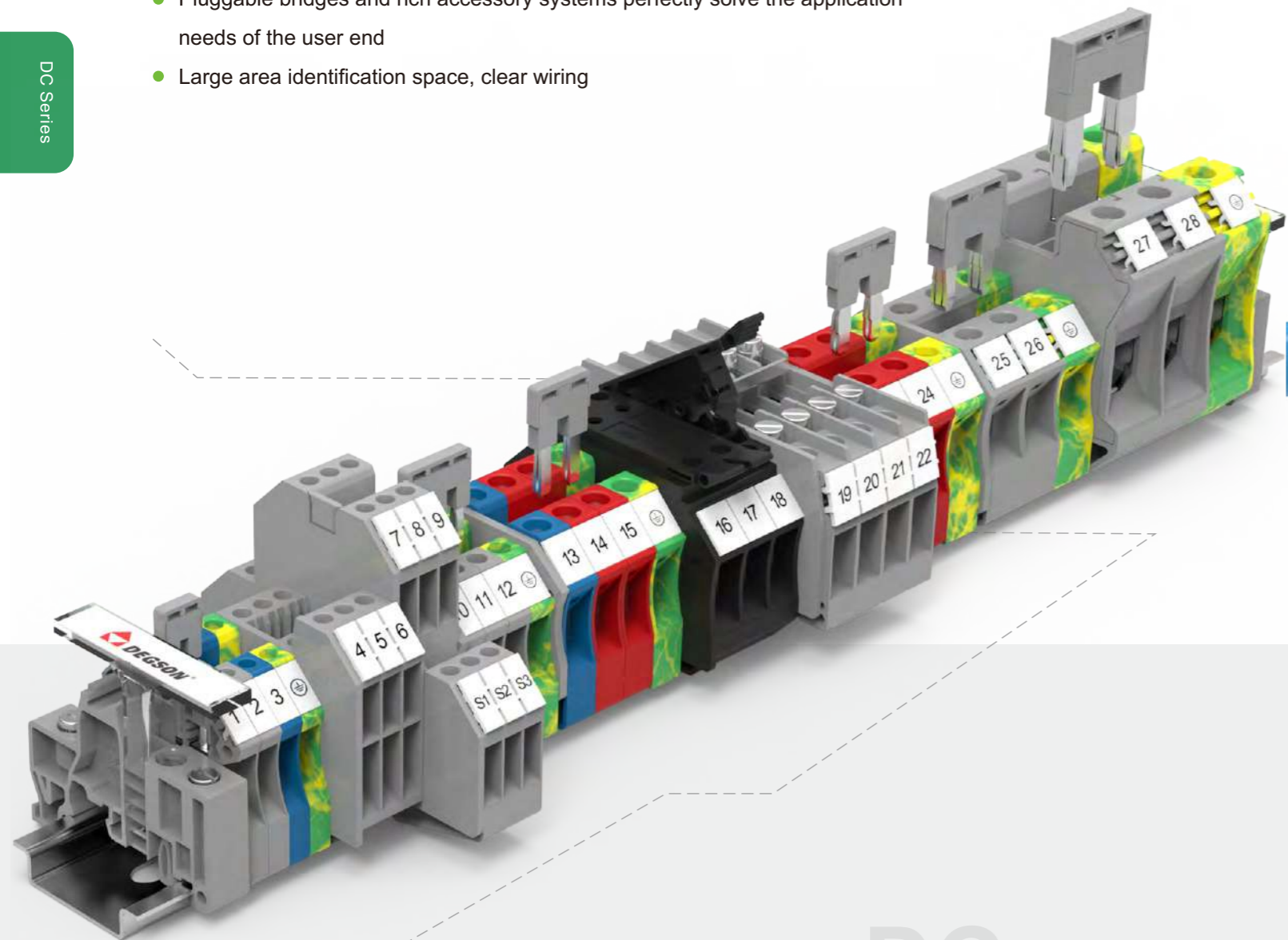
Order NO.	11030000822				11030000823			
Width/Length/Height(NS35/7.5&NS35/15)	mm 8.2/91.6/43.7(51.2)				mm 8.2/91.6/43.7(51.2)			
Electrical Data	IEC IEC60947-7-1		UL UL1059		IEC IEC60947-7-2		UL UL1059	
Rated voltage	V 1000		600		/		/	
Rated current	A 41		50		/		/	
Rated cross section	mm ² /AWG 0.2-10		24-10		0.2-10		24-10	
Connection capacity	Solid	Stranded	Ferrule (with and without plastic sleeve)		Solid	Stranded	Ferrule (with and without plastic sleeve)	
1 conductor	mm ² 0.2-10	0.2-6	0.25-6	0.25-6	0.2-10	0.2-6	0.25-6	0.25-6
2 flexible conductors with a TWIN ferrule	mm ² -	-	-	0.5-1.5	-	-	-	0.5-1.5
General Information								
Insulation material/Flammability rating (according to UL 94)	PA/V0				PA/V0			
Operation temperatures	°C (°F) -40(-40)~105(221)				-40(-40)~105(221)			
Stripping length	mm 13-14				13-14			
Color	Grey, Red, Blue (please contact sales for other color requirements)				Yellow green mixed color			
Accessories								
Ferrule	/				/			
Slotted screwdriver size (Blade thickness x Width)	mm 0.8x4				0.8x4			
Bridge (2-10P)	DFA2-8.2 DFA3-8.2 DFA4-8.2 DFA5-8.2 DFA6-8.2 DFA7-8.2 DFA8-8.2 DFA9-8.2 DFA10-8.2		DFA2-8.2 DFA3-8.2 DFA4-8.2 DFA5-8.2 DFA6-8.2 DFA7-8.2 DFA8-8.2 DFA9-8.2 DFA10-8.2		DFA2-8.2 DFA3-8.2 DFA4-8.2 DFA5-8.2 DFA6-8.2 DFA7-8.2 DFA8-8.2 DFA9-8.2 DFA10-8.2		DFA2-8.2 DFA3-8.2 DFA4-8.2 DFA5-8.2 DFA6-8.2 DFA7-8.2 DFA8-8.2 DFA9-8.2 DFA10-8.2	
End cover	D-STB6-TW				D-STB6-TW			
Partition plate	ATP-DS / ATP-PC N				ATP-DS / ATP-PC N			
Cover profile	AP3-COVER / AP3-T / AP3-T-KS				AP3-COVER / AP3-T / AP3-T-KS			
Top marker	ZB8 / ZS8				ZB8 / ZS8			
Side marker	ZSF8				ZSF8			
Marker support	DTH3.5-25x3.5 / DTH3.5-25x12				DTH3.5-25x3.5 / DTH3.5-25x12			
Terminal strip marker support	DLM2 / KLM3-20x8 / KLM3-44x8				DLM2 / KLM3-20x8 / KLM3-44x8			
End clamp	E-PC 1100A / E-WS N				E-PC 1100A / E-WS N			
End cap	NS35/7.5-CAP NS35/15-CAP				NS35/7.5-CAP NS35/15-CAP			

DC-Steel Screw Terminal Blocks

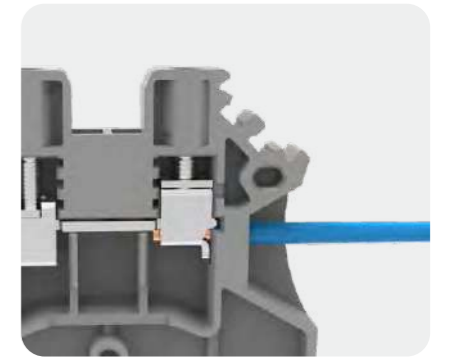
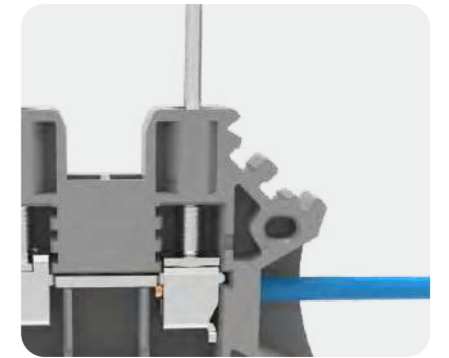
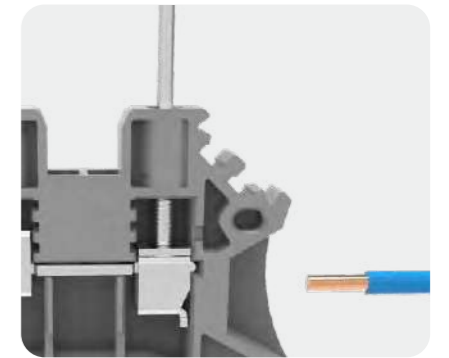
Feature

- The steel cage is used to clamp the wire, and the connection is stable and reliable
- Double channel bridge position, easy to realize potential distribution
- Pluggable bridges and rich accessory systems perfectly solve the application needs of the user end
- Large area identification space, clear wiring

DC Series



DC Series

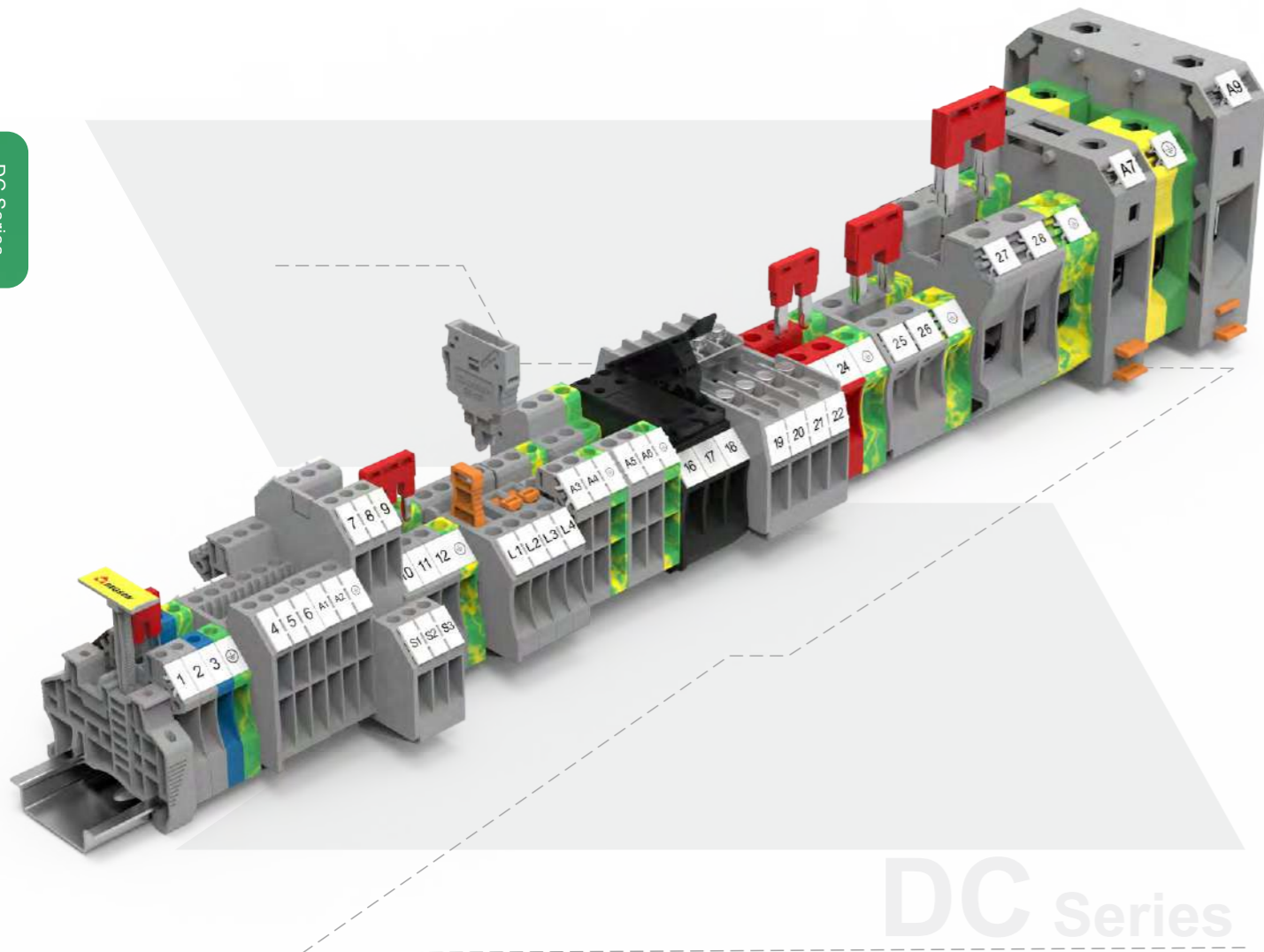


DC Series

DC Steel screw terminal blocks, steel screw and steel cage cooperate with clamp wire, with good torsion and stability. The carrier adopts high-precision copper alloy conductor provide the lowest temperature rise, and ensure reliable and safe connection. The raw materials of PA66 plastic parts can meet the working environment of - 40 °C to 105 °C, all DC series products meet UL94 V0 flame retardant grade. Compact structure multi-conductor and multi-layer terminals, saving space in the cabinet.

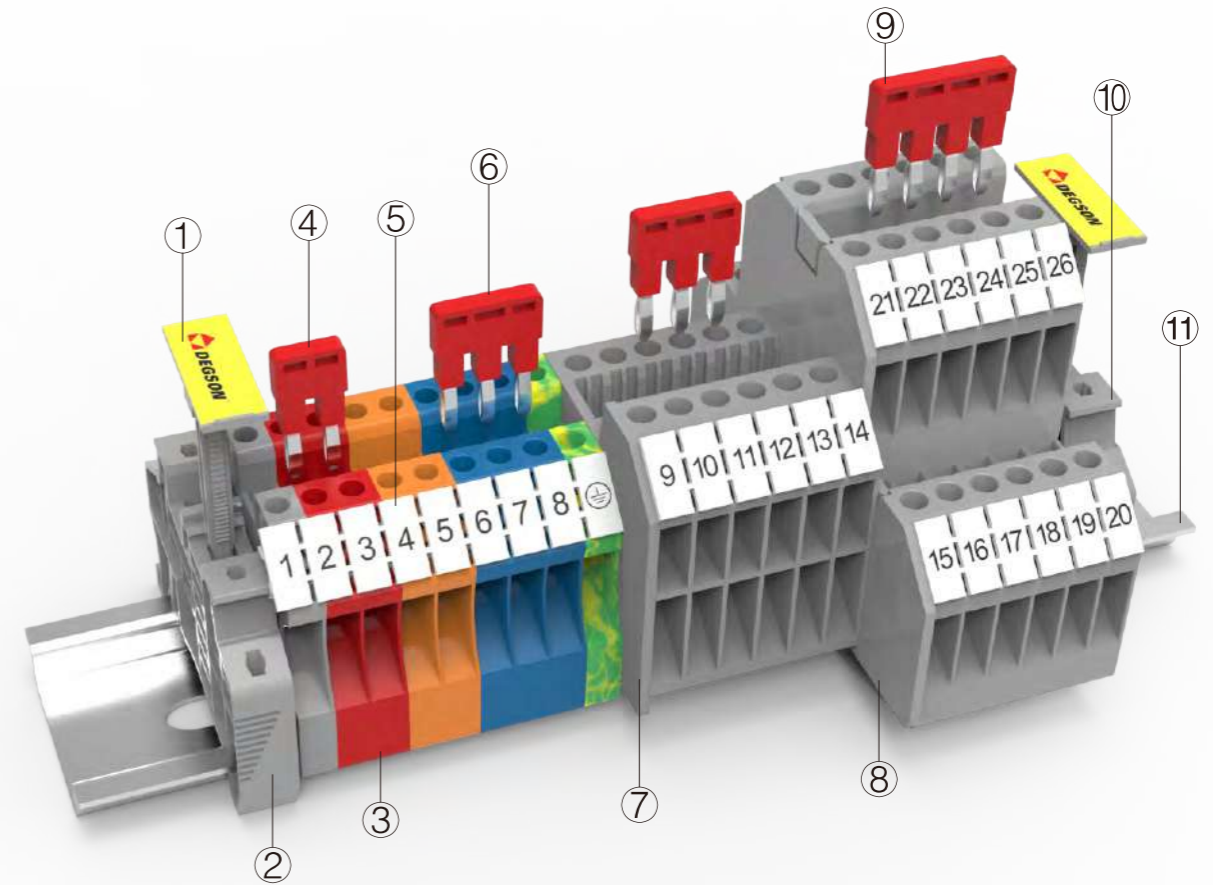
DC Feed-through Terminal Blocks

- DC Feed-through terminal blocks, with screw connection technology, high-quality steel screw and cage ensure the stable & reliable connection
- Multi-deck type, space saving
- Double-channel bridging design and 2-10 poles bridges reach the flexible distribution of potentials
- Compatible with the marking system to clearly identify the working area



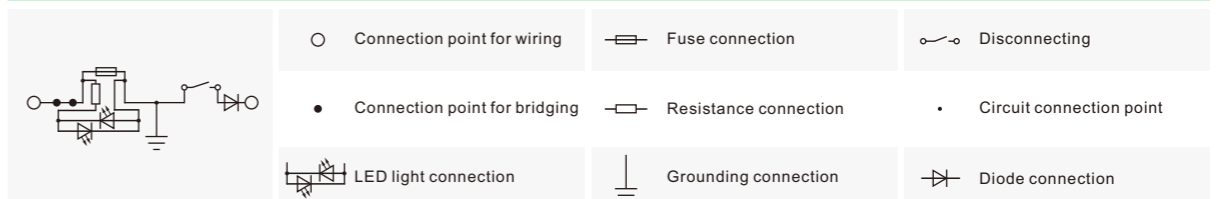
DC Series

DC Series



Description	Part No.	Remark
① Marker carrier	KLM3-20x8-11-00A(H)	Suitable for E-PC-1100A(H) & E-WS N
② End clamp	E-WS N-01P-11-00A(H)	Fixing products on NS35 DIN rail
③ Terminal blocks	DC2.5-01P-11-00A(H)	Steel cage locking type 2.5mm ² DIN Rail terminal blocks
④ Plug-in bridge	DFA2.5-02P-11-00A(H)	02P bridge, use for DC2.5 series
⑤ Marker	ZB5-10P-19-00A(H)	Marker is used for the side of DC2.5 series
⑥ Plug-in bridge	DFA2.5-03P-11-00A(H)	03P bridge, use for DC2.5 series
⑦ End cover	D-DC2.5-TW-01P-11-00A(H)	End cover is used for DC2.5-TW
⑧ End cover	D-DCKKB2.5-01P-11-00A(H)	End cover is used for DCKKB2.5
⑨ Plug-in bridge	DFA2.5-04P-11-00A(H)	04P bridge, use for DC2.5 series
⑩ End clamp	E-WS N-01P-11-00A(H)	Fixing products on NS35 DIN rail
⑪ DIN rail	NS35/7.5-0150-00A(H)	NS35 DIN rail

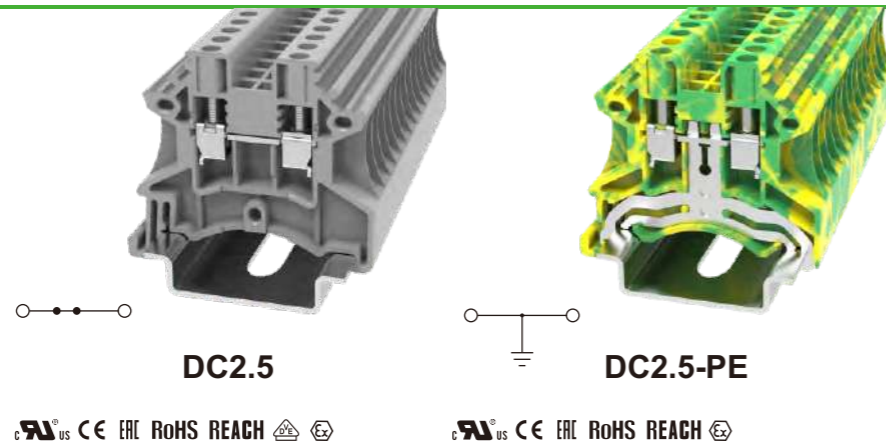
Circuit diagram



DC Series

Screw connection technology 1

Feed-through, multi-conductor, multi-level, and ground terminal blocks



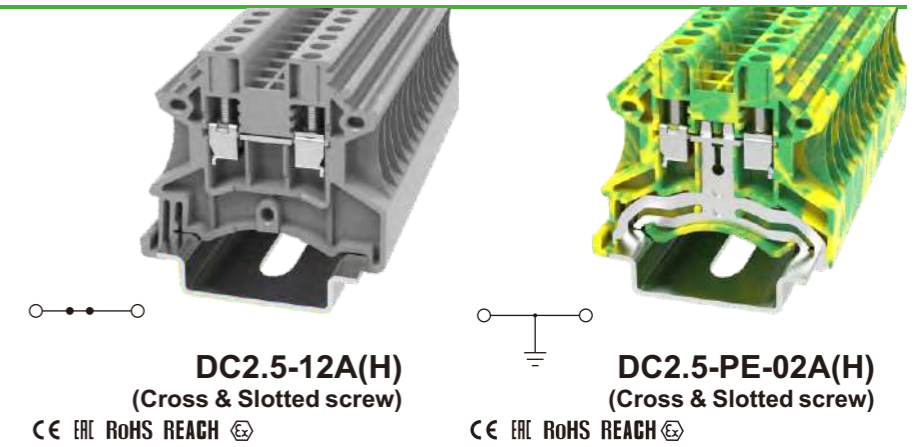
UL US CE ENEC RoHS REACH

UL US CE ENEC RoHS REACH

Order NO.	11020000018	11020000028
Width/Length/Height(NS35/7.5&NS35/15) mm	5.1/42.3/41.5(49)	5.1/42.3/41.5(49)
Electrical Data	IEC IEC60947-7-1 UL UL1059	IEC IEC60947-7-2 UL UL1059
Rated voltage V	800 600	/ /
Rated current A	24 25	/ /
Rated cross section mm ² /AWG	0.2-4 26-12	0.2-4 26-12
Connection capacity	Solid Stranded Ferrule (with and without plastic sleeve)	Solid Stranded Ferrule (with and without plastic sleeve)
1 conductor mm ²	0.2-4 0.2-2.5 0.2-2.5 0.5-1.5	0.2-4 0.2-2.5 0.2-2.5 0.5-1.5
2 flexible conductors with a TWIN ferrule mm ²	- - - 0.5-1	- - - 0.5-1
General Information		
Insulation material/Flammability rating (according to UL 94)	PA/V0	PA/V0
Operation temperatures °C (°F)	-40(-40)~105(221)	-40(-40)~105(221)
Stripping length mm	8-9	8-9
Color	Grey, Red, Blue (please contact sales for other color requirements)	Yellow green mixed color
Screw/Rated torque -/N.m(lb.in)(kgf.cm)	M2.5/0.4 (3.6) (4.08)	M2.5/0.4 (3.6) (4.08)
Accessories		
Ferrule	/	/
Slotted screwdriver size (Blade thickness x Width) mm	0.6x3.5	0.6x3.5
Screw	Slotted screw	Slotted screw
Bridge (2-10P 20P)	DFAXX-5.2	/
End cover	D-DC2.5	D-DC2.5
Partition plate	ATP-DS / ATP-PC N	ATP-DS / ATP-PC N
Cover profile	AP3-COVER / AP3-T / AP3-T-KS	AP3-COVER / AP3-T / AP3-T-KS
Marker	ZB5 / ZS5	ZB5 / ZS5
Marker support	/	/
Terminal strip marker support	DLM2 / KLM3-20x8 / KLM3-44x8	DLM2 / KLM3-20x8 / KLM3-44x8
End clamp	E-PC 1100A / E-WS N	E-PC 1100A / E-WS N
End cap	NS35/7.5-CAP NS35/15-CAP	NS35/7.5-CAP NS35/15-CAP

Screw connection technology 1

Feed-through, multi-conductor, multi-level, and ground terminal blocks



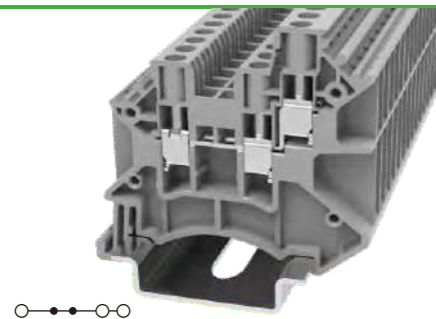
UL US CE ENEC RoHS REACH

UL US CE ENEC RoHS REACH

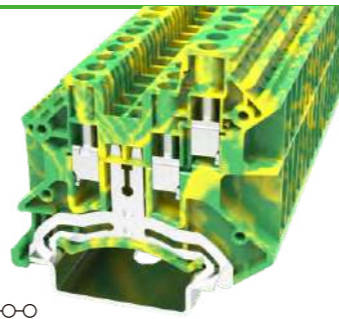
Order NO.	11020000058	11020000221
Width/Length/Height(NS35/7.5&NS35/15) mm	5.1/42.3/41.5(49)	5.1/42.3/41.5(49)
Electrical Data	IEC IEC60947-7-1 UL UL1059	IEC IEC60947-7-2 UL UL1059
Rated voltage V	800 600	/ /
Rated current A	24 25	/ /
Rated cross section mm ² /AWG	0.2-4 26-12	0.2-4 26-12
Connection capacity	Solid Stranded Ferrule (with and without plastic sleeve)	Solid Stranded Ferrule (with and without plastic sleeve)
1 conductor mm ²	0.2-4 0.2-2.5 0.2-2.5 0.2-2.5	0.2-4 0.2-2.5 0.2-2.5 0.2-2.5
2 flexible conductors with a TWIN ferrule mm ²	- - - 0.5-1.5	- - - 0.5-1.5
General Information		
Insulation material/Flammability rating (according to UL 94)	PA/V0	PA/V0
Operation temperatures °C (°F)	-40(-40)~105(221)	-40(-40)~105(221)
Stripping length mm	8-9	8-9
Color	Grey, Red, Blue (please contact sales for other color requirements)	Yellow green mixed color
Screw/Rated torque -/N.m(lb.in)(kgf.cm)	M2.5/0.4 (3.6) (4.08)	M2.5/0.4 (3.6) (4.08)
Accessories		
Ferrule	/	/
Cross & Slotted Screwdriver specification (Thickness x Width) mm	0.6x3.5	0.6x3.5
Screw	Cross & Slotted screw	Cross & Slotted screw
Bridge (2-10P 20P)	DFAXX-5.2	/
End cover	D-DC2.5	D-DC2.5
Partition plate	ATP-DS / ATP-PC N	ATP-DS / ATP-PC N
Cover profile	AP3-COVER / AP3-T / AP3-T-KS	AP3-COVER / AP3-T / AP3-T-KS
Marker	ZB5 / ZS5	ZB5 / ZS5
Marker support	/	/
Terminal strip marker support	DLM2 / KLM3-20x8 / KLM3-44x8	DLM2 / KLM3-20x8 / KLM3-44x8
End clamp	E-PC 1100A / E-WS N	E-PC 1100A / E-WS N
End cap	NS35/7.5-CAP NS35/15-CAP	NS35/7.5-CAP NS35/15-CAP

Screw connection technology 1

Feed-through, multi-conductor, multi-level, and ground terminal blocks


DC2.5-TW

CE ENEC RoHS REACH

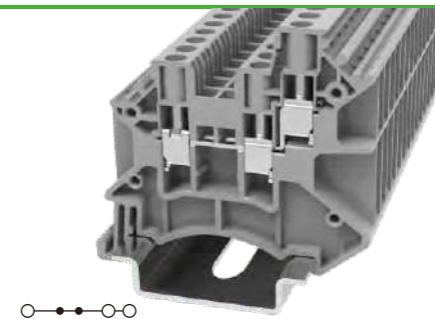

DC2.5-TW-PE

CE ENEC RoHS REACH

Order NO.	11020000067				11020000239			
Width/Length/Height(NS35/7.5&NS35/15)	mm 5.1/50.9/49.2(56.7)				mm 5.1/50.9/49.2(56.7)			
Electrical Data	IEC IEC60947-7-1		UL UL1059		IEC IEC60947-7-2		UL UL1059	
Rated voltage	V 1000		600		/		/	
Rated current	A 24		20		/		/	
Rated cross section	mm ² /AWG 0.2-4		26-12		0.2-4		26-12	
Connection capacity	Solid	Stranded	Ferrule (with and without plastic sleeve)		Solid	Stranded	Ferrule (with and without plastic sleeve)	
1 conductor	mm ² 0.2-4	0.2-2.5	0.2-2.5	0.5-2.5	0.2-4	0.2-2.5	0.2-2.5	0.2-2.5
2 flexible conductors with a TWIN ferrule	mm ² -	-	-	0.5-1	-	-	-	0.5-1
General Information								
Insulation material/Flammability rating (according to UL 94)	PA/V0				PA/V0			
Operation temperatures	°C (°F) -40(-40)~105(221)				-40(-40)~105(221)			
Stripping length	mm 10-11				10-11			
Color	Grey, Red, Blue (please contact sales for other color requirements)				Yellow green mixed color			
Screw/Rated torque	-N.m(lb.in)(kgf.cm) M2.5/0.4 (3.6)(4.08)				M2.5/0.4 (3.6)(4.08)			
Accessories								
Ferrule	/				/			
Slotted screwdriver size (Blade thickness x Width)	mm 0.6x3.5				0.6x3.5			
Screw	Slotted screw				Slotted screw			
Bridge (2-10P 20P)	DFAXX-5.2				/			
End cover	D-DC2.5-TW				D-DC2.5-TW			
Partition plate	ATP-DS / ATP-PC N				ATP-DS / ATP-PC N			
Cover profile	AP3-COVER / AP3-T / AP3-T-KS				AP3-COVER / AP3-T / AP3-T-KS			
Marker	ZB5 / ZS5				ZB5 / ZS5			
Marker support	/				/			
Terminal strip marker support	DLM2 / KLM3-20x8 / KLM3-44x8				DLM2 / KLM3-20x8 / KLM3-44x8			
End clamp	E-PC 1100A / E-WS N				E-PC 1100A / E-WS N			
End cap	NS35/7.5-CAP NS35/15-CAP				NS35/7.5-CAP NS35/15-CAP			

Screw connection technology 1

Feed-through, multi-conductor, multi-level, and ground terminal blocks

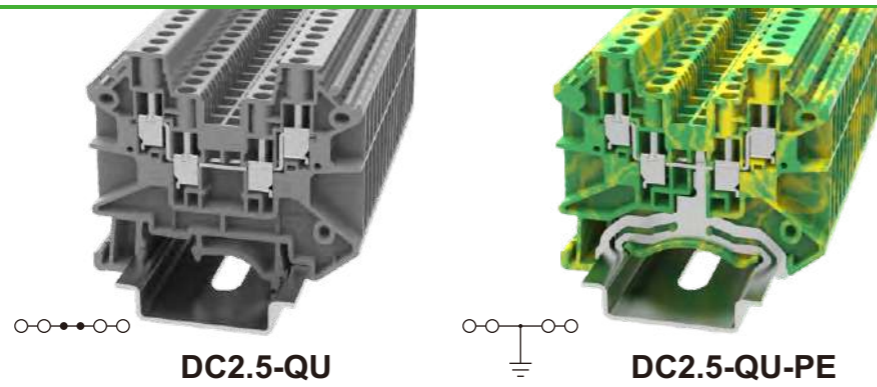

**DC2.5-TW-02A(H)
(Cross & Slotted screw)**

CE ENEC RoHS REACH

Order NO.	11020000222			
Width/Length/Height(NS35/7.5&NS35/15)	mm 5.1/50.9/49.2(56.7)			
Electrical Data	IEC IEC60947-7-1		UL UL1059	
Rated voltage	V 1000		600	
Rated current	A 24		20	
Rated cross section	mm ² /AWG 0.2-4		26-12	
Connection capacity	Solid	Stranded	Ferrule (with and without plastic sleeve)	
1 conductor	mm ² 0.2-4	0.2-2.5	0.2-2.5	0.2-2.5
2 flexible conductors with a TWIN ferrule	mm ² -	-	-	0.5-1
General Information				
Insulation material/Flammability rating (according to UL 94)	PA/V0			
Operation temperatures	°C (°F) -40(-40)~105(221)			
Stripping length	mm 10-11			
Color	Grey, Red, Blue (please contact sales for other color requirements)			
Screw/Rated torque	-N.m(lb.in)(kgf.cm) M2.5/0.4 (3.6)(4.08)			
Accessories				
Ferrule	/			
Cross & Slotted Screwdriver specification (Thickness x Width)	mm 0.6x3.5			
Screw	Cross & Slotted screw			
Bridge (2-10P 20P)	DFAXX-5.2			
End cover	D-DC2.5-TW			
Partition plate	ATP-DS / ATP-PC N			
Cover profile	AP3-COVER / AP3-T / AP3-T-KS			
Marker	ZB5 / ZS5			
Marker support	/			
Terminal strip marker support	DLM2 / KLM3-20x8 / KLM3-44x8			
End clamp	E-PC 1100A / E-WS N			
End cap	NS35/7.5-CAP NS35/15-CAP			

Screw connection technology 1

Feed-through, multi-conductor, multi-level, and ground terminal blocks



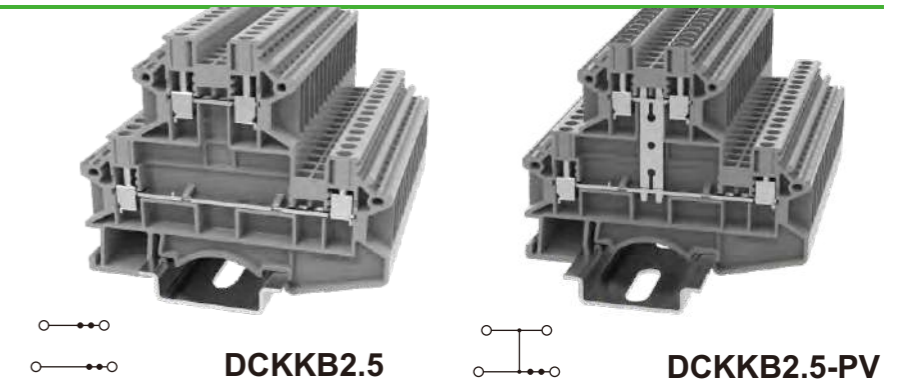
CE ERG RoHS REACH

CE ERG RoHS REACH

Order NO.	11020000214				11020000215			
Width/Length/Height(NS35/7.5&NS35/15)	mm 5.1/54.4/49.2 (56.7)				mm 5.1/54.4/49.2 (56.7)			
Electrical Data	IEC IEC60947-7-1		UL UL1059		IEC IEC60947-7-2		UL UL1059	
Rated voltage	V 500		300		/		/	
Rated current	A 24		20		/		/	
Rated cross section	mm ² /AWG 0.2-4		24-12		0.2-4		24-12	
Connection capacity	Solid	Stranded	Ferrule (with and without plastic sleeve)		Solid	Stranded	Ferrule (with and without plastic sleeve)	
1 conductor	mm ² 0.2-4	0.2-2.5	0.2-2.5	0.2-2.5	0.2-4	0.2-2.5	0.2-2.5	0.2-2.5
2 flexible conductors with a TWIN ferrule	mm ² -	-	-	0.5-1	-	-	-	0.5-1
General Information								
Insulation material/Flammability rating (according to UL 94)	PA/V0				PA/V0			
Operation temperatures	°C (°F) -40(-40)~105(221)				-40(-40)~105(221)			
Stripping length	mm 8-10				8-10			
Color	Grey, Red, Blue (please contact sales for other color requirements)				Yellow green mixed color			
Screw/Rated torque	-/N.m(lb.in)(kgf.cm) M2.5/0.4(3.54)(4.08)				M2.5/0.4(3.54)(4.08)			
Accessories								
Ferrule	/				/			
Cross & Slotted Screwdriver specification (Thickness x Width)	mm 0.6x3.5				0.6x3.5			
Screw	Cross & Slotted screw				Cross & Slotted screw			
Bridge (2-10P 20P)	DFAXX-5.2				DFAXX-5.2			
End cover	D-DC4-QU				D-DC4-QU			
Partition plate	ATP-DS / ATP-PC N				ATP-DS / ATP-PC N			
Cover profile	AP3-COVER / AP3-T / AP3-T-KS				AP3-COVER / AP3-T / AP3-T-KS			
Marker	ZB5 / ZS5				ZB5 / ZS5			
Marker support	/				/			
Terminal strip marker support	DLM2 / KLM3-20x8 / KLM3-44x8				DLM2 / KLM3-20x8 / KLM3-44x8			
End clamp	E-PC 1100A / E-WS N				E-PC 1100A / E-WS N			
End cap	NS35/7.5-CAP NS35/15-CAP				NS35/7.5-CAP NS35/15-CAP			

Screw connection technology 1

Feed-through, multi-conductor, multi-level, and ground terminal blocks



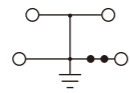
CE ERG RoHS REACH

CE ERG RoHS REACH

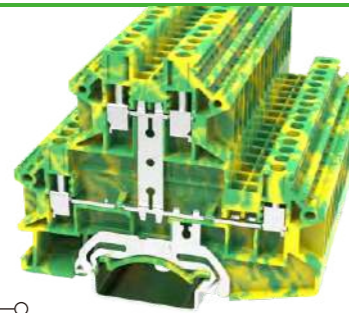
Order NO.	11020000073				11020000075			
Width/Length/Height(NS35/7.5&NS35/15)	mm 5.1/76/63(70.5)				mm 5.1/76/63(70.5)			
Electrical Data	IEC IEC60947-7-1		UL UL1059		IEC IEC60947-7-1		UL UL1059	
Rated voltage	V 500		300		500		300	
Rated current	A 24		20		24		20	
Rated cross section	mm ² /AWG 0.5-4		26-12		0.5-4		26-12	
Connection capacity	Solid	Stranded	Ferrule (with and without plastic sleeve)		Solid	Stranded	Ferrule (with and without plastic sleeve)	
1 conductor	mm ² 0.5-4	0.5-2.5	0.5-2.5	0.5-2.5	0.5-4	0.5-2.5	0.5-2.5	0.5-2.5
2 flexible conductors with a TWIN ferrule	mm ² -	-	-	0.5-1	-	-	-	0.5-1
General Information								
Insulation material/Flammability rating (according to UL 94)	PA/V0				PA/V0			
Operation temperatures	°C (°F) -40(-40)~105(221)				-40(-40)~105(221)			
Stripping length	mm 8-10				8-10			
Color	Grey, Red, Blue (please contact sales for other color requirements)				Grey, Red, Blue (please contact sales for other color requirements)			
Screw/Rated torque	-/N.m(lb.in)(kgf.cm) M2.5/0.4 (3.6) (4.08)				M2.5/0.4 (3.6) (4.08)			
Accessories								
Ferrule	/				/			
Slotted screwdriver size (Blade thickness x Width)	mm 0.6x3.5				0.6x3.5			
Screw	Slotted screw				Slotted screw			
Bridge (2-10P 20P)	DFAXX-5.2				DFAXX-5.2			
End cover	D-DCKKB2.5				D-DCKKB2.5			
Partition plate	ATP-DS / ATP-PC N				ATP-DS / ATP-PC N			
Cover profile	AP3-COVER / AP3-T / AP3-T-KS				AP3-COVER / AP3-T / AP3-T-KS			
Marker	ZB5 / ZS5				ZB5 / ZS5			
Marker support	/				/			
Terminal strip marker support	DLM2 / KLM3-20x8 / KLM3-44x8				DLM2 / KLM3-20x8 / KLM3-44x8			
End clamp	E-PC 1100A / E-WS N				E-PC 1100A / E-WS N			
End cap	NS35/7.5-CAP NS35/15-CAP				NS35/7.5-CAP NS35/15-CAP			

Screw connection technology 1

Feed-through, multi-conductor, multi-level, and ground terminal blocks


DCKKB2.5-PE

CE ENEC RoHS REACH



Order NO.	11020000069			
Width/Length/Height(NS35/7.5&NS35/15) mm	5.1/76/63(70.5)			
Electrical Data	IEC IEC60947-7-2	UL UL1059		
Rated voltage V	/	/		
Rated current A	/	/		
Rated cross section mm ² /AWG	0.5-4	26-12		
Connection capacity	Solid	Stranded	Ferrule (with and without plastic sleeve)	
1 conductor mm ²	0.5-4	0.5-2.5	0.5-2.5	0.5-2.5
2 flexible conductors with a TWIN ferrule mm ²	—	—	—	0.5-1
General Information				
Insulation material/Flammability rating (according to UL 94)	PA/V0			
Operation temperatures °C (°F)	-40(-40)~105(221)			
Stripping length mm	8-10			
Color	Yellow green mixed color			
Screw/Rated torque -/N.m(lb.in)(kgf.cm)	M2.5/0.4 (3.6) (4.08)			
Accessories				
Ferrule	/			
Slotted screwdriver size (Blade thickness x Width) mm	0.6x3.5			
Screw	Slotted screw			
Bridge (2-10P 20P)	DFAXX-5.2			
End cover	D-DCKKB2.5			
Partition plate	ATP-DS / ATP-PC N			
Cover profile	AP3-COVER / AP3-T / AP3-T-KS			
Marker	ZB5 / ZS5			
Marker support	/			
Terminal strip marker support	DLM2 / KLM3-20x8 / KLM3-44x8			
End clamp	E-PC 1100A / E-WS N			
End cap	NS35/7.5-CAP NS35/15-CAP			

Screw connection technology 1

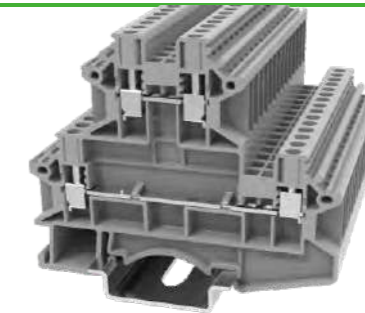
Feed-through, multi-conductor, multi-level, and ground terminal blocks


DCKKB2.5-02A(H)
(Cross & Slotted screw)

CE ENEC RoHS REACH


DCKKB2.5-PV-02A(H)
(Cross & Slotted screw)

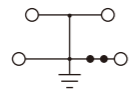
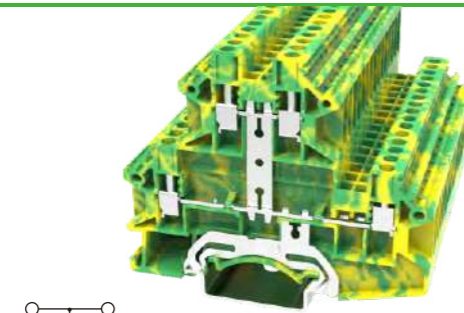
CE ENEC RoHS REACH



Order NO.	11020000074			11020000341				
Width/Length/Height(NS35/7.5&NS35/15) mm	5.1/76/63(70.5)			5.1/76/63(70.5)				
Electrical Data	IEC IEC60947-7-1	UL UL1059		IEC IEC60947-7-1	UL UL1059			
Rated voltage V	500	300		500	300			
Rated current A	24	20		24	20			
Rated cross section mm ² /AWG	0.5-4	26-12		0.5-4	26-12			
Connection capacity	Solid	Stranded	Ferrule (with and without plastic sleeve)		Solid	Stranded	Ferrule (with and without plastic sleeve)	
1 conductor mm ²	0.5-4	0.5-2.5	0.5-2.5	0.5-2.5	0.5-4	0.5-2.5	0.5-2.5	0.5-2.5
2 flexible conductors with a TWIN ferrule mm ²	—	—	—	0.5-1	—	—	—	0.5-1
General Information								
Insulation material/Flammability rating (according to UL 94)	PA/V0			PA/V0				
Operation temperatures °C (°F)	-40(-40)~105(221)			-40(-40)~105(221)				
Stripping length mm	8-10			8-10				
Color	Grey, Red, Blue (please contact sales for other color requirements)			Grey, Red, Blue (please contact sales for other color requirements)				
Screw/Rated torque -/N.m(lb.in)(kgf.cm)	M2.5/0.4 (3.6) (4.08)			M2.5/0.4 (3.6) (4.08)				
Accessories								
Ferrule	/			/				
Cross & Slotted Screwdriver specification (Thickness x Width) mm	0.6x3.5			0.6x3.5				
Screw	Cross & Slotted screw			Cross & Slotted screw				
Bridge (2-10P 20P)	DFAXX-5.2			DFAXX-5.2				
End cover	D-DCKKB2.5			D-DCKKB2.5				
Partition plate	ATP-DS / ATP-PC N			ATP-DS / ATP-PC N				
Cover profile	AP3-COVER / AP3-T / AP3-T-KS			AP3-COVER / AP3-T / AP3-T-KS				
Marker	ZB5 / ZS5			ZB5 / ZS5				
Marker support	/			/				
Terminal strip marker support	DLM2 / KLM3-20x8 / KLM3-44x8			DLM2 / KLM3-20x8 / KLM3-44x8				
End clamp	E-PC 1100A / E-WS N			E-PC 1100A / E-WS N				
End cap	NS35/7.5-CAP NS35/15-CAP			NS35/7.5-CAP NS35/15-CAP				

Screw connection technology 1

Feed-through, multi-conductor, multi-level, and ground terminal blocks

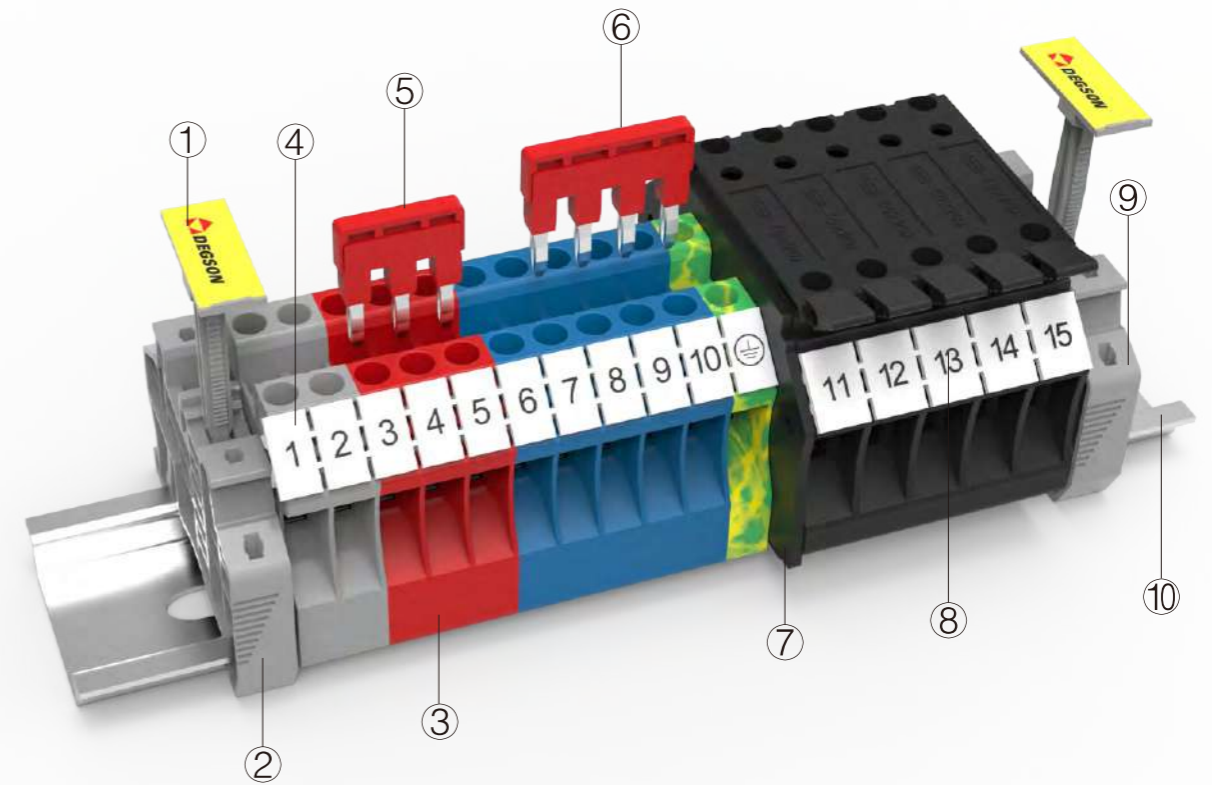


DCKKB2.5-PE-02A(H)
(Cross & Slotted screw)

CE ENEC RoHS REACH

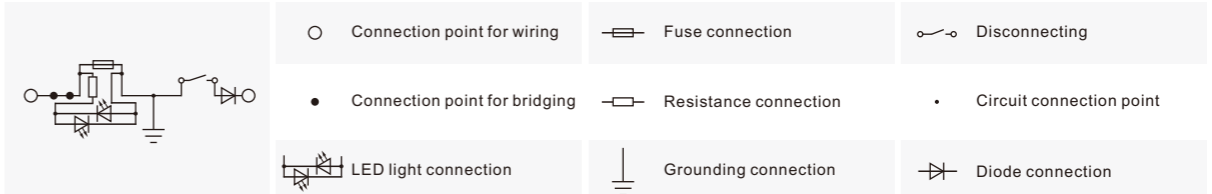
Order NO.	11020000194			
Width/Length/Height(NS35/7.5&NS35/15)	mm	5.1/76/63(70.5)		
Electrical Data		IEC	UL	
		IEC60947-7-2	UL1059	
Rated voltage	V	/	/	
Rated current	A	/	/	
Rated cross section	mm ² /AWG	0.5-4	26-12	
Connection capacity		Solid	Stranded	Ferrule (with and without plastic sleeve)
1 conductor	mm ²	0.5-4	0.5-2.5	0.5-2.5 0.5-2.5
2 flexible conductors with a TWIN ferrule	mm ²	—	—	— 0.5-1
General Information				
Insulation material/Flammability rating (according to UL 94)		PA/V0		
Operation temperatures	°C (°F)	-40(-40)~105(221)		
Stripping length	mm	8-10		
Color		Yellow green mixed color		
Screw/Rated torque	-/N.m(lb.in)/(kgf.cm)	M2.5/0.4 (3.6) (4.08)		

Accessories	
Ferrule	/
Cross & Slotted Screwdriver specification (Thickness x Width)	mm 0.6x3.5
Screw	Cross & Slotted screw
Bridge (2-10P 20P)	DFAXX-5.2
End cover	D-DCKKB2.5
Partition plate	ATP-DS / ATP-PC N
Cover profile	AP3-COVER / AP3-T / AP3-T-KS
Marker	ZB5 / ZS5
Marker support	/
Terminal strip marker support	DLM2 / KLM3-20x8 / KLM3-44x8
End clamp	E-PC 1100A / E-WS N
End cap	NS35/7.5-CAP NS35/15-CAP



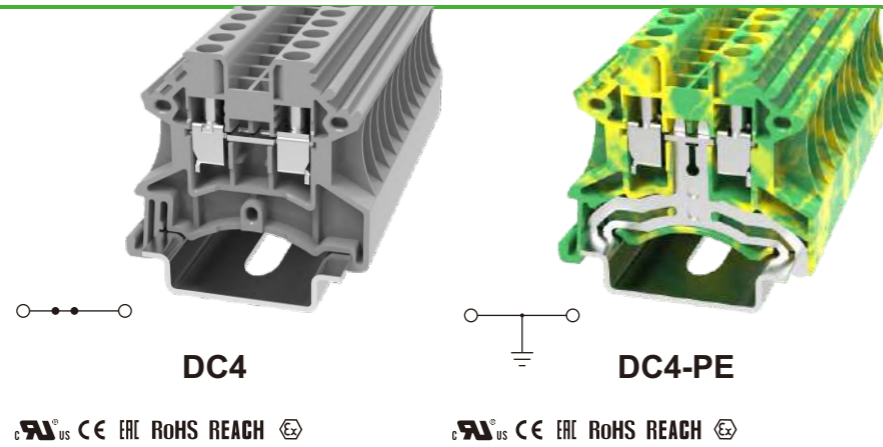
Description	Part No.	Remark
① Marker carrier	KLM3-20x8-11-00A(H)	Suitable for E-PC-1100A(H) & E-WS N
② End clamp	E-WS N-01P-11-00A(H)	Fixing products on NS35 DIN rail
③ Terminal blocks	DC2.5-01P-11-00A(H)	Steel cage locking type 4mm ² DIN Rail terminal blocks
④ Marker	ZB6-10P-19-00A(H)	Marker is used for the side of DC4 series
⑤ Plug-in bridge	DFA4-03P-11-00A(H)	03P bridge, use for DC4 series
⑥ Plug-in bridge	DFA2.5-04P-11-00A(H)	04P bridge, use for DC4 series
⑦ End cover	D-DC4-HE-01P-13-00A(H)	End cover is used for DC4-HE
⑧ Marker	ZB8-10P-19-00A(H)	Marker is used for the side of DC4-HE
⑨ End clamp	E-WS N-01P-11-00A(H)	Fixing products on NS35 DIN rail
⑩ DIN rail	NS35/7.5-0150-00A(H)	NS35 DIN rail

Circuit diagram



Screw connection technology 1

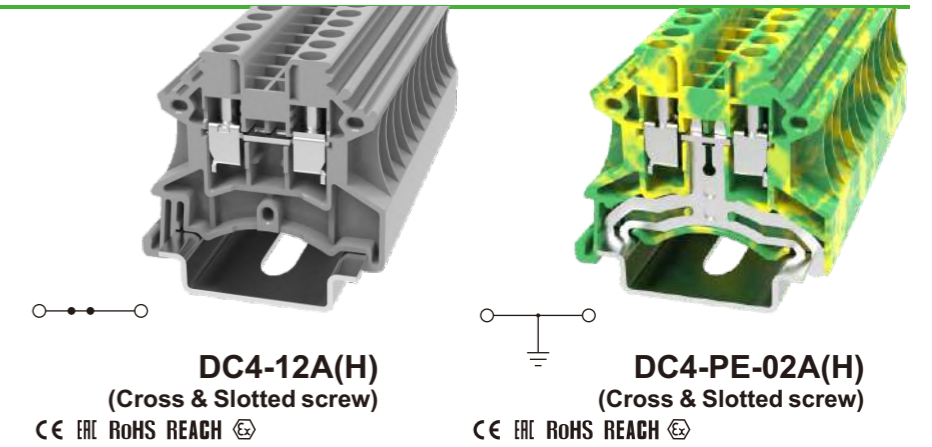
Feed-through and ground terminal blocks



Order NO.	11020000035				11020000046			
Width/Length/Height(NS35/7.5&NS35/15)	mm 6.1/42.3/41.9(49.4)				mm 6.1/42.3/41.9(49.4)			
Electrical Data	IEC IEC60947-7-1		UL UL1059		IEC IEC60947-7-2		UL UL1059	
Rated voltage	V 1000		600		/		/	
Rated current	A 32		30		/		/	
Rated cross section	mm ² /AWG 0.5-4		22-10		0.5-4		22-10	
Connection capacity	Solid	Stranded	Ferrule (with and without plastic sleeve)		Solid	Stranded	Ferrule (with and without plastic sleeve)	
1 conductor	mm ² 0.5-6	0.5-4	0.5-4	0.5-4	0.5-6	0.5-4	0.5-4	0.5-4
2 flexible conductors with a TWIN ferrule	mm ² -	-	-	0.5-1.5	-	-	-	0.5-1.5
General Information								
Insulation material/Flammability rating (according to UL 94)	PA/V0				PA/V0			
Operation temperatures	°C (°F) -40(-40)~105(221)				-40(-40)~105(221)			
Stripping length	mm 8-9				8-9			
Color	Grey, Red, Blue (please contact sales for other color requirements)				Yellow green mixed color			
Screw/Rated torque	-/N.m(lb.in)(kgf.cm) M3/0.5(4.5)(5.1)				M3/0.5(4.5)(5.1)			
Accessories								
Ferrule	/				/			
Slotted screwdriver size (Blade thickness x Width)	mm 0.6x3.5				0.6x3.5			
Screw	Slotted screw				Slotted screw			
Bridge (2-10P)	DFAXX-6.2				/			
End cover	D-DC2.5				D-DC2.5			
Partition plate	ATP-DS / ATP-PC N				ATP-DS / ATP-PC N			
Cover profile	AP3-COVER / AP3-T / AP3-T-KS				AP3-COVER / AP3-T / AP3-T-KS			
Marker	ZB6 / ZS6				ZB6 / ZS6			
Marker support	/				/			
Terminal strip marker support	DLM2 / KLM3-20x8 / KLM3-44x8				DLM2 / KLM3-20x8 / KLM3-44x8			
End clamp	E-PC 1100A / E-WS N				E-PC 1100A / E-WS N			
End cap	NS35/7.5-CAP / NS35/15-CAP				NS35/7.5-CAP / NS35/15-CAP			

Screw connection technology 1

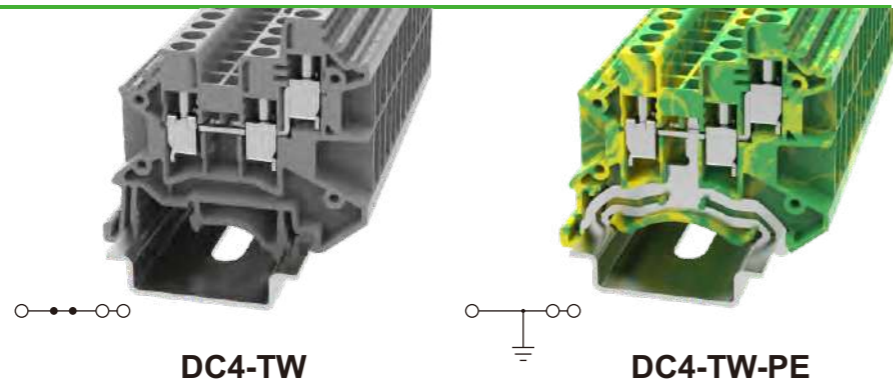
Feed-through and ground terminal blocks



Order NO.	11020000059				11020000220			
Width/Length/Height(NS35/7.5&NS35/15)	mm 6.1/42.3/41.9(49.4)				mm 6.1/42.3/41.9(49.4)			
Electrical Data	IEC IEC60947-7-1		UL UL1059		IEC IEC60947-7-2		UL UL1059	
Rated voltage	V 1000		600		/		/	
Rated current	A 32		30		/		/	
Rated cross section	mm ² /AWG 0.5-4		22-10		0.5-4		22-10	
Connection capacity	Solid	Stranded	Ferrule (with and without plastic sleeve)		Solid	Stranded	Ferrule (with and without plastic sleeve)	
1 conductor	mm ² 0.5-6	0.5-4	0.5-4	0.5-4	0.5-6	0.5-4	0.5-4	0.5-4
2 flexible conductors with a TWIN ferrule	mm ² -	-	-	0.5-1.5	-	-	-	0.5-1.5
General Information								
Insulation material/Flammability rating (according to UL 94)	PA/V0				PA/V0			
Operation temperatures	°C (°F) -40(-40)~105(221)				-40(-40)~105(221)			
Stripping length	mm 8-9				8-9			
Color	Grey, Red, Blue (please contact sales for other color requirements)				Yellow green mixed color			
Screw/Rated torque	-/N.m(lb.in)(kgf.cm) M3/0.5(4.5)(5.1)				M3/0.5(4.5)(5.1)			
Accessories								
Ferrule	/				/			
Cross & Slotted Screwdriver specification (Thickness x Width)	mm 0.6x3.5				0.6x3.5			
Screw	Cross & Slotted screw				Cross & Slotted screw			
Bridge (2-10P)	DFAXX-6.2				/			
End cover	D-DC2.5				D-DC2.5			
Partition plate	ATP-DS / ATP-PC N				ATP-DS / ATP-PC N			
Cover profile	AP3-COVER / AP3-T / AP3-T-KS				AP3-COVER / AP3-T / AP3-T-KS			
Marker	ZB6 / ZS6				ZB6 / ZS6			
Marker support	/				/			
Terminal strip marker support	DLM2 / KLM3-20x8 / KLM3-44x8				DLM2 / KLM3-20x8 / KLM3-44x8			
End clamp	E-PC 1100A / E-WS N				E-PC 1100A / E-WS N			
End cap	NS35/7.5-CAP / NS35/15-CAP				NS35/7.5-CAP / NS35/15-CAP			

Screw connection technology 1

Feed-through and ground terminal blocks



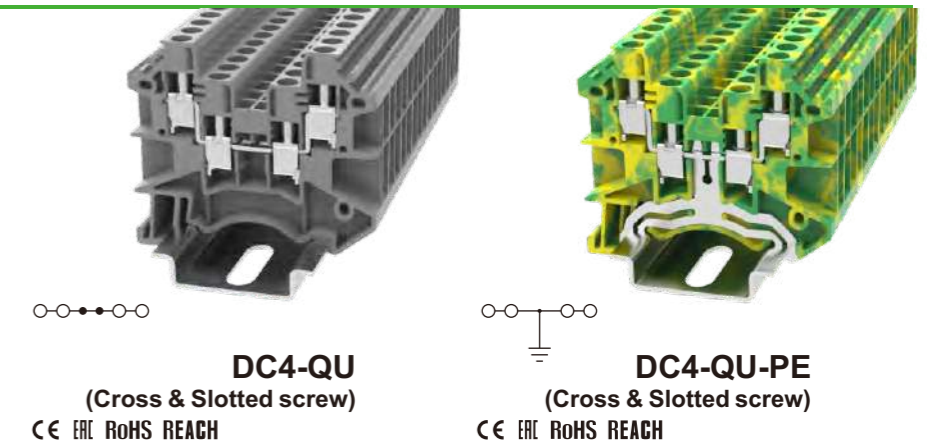
CE ERG RoHS REACH

CE ERG RoHS REACH

Order NO.	11020000229				11020000230			
Width/Length/Height(NS35/7.5&NS35/15)	mm 6.2/50.9/49.2 (56.7)				mm 6.2/50.9/49.2 (56.7)			
Electrical Data	IEC IEC60947-7-1		UL UL1059		IEC IEC60947-7-2		UL UL1059	
Rated voltage	V 500		300		/		/	
Rated current	A 32		30		/		/	
Rated cross section	mm ² /AWG 0.5-4		20-12		0.5-4		20-12	
Connection capacity	Solid	Stranded	Ferrule (with and without plastic sleeve)		Solid	Stranded	Ferrule (with and without plastic sleeve)	
1 conductor	mm ² 0.5-6	0.5-4	0.5-2.5	0.5-2.5	0.5-6	0.5-4	0.5-2.5	0.5-2.5
2 flexible conductors with a TWIN ferrule	mm ² -	-	-	0.5-2.5	-	-	-	0.5-2.5
General Information								
Insulation material/Flammability rating (according to UL 94)	PA/V0				PA/V0			
Operation temperatures	°C (°F) -40(-40)~105(221)				-40(-40)~105(221)			
Stripping length	mm 8-9				8-9			
Color	Grey, Red, Blue (please contact sales for other color requirements)				Yellow green mixed color			
Screw/Rated torque	-/N.m(lb.in)(kgf.cm) M3/0.6(6.0)(5.1)				M3/0.6(6.0)(5.1)			
Accessories								
Ferrule	/				/			
Cross & Slotted Screwdriver specification (Thickness x Width)	mm 0.6x3.5				0.6x3.5			
Screw	Cross & Slotted screw				Cross & Slotted screw			
Bridge (2-10P)	DFAXX-6.2				/			
End cover	D-DC2.5-TW				D-DC2.5-TW			
Partition plate	ATP-DS / ATP-PC N				ATP-DS / ATP-PC N			
Cover profile	AP3-COVER / AP3-T / AP3-T-KS				AP3-COVER / AP3-T / AP3-T-KS			
Marker	ZB6 / ZS6				ZB6 / ZS6			
Marker support	/				/			
Terminal strip marker support	DLM2 / KLM3-20x8 / KLM3-44x8				DLM2 / KLM3-20x8 / KLM3-44x8			
End clamp	E-PC 1100A / E-WS N				E-PC 1100A / E-WS N			
End cap	NS35/7.5-CAP / NS35/15-CAP				NS35/7.5-CAP / NS35/15-CAP			

Screw connection technology 1

Feed-through and ground terminal blocks



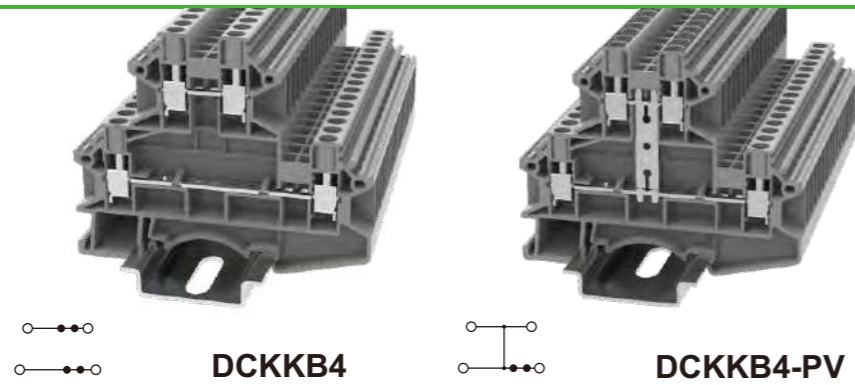
CE ERG RoHS REACH

CE ERG RoHS REACH

Order NO.	11020000188				11020000189			
Width/Length/Height(NS35/7.5&NS35/15)	mm 6.1/54.4/49.2(56.7)				mm 6.1/54.4/49.2(56.7)			
Electrical Data	IEC IEC60947-7-1		UL UL1059		IEC IEC60947-7-2		UL UL1059	
Rated voltage	V 500		300		/		/	
Rated current	A 32		30		/		/	
Rated cross section	mm ² /AWG 0.5-4		22-10		0.5-4		22-10	
Connection capacity	Solid	Stranded	Ferrule (with and without plastic sleeve)		Solid	Stranded	Ferrule (with and without plastic sleeve)	
1 conductor	mm ² 0.5-6	0.5-4	0.5-4	0.5-4	0.5-6	0.5-4	0.5-4	0.5-4
2 flexible conductors with a TWIN ferrule	mm ² -	-	-	0.5-1.5	-	-	-	0.5-1.5
General Information								
Insulation material/Flammability rating (according to UL 94)	PA/V0				PA/V0			
Operation temperatures	°C (°F) -40(-40)~105(221)				-40(-40)~105(221)			
Stripping length	mm 8-9				8-9			
Color	Grey, Red, Blue (please contact sales for other color requirements)				Yellow green mixed color			
Screw/Rated torque	-/N.m(lb.in)(kgf.cm) M3/0.6(6.0)(5.1)				M3/0.6(6.0)(5.1)			
Accessories								
Ferrule	/				/			
Cross & Slotted Screwdriver specification (Thickness x Width)	mm 0.6x3.5				0.6x3.5			
Screw	Cross & Slotted screw				Cross & Slotted screw			
Bridge (2-10P)	DFAXX-6.2				/			
End cover	D-DC4-QU				D-DC4-QU			
Partition plate	ATP-DS / ATP-PC N				ATP-DS / ATP-PC N			
Cover profile	AP3-COVER / AP3-T / AP3-T-KS				AP3-COVER / AP3-T / AP3-T-KS			
Marker	ZB6 / ZS6				ZB6 / ZS6			
Marker support	/				/			
Terminal strip marker support	DLM2 / KLM3-20x8 / KLM3-44x8				DLM2 / KLM3-20x8 / KLM3-44x8			
End clamp	E-PC 1100A / E-WS N				E-PC 1100A / E-WS N			
End cap	NS35/7.5-CAP / NS35/15-CAP				NS35/7.5-CAP / NS35/15-CAP			

Screw connection technology 1

Feed-through and ground terminal blocks



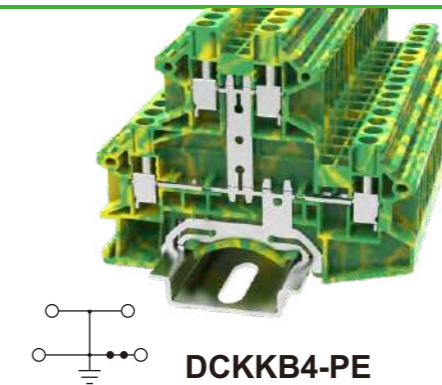
CE ERE RoHS REACH

CE ERE RoHS REACH

Order NO.	11020000126				11020000127			
Width/Length/Height(NS35/7.5&NS35/15)	mm 6.1/76/63(70.5)				mm 6.1/76/63(70.5)			
Electrical Data	IEC IEC60947-7-1		UL UL1059		IEC IEC60947-7-1		UL UL1059	
Rated voltage	V 800		V 300		V 800		V 300	
Rated current	A 32		A 30		A 32		A 30	
Rated cross section	mm ² /AWG 0.5-4		mm ² /AWG 22-10		mm ² /AWG 0.5-4		mm ² /AWG 22-10	
Connection capacity	Solid	Stranded	Ferrule (with and without plastic sleeve)		Solid	Stranded	Ferrule (with and without plastic sleeve)	
1 conductor	mm ² 0.5-6	mm ² 0.5-4	mm ² 0.5-4	mm ² 0.5-4	mm ² 0.5-6	mm ² 0.5-4	mm ² 0.5-4	mm ² 0.5-4
2 flexible conductors with a TWIN ferrule	mm ² -	mm ² -	mm ² -	mm ² 0.5-1.5	mm ² -	mm ² -	mm ² -	mm ² 0.5-1.5
General Information								
Insulation material/Flammability rating (according to UL 94)	PA/V0				PA/V0			
Operation temperatures	°C (°F) -40(-40)~105(221)				°C (°F) -40(-40)~105(221)			
Stripping length	mm 8-9				mm 8-9			
Color	Grey, Red, Blue (please contact sales for other color requirements)				Grey, Red, Blue (please contact sales for other color requirements)			
Screw/Rated torque	-/N.m(lb.in)(kgf.cm) M3/0.6(5.3)(6.1)				-/N.m(lb.in)(kgf.cm) M3/0.6(5.3)(6.1)			
Accessories								
Ferrule	/				/			
Slotted screwdriver size (Blade thickness x Width)	mm 0.6x3.5				mm 0.6x3.5			
Screw	Slotted screw				Slotted screw			
Bridge (2-10P)	DFAXX-6.2				DFAXX-6.2			
End cover	D-DCKKB2.5				D-DCKKB2.5			
Partition plate	ATP-DS / ATP-PC N				ATP-DS / ATP-PC N			
Cover profile	AP3-COVER / AP3-T / AP3-T-KS				AP3-COVER / AP3-T / AP3-T-KS			
Marker	ZB6 / ZS6				ZB6 / ZS6			
Marker support	/				/			
Terminal strip marker support	DLM2 / KLM3-20x8 / KLM3-44x8				DLM2 / KLM3-20x8 / KLM3-44x8			
End clamp	E-PC 1100A / E-WS N				E-PC 1100A / E-WS N			
End cap	NS35/7.5-CAP / NS35/15-CAP				NS35/7.5-CAP / NS35/15-CAP			

Screw connection technology 1

Feed-through and ground terminal blocks

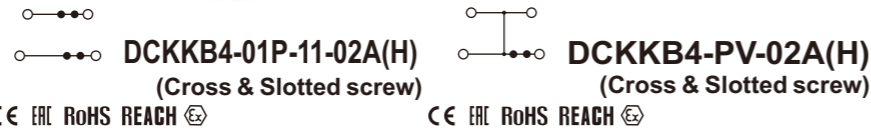
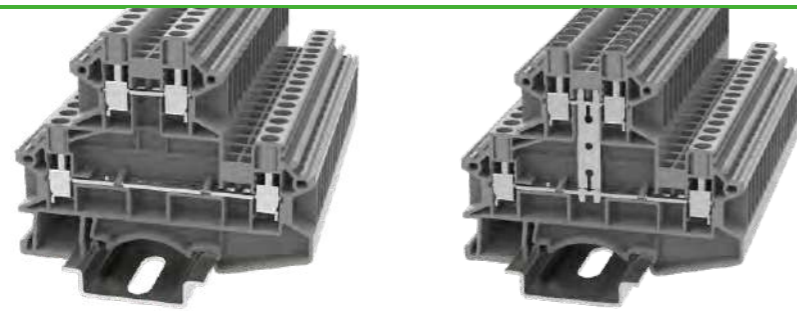


CE ERE RoHS REACH

Order NO.	11020000070			
Width/Length/Height(NS35/7.5&NS35/15)	mm 6.1/76/63(70.5)			
Electrical Data	IEC IEC60947-7-2		UL UL1059	
Rated voltage	V /		V /	
Rated current	A /		A /	
Rated cross section	mm ² /AWG 0.5-4		mm ² /AWG 22-10	
Connection capacity	Solid	Stranded	Ferrule (with and without plastic sleeve)	
1 conductor	mm ² 0.5-6	mm ² 0.5-4	mm ² 0.5-4	mm ² 0.5-4
2 flexible conductors with a TWIN ferrule	mm ² -	mm ² -	mm ² -	mm ² 0.5-1.5
General Information				
Insulation material/Flammability rating (according to UL 94)	PA/V0			
Operation temperatures	°C (°F) -40(-40)~105(221)			
Stripping length	mm 8-9			
Color	Yellow green mixed color			
Screw/Rated torque	-/N.m(lb.in)(kgf.cm) M3/0.6(5.3)(6.1)			
Accessories				
Ferrule	/			
Slotted screwdriver size (Blade thickness x Width)	mm 0.6x3.5			
Screw	Slotted screw			
Bridge (2-10P)	DFAXX-6.2			
End cover	D-DCKKB2.5			
Partition plate	ATP-DS / ATP-PC N			
Cover profile	AP3-COVER / AP3-T / AP3-T-KS			
Marker	ZB6 / ZS6			
Marker support	/			
Terminal strip marker support	DLM2 / KLM3-20x8 / KLM3-44x8			
End clamp	E-PC 1100A / E-WS N			
End cap	NS35/7.5-CAP / NS35/15-CAP			

Screw connection technology 1

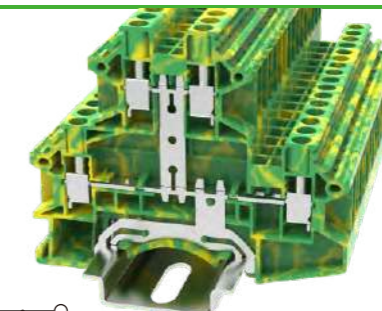
Feed-through and ground terminal blocks



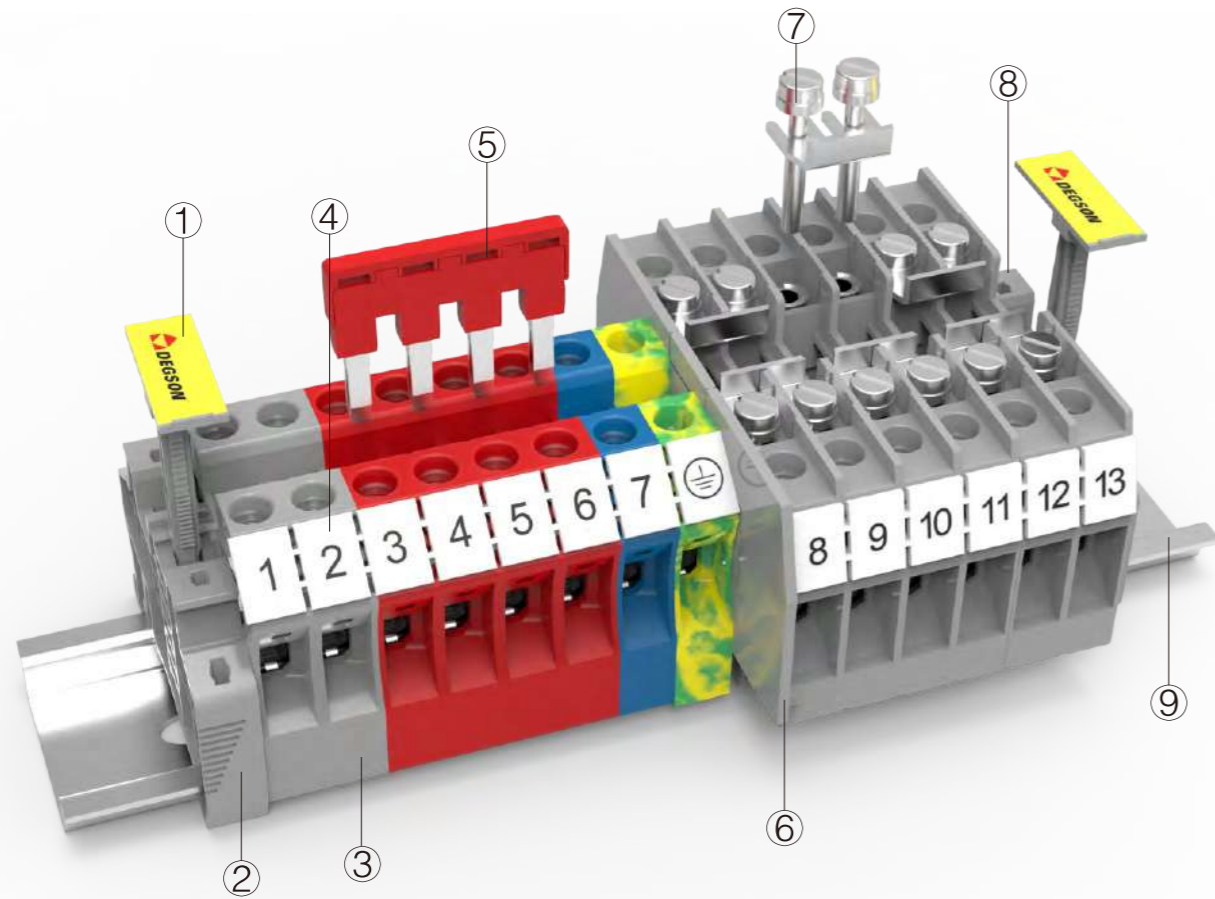
Order NO.	11020000191				11020000192			
Width/Length/Height(NS35/7.5&NS35/15)	mm 6.1/76/63(70.5)				mm 6.1/76/63(70.5)			
Electrical Data	IEC IEC60947-7-1		UL UL1059		IEC IEC60947-7-1		UL UL1059	
Rated voltage	V 800		300		V 800		300	
Rated current	A 32		30		A 32		30	
Rated cross section	mm ² /AWG 0.5-4		22-10		mm ² /AWG 0.5-4		22-10	
Connection capacity	Solid	Stranded	Ferrule (with and without plastic sleeve)		Solid	Stranded	Ferrule (with and without plastic sleeve)	
1 conductor	mm ² 0.5-6	0.5-4	0.5-4	0.5-4	mm ² 0.5-6	0.5-4	0.5-4	0.5-4
2 flexible conductors with a TWIN ferrule	mm ² -	-	-	0.5-1.5	mm ² -	-	-	0.5-1.5
General Information								
Insulation material/Flammability rating (according to UL 94)	PA/V0				PA/V0			
Operation temperatures	°C (°F) -40(-40)~105(221)				°C (°F) -40(-40)~105(221)			
Stripping length	mm 8-9				mm 8-9			
Color	Grey, Red, Blue (please contact sales for other color requirements)				Grey, Red, Blue (please contact sales for other color requirements)			
Screw/Rated torque	-/N.m(lb.in)(kgf.cm) M3/0.6(5.3)(6.1)				-/N.m(lb.in)(kgf.cm) M3/0.6(5.3)(6.1)			
Accessories								
Ferrule	/				/			
Cross & Slotted Screwdriver specification (Thickness x Width)	mm 0.6x3.5				mm 0.6x3.5			
Screw	Cross & Slotted screw				Cross & Slotted screw			
Bridge (2-10P)	DFAXX-6.2				DFAXX-6.2			
End cover	D-DCKKB2.5				D-DCKKB2.5			
Partition plate	ATP-DS / ATP-PC N				ATP-DS / ATP-PC N			
Cover profile	AP3-COVER / AP3-T / AP3-T-KS				AP3-COVER / AP3-T / AP3-T-KS			
Marker	ZB6 / ZS6				ZB6 / ZS6			
Marker support	/				/			
Terminal strip marker support	DLM2 / KLM3-20x8 / KLM3-44x8				DLM2 / KLM3-20x8 / KLM3-44x8			
End clamp	E-PC 1100A / E-WS N				E-PC 1100A / E-WS N			
End cap	NS35/7.5-CAP NS35/15-CAP				NS35/7.5-CAP NS35/15-CAP			

Screw connection technology 1

Feed-through and ground terminal blocks

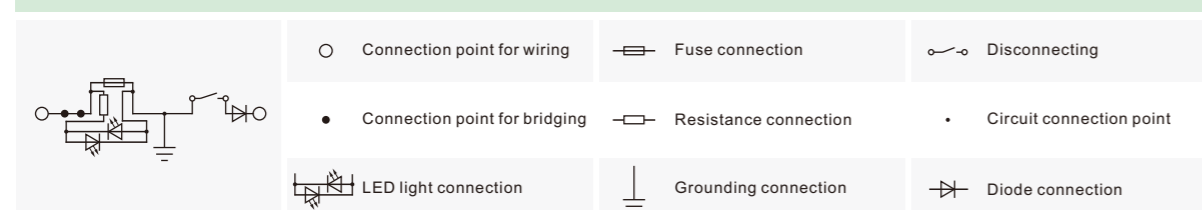


Order NO.	11020000193			
Width/Length/Height(NS35/7.5&NS35/15)	mm 6.1/76/63(70.5)			
Electrical Data	IEC IEC60947-7-2		UL UL1059	
Rated voltage	V /		/	
Rated current	A /		/	
Rated cross section	mm ² /AWG 0.5-4		22-10	
Connection capacity	Solid	Stranded	Ferrule (with and without plastic sleeve)	
1 conductor	mm ² 0.5-6	0.5-4	0.5-4	0.5-4
2 flexible conductors with a TWIN ferrule	mm ² -	-	-	0.5-1.5
General Information				
Insulation material/Flammability rating (according to UL 94)	PA/V0			
Operation temperatures	°C (°F) -40(-40)~105(221)			
Stripping length	mm 8-9			
Color	Yellow green mixed color			
Screw/Rated torque	-/N.m(lb.in)(kgf.cm) M3/0.6(5.3)(6.1)			
Accessories				
Ferrule	/			
Cross & Slotted Screwdriver specification (Thickness x Width)	mm 0.6x3.5			
Screw	Cross & Slotted screw			
Bridge (2-10P)	DFAXX-6.2			
End cover	D-DCKKB2.5			
Partition plate	ATP-DS / ATP-PC N			
Cover profile	AP3-COVER / AP3-T / AP3-T-KS			
Marker	ZB6 / ZS6			
Marker support	/			
Terminal strip marker support	DLM2 / KLM3-20x8 / KLM3-44x8			
End clamp	E-PC 1100A / E-WS N			
End cap	NS35/7.5-CAP NS35/15-CAP			



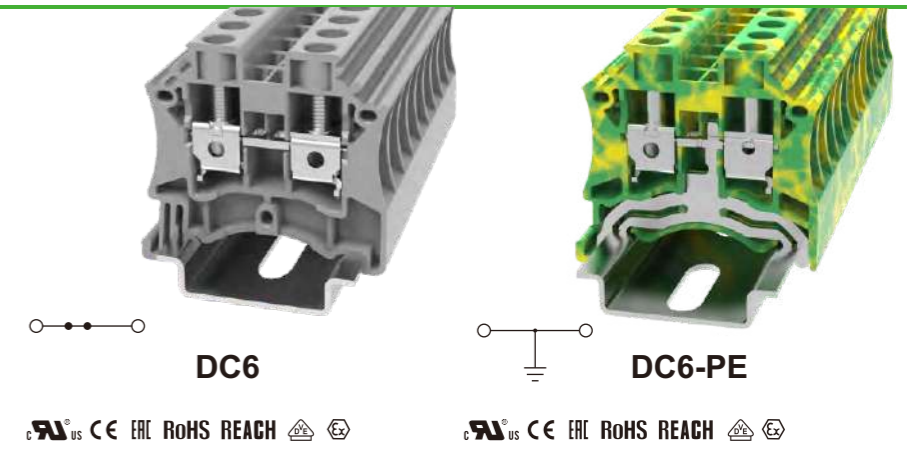
Description	Part No.	Remark
① Marker carrier	KLM3-20x8-11-00A(H)	Suitable for E-PC-1100A(H) & E-WS N
② End stopper	E-WS N-01P-11-00A(H)	Fixing products on NS35 DIN rail
③ Terminal blocks	DC6-01P-11-00A(H)	Steel cage locking type 6mm ² DIN Rail terminal blocks
④ Marker	ZB8-10P-19-00A(H)	Marker is used for the side of DC6 series
⑤ Plug-in bridge	DFA6-04P-11-00A(H)	04P bridge, use for DC6 series
⑥ End cover	D-DCTK6-01P-11-00A(H)	End cover is used for DCTK6
⑦ Fixed bridge	FBR16-RTK/S-02P-00A(H)	02P bridge, use for DCTK6
⑧ End stopper	E-WS N-01P-11-00A(H)	Fixing products on NS35 DIN rail
⑨ DIN rail	NS35/7.5-0150-00A(H)	NS35 DIN rail

Circuit diagram



Screw connection technology 1

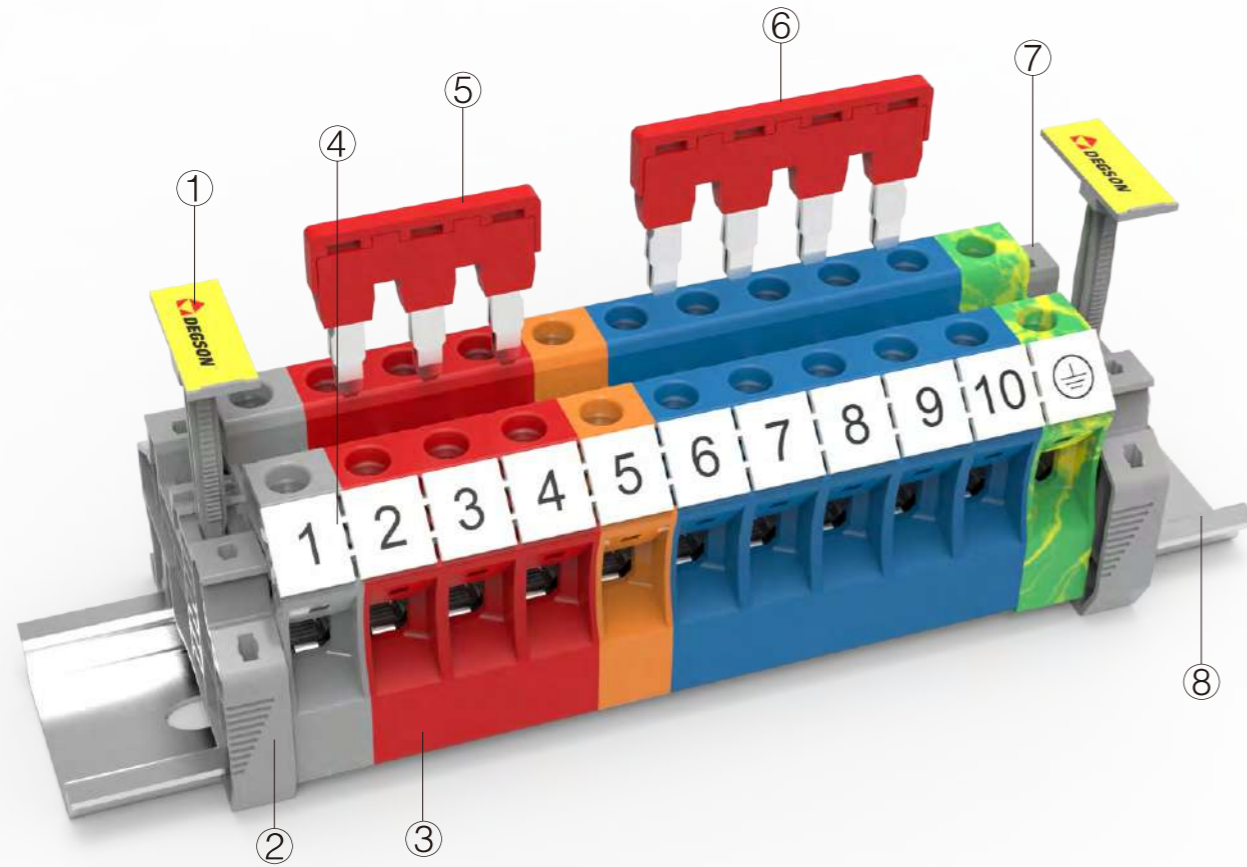
Feed-through and ground terminal blocks



Order NO.	1102000047	1102000196
Width/Length/Height(NS35/7.5&NS35/15) mm	8/44.95/43.5(51)	8/44.95/43.5(51)
Electrical Data	IEC IEC60947-7-1	UL UL1059
Rated voltage V	1000	600
Rated current A	41	50
Rated cross section mm ² /AWG	0.5-6	22-8
Connection capacity	Solid Stranded Ferrule (with and without plastic sleeve)	Solid Stranded Ferrule (with and without plastic sleeve)
1 conductor mm ²	0.5-6 0.5-6 0.5-4 0.5-4	0.5-6 0.5-6 0.5-4 0.5-4
2 flexible conductors with a TWIN ferrule mm ²	- - - 0.5-2.5	- - - 0.5-2.5

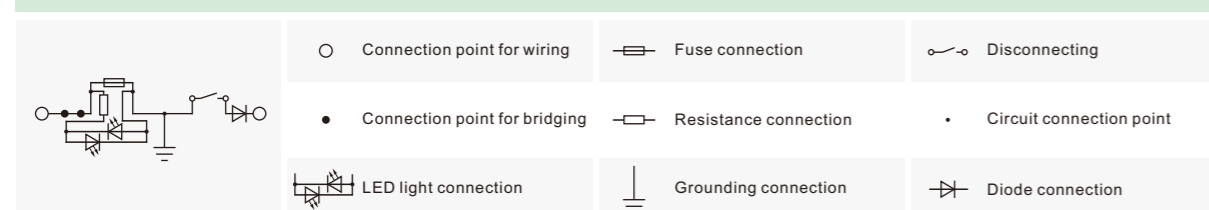
General Information		
Insulation material/Flammability rating (according to UL 94)	PA/V0	PA/V0
Operation temperatures °C (°F)	-40(-40)~105(221)	-40(-40)~105(221)
Stripping length mm	10-11	10-11
Color	Grey, Red, Blue (please contact sales for other color requirements)	Yellow green mixed color
Screw/Rated torque -/N.m(lb.in)(kgf.cm)	M4/1.2(10.6)(12.24)	M4/1.2(10.6)(12.24)

Accessories		
Ferrule	/	/
Slotted screwdriver size (Blade thickness x Width) mm	1x4	1x4
Screw	Slotted screw	Slotted screw
Bridge(2-10P)	DFAXX-8.2	/
End cover	D-DC6	D-DC6
Partition plate	ATP-DS / ATP-PC N	ATP-DS / ATP-PC N
Cover profile	AP3-COVER / AP3-T / AP3-T-KS	AP3-COVER / AP3-T / AP3-T-KS
Marker	ZB8 / ZS8	ZB8 / ZS8
Marker support	/	/
Terminal strip marker support	DLM2 / KLM3-20x8 / KLM3-44x8	DLM2 / KLM3-20x8 / KLM3-44x8
End clamp	E-PC 1100A / E-WS N	E-PC 1100A / E-WS N
End cap	NS35/7.5-CAP NS35/15-CAP	NS35/7.5-CAP NS35/15-CAP



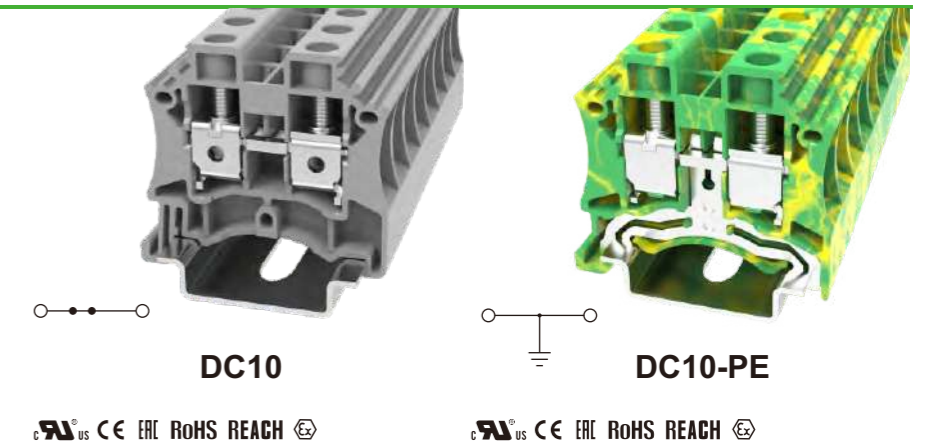
Description	Part No.	Remark
① Marker carrier	KLM3-20x8-11-00A(H)	Suitable for E-PC-1100A(H) & E-WS N
② End clamp	E-WS N-01P-11-00A(H)	Fixing products on NS35 DIN rail
③ Terminal blocks	DC6-01P-11-00A(H)	Steel cage locking type 10mm ² DIN Rail terminal blocks
④ Marker	ZB10-10P-19-00A(H)	Marker is used for the side of DC10 series
⑤ Plug-in bridge	DFA10-03P-11-00A(H)	03P bridge, use for DC10
⑥ Plug-in bridge	DFA10-04P-11-00A(H)	04P bridge, use for DC10
⑦ End clamp	E-WS N-01P-11-00A(H)	Fixing products on NS35 DIN rail
⑧ DIN rail	NS35/7.5-0150-00A(H)	NS35 DIN rail

Circuit diagram



Screw connection technology 1

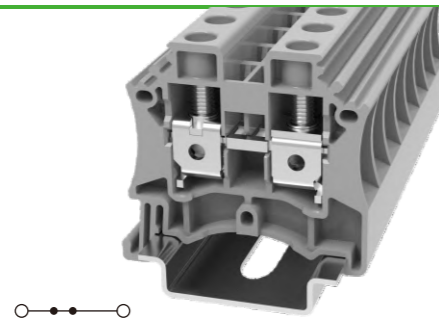
Feed-through and ground terminal blocks



Order NO.	1102000001	1102000011							
Width/Length/Height(NS35/7.5&NS35/15) mm	8/44.95/43.5(51)	8/44.95/43.5(51)							
Electrical Data	IEC IEC60947-7-1	UL UL1059	IEC IEC60947-7-2	UL UL1059					
Rated voltage	V	1000	600	/	/				
Rated current	A	57	65	/	/				
Rated cross section	mm ² /AWG	0.5-10	20-6	0.5-10	20-6				
Connection capacity		Solid	Stranded	Ferrule (with and without plastic sleeve)	Solid	Stranded	Ferrule (with and without plastic sleeve)		
1 conductor	mm ²	0.5-10	0.5-10	0.5-10	0.5-10	0.5-10	0.5-10		
2 flexible conductors with a TWIN ferrule	mm ²	-	-	-	0.5-4	-	-	-	0.5-4
General Information									
Insulation material/Flammability rating (according to UL 94)		PA/V0		PA/V0					
Operation temperatures	°C (°F)	-40(-40)~105(221)		-40(-40)~105(221)					
Stripping length	mm	10-12		10-12					
Color		Grey, Red, Blue (please contact sales for other color requirements)		Yellow green mixed color					
Screw/Rated torque	-/N.m(lb.in)/(kgf.cm)	M4/1.54(14)/(15.71)		M4/1.54(14)/(15.71)					
Accessories									
Ferrule		/		/					
Slotted screwdriver size (Blade thickness x Width)	mm	1x4		1x4					
Screw		Slotted screw		Slotted screw					
Bridge(2-10P)		DFAXX-10.2		/					
End cover		D-DC6		D-DC6					
Partition plate		ATP-DS / ATP-PC N		ATP-DS / ATP-PC N					
Cover profile		AP3-COVER / AP3-T / AP3-T-KS		AP3-COVER / AP3-T / AP3-T-KS					
Marker		ZB10 / ZS10		ZB10 / ZS10					
Marker support		/		/					
Terminal strip marker support		DLM2 / KLM3-20x8 / KLM3-44x8		DLM2 / KLM3-20x8 / KLM3-44x8					
End clamp		E-PC 1100A / E-WS N		E-PC 1100A / E-WS N					
End cap		NS35/7.5-CAP NS35/15-CAP		NS35/7.5-CAP NS35/15-CAP					

Screw connection technology 1

Feed-through and ground terminal blocks

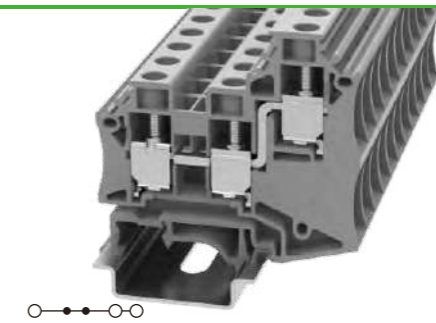


DC10-300A(H)
(Cross & Slotted screw)
UL CE ENEC RoHS REACH

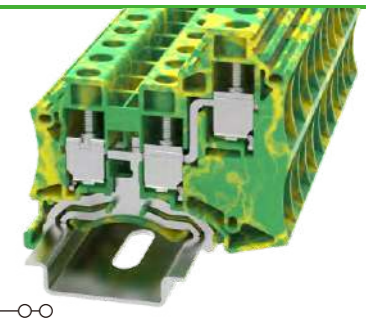
Order NO.	11020000182			
Width/Length/Height(NS35/7.5&NS35/15) mm	10.2/42.5/47.25(54.75)			
Electrical Data	IEC IEC60947-7-1	UL UL1059		
Rated voltage V	800	600		
Rated current A	57	30		
Rated cross section mm ² /AWG	0.5-10	20-6		
Connection capacity	Solid	Stranded	Ferrule (with and without plastic sleeve)	
1 conductor mm ²	0.5-10	0.5-10	0.5-10	0.5-10
2 flexible conductors with a TWIN ferrule mm ²	—	—	—	0.5-4
General Information				
Insulation material/Flammability rating (according to UL 94)	PA/V0			
Operation temperatures °C (°F)	-40(-40)~105(221)			
Stripping length mm	10-12			
Color	Grey, Red, Blue (please contact sales for other color requirements)			
Screw/Rated torque -/N.m(lb.in)(kgf.cm)	M4/1.2(10.5)(12.24)			
Accessories				
Ferrule	/			
Cross & Slotted Screwdriver specification (Thickness x Width) mm	1x4			
Screw	Cross & Slotted screw			
Bridge (2-10P)	DFAXX-10.2			
End cover	D-PC2.5			
Partition plate	ATP-DS / ATP-PC N			
Cover profile	AP3-COVER / AP3-T / AP3-T-KS			
Marker	ZB10 / ZS10			
Marker support	/			
Terminal strip marker support	DLM2 / KLM3-20x8 / KLM3-44x8			
End clamp	E-PC 1100A / E-WS N			
End cap	NS35/7.5-CAP NS35/15-CAP			

Screw connection technology 1

Feed-through and ground terminal blocks



DC10-TW



DC10-TW-PE

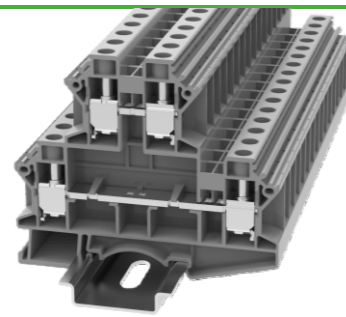
CE ENEC RoHS REACH

CE ENEC RoHS REACH

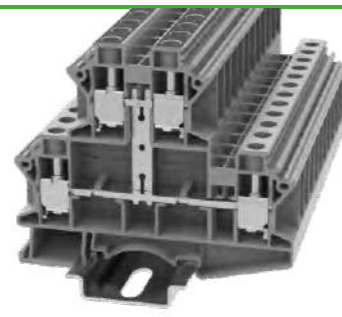
Order NO.	11020000206			11020000207				
Width/Length/Height(NS35/7.5&NS35/15) mm	10.2/58.7/55.5(63)			10.2/58.7/55.5(63)				
Electrical Data	IEC IEC60947-7-1	UL UL1059		IEC IEC60947-7-2	UL UL1059			
Rated voltage V	1000	600	/	/	/	/		
Rated current A	57	65	/	/	/	/		
Rated cross section mm ² /AWG	1.5-16	16-6	1.5-16	16-6	1.5-16	16-6		
Connection capacity	Solid	Stranded	Ferrule (with and without plastic sleeve)		Solid	Stranded	Ferrule (with and without plastic sleeve)	
1 conductor mm ²	0.5-16	0.5-10	0.5-10	0.5-10	0.5-16	0.5-10	0.5-10	0.5-10
2 flexible conductors with a TWIN ferrule mm ²	—	—	—	0.5-4	—	—	—	0.5-4
General Information								
Insulation material/Flammability rating (according to UL 94)	PA/V0			PA/V0				
Operation temperatures °C (°F)	-40(-40)~105(221)			-40(-40)~105(221)				
Stripping length mm	11-12			11-12				
Color	Grey, Red, Blue (please contact sales for other color requirements)			Yellow green mixed color				
Screw/Rated torque -/N.m(lb.in)(kgf.cm)	M4/1.54(14.0)(15.71)			M4/1.54(14.0)(15.71)				
Accessories								
Ferrule	/			/				
Cross & Slotted Screwdriver specification (Thickness x Width) mm	1x4			1x4				
Screw	Cross & Slotted screw			Cross & Slotted screw				
Bridge (2-10P)	DFAXX-10.2			DFAXX-10.2				
End cover	D-DC10-TW			D-DC10-TW				
Partition plate	ATP-DS / ATP-PC N			ATP-DS / ATP-PC N				
Cover profile	AP3-COVER / AP3-T / AP3-T-KS			AP3-COVER / AP3-T / AP3-T-KS				
Marker	ZB10 / ZS10			ZB10 / ZS10				
Marker support	/			/				
Terminal strip marker support	DLM2 / KLM3-20x8 / KLM3-44x8			DLM2 / KLM3-20x8 / KLM3-44x8				
End clamp	E-PC 1100A / E-WS N			E-PC 1100A / E-WS N				
End cap	NS35/7.5-CAP NS35/15-CAP			NS35/7.5-CAP NS35/15-CAP				

Screw connection technology 1

Feed-through and ground terminal blocks


DCKKB10

CE ERE RoHS REACH

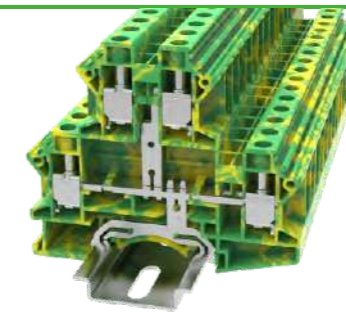

DCKKB10-PV

CE ERE RoHS REACH

Order NO.	11020000183				11020000184			
Width/Length/Height(NS35/7.5&NS35/15)	mm 10/83.9/72.5(80)				mm 10/83.9/72.5(80)			
Electrical Data	IEC IEC60947-7-1		UL UL1059		IEC IEC60947-7-1		UL UL1059	
Rated voltage	V 500		300		V 500		300	
Rated current	A 57		65		A 57		65	
Rated cross section	mm ² /AWG 0.5-10		20-6		mm ² /AWG 0.5-10		20-6	
Connection capacity	Solid	Stranded	Ferrule (with and without plastic sleeve)		Solid	Stranded	Ferrule (with and without plastic sleeve)	
1 conductor	mm ² 0.5-10	0.5-10	0.5-10	0.5-10	mm ² 0.5-10	0.5-10	0.5-10	0.5-10
2 flexible conductors with a TWIN ferrule	mm ² -	-	-	0.5-4	mm ² -	-	-	0.5-4
General Information								
Insulation material/Flammability rating (according to UL 94)	PA/V0				PA/V0			
Operation temperatures	°C (°F) -40(-40)~105(221)				°C (°F) -40(-40)~105(221)			
Stripping length	mm 10-11				mm 10-11			
Color	Grey, Red, Blue (please contact sales for other color requirements)				Yellow green mixed color			
Screw/Rated torque	-/N.m(lb.in)(kgf.cm) M4/1.54(14)(15.71)				-/N.m(lb.in)(kgf.cm) M4/1.54(14)(15.71)			
Accessories								
Ferrule	/				/			
Slotted screwdriver size (Blade thickness x Width)	mm 1x4				mm 1x4			
Screw	Slotted screw				Slotted screw			
Bridge (2-10P)	DFAXX-10.2				DFAXX-10.2			
End cover	D-DCKKB10				D-DCKKB10			
Partition plate	ATP-DS / ATP-PC N				ATP-DS / ATP-PC N			
Cover profile	AP3-COVER / AP3-T / AP3-T-KS				AP3-COVER / AP3-T / AP3-T-KS			
Marker	ZB10 / ZS10				ZB10 / ZS10			
Marker support	/				/			
Terminal strip marker support	DLM2 / KLM3-20x8 / KLM3-44x8				DLM2 / KLM3-20x8 / KLM3-44x8			
End clamp	E-PC 1100A / E-WS N				E-PC 1100A / E-WS N			
End cap	NS35/7.5-CAP NS35/15-CAP				NS35/7.5-CAP NS35/15-CAP			

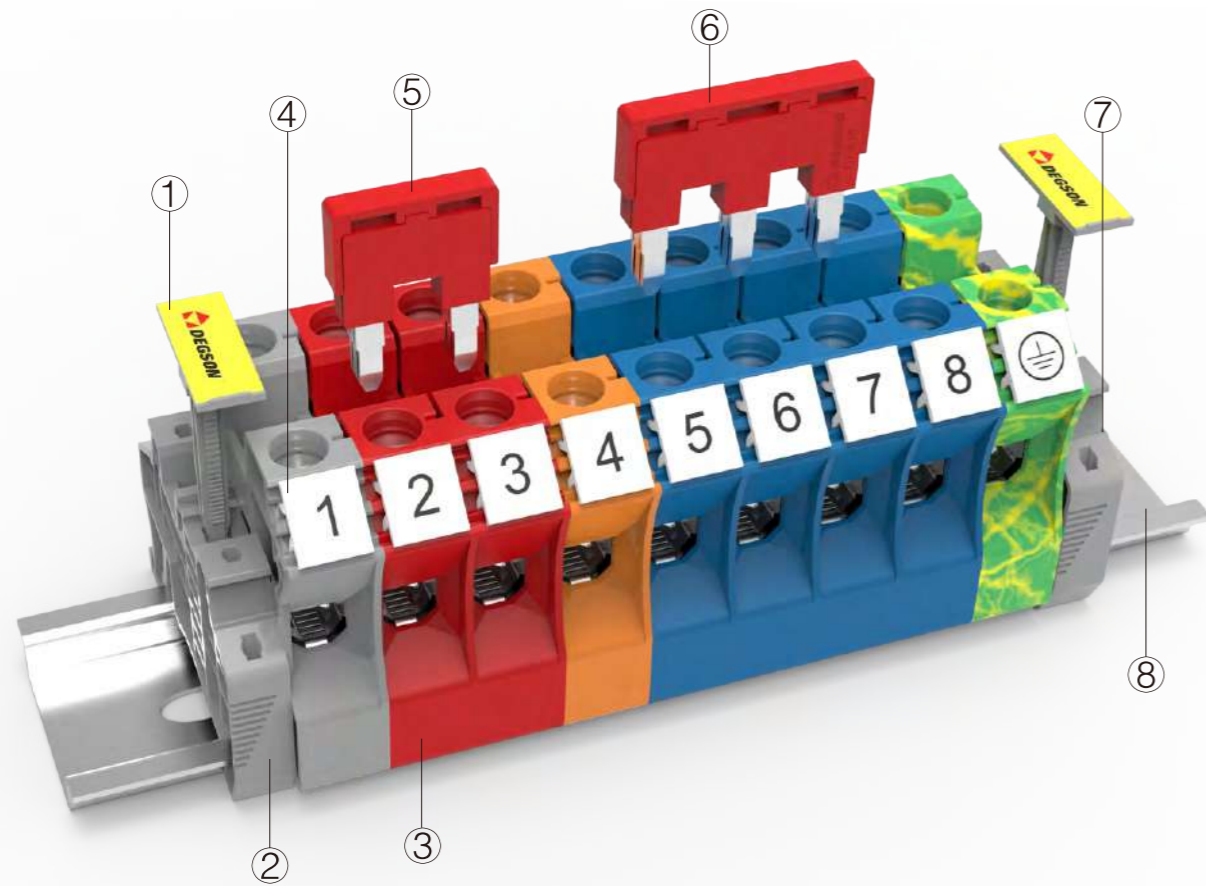
Screw connection technology 1

Feed-through and ground terminal blocks


DCKKB10-PE

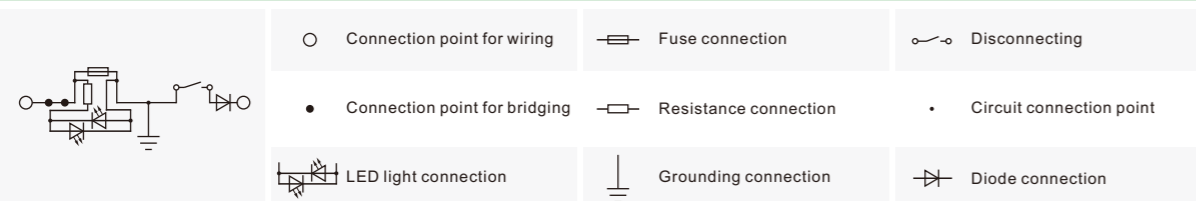
CE ERE RoHS REACH

Order NO.	11020000244			
Width/Length/Height(NS35/7.5&NS35/15)	mm 10/83.9/72.5(80)			
Electrical Data	IEC IEC60947-7-1		UL UL1059	
Rated voltage	V /		/	
Rated current	A /		/	
Rated cross section	mm ² /AWG 0.5-10		20-6	
Connection capacity	Solid	Stranded	Ferrule (with and without plastic sleeve)	
1 conductor	mm ² 0.5-10	0.5-10	0.5-10	0.5-10
2 flexible conductors with a TWIN ferrule	mm ² -	-	-	0.5-4
General Information				
Insulation material/Flammability rating (according to UL 94)	PA/V0			
Operation temperatures	°C (°F) -40(-40)~105(221)			
Stripping length	mm 10-11			
Color	Yellow green mixed color			
Screw/Rated torque	-/N.m(lb.in)(kgf.cm) M4/1.54(14)(15.71)			
Accessories				
Ferrule	/			
Slotted screwdriver size (Blade thickness x Width)	mm 1x4			
Screw	Slotted screw			
Bridge (2-10P)	DFAXX-10.2			
End cover	D-DCKKB10			
Partition plate	ATP-DS / ATP-PC N			
Cover profile	AP3-COVER / AP3-T / AP3-T-KS			
Marker	ZB10 / ZS10			
Marker support	/			
Terminal strip marker support	DLM2 / KLM3-20x8 / KLM3-44x8			
End clamp	E-PC 1100A / E-WS N			
End cap	NS35/7.5-CAP NS35/15-CAP			



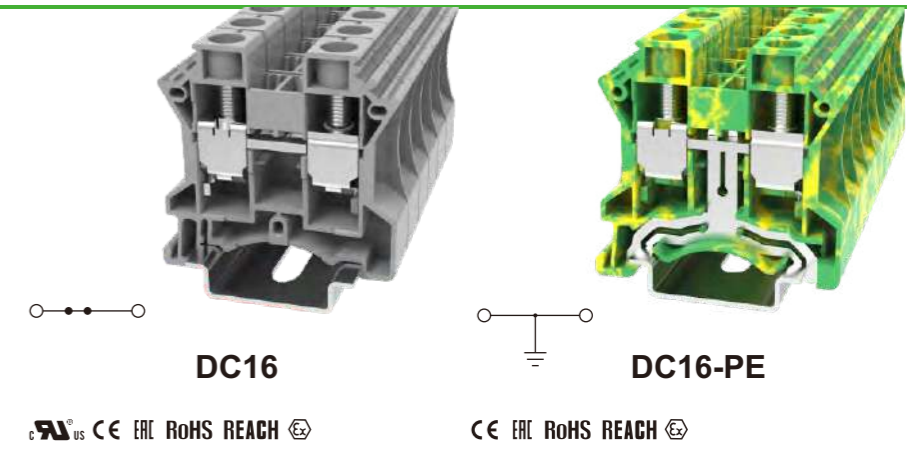
Description	Part No.	Remark
① Marker carrier	KLM3-20x8-11-00A(H)	Suitable for E-PC-1100A(H) & E-WS N
② End clamp	E-WS N-01P-11-00A(H)	Fixing products on NS35 DIN rail
③ Terminal blocks	DC16-01P-11-00A(H)	Steel cage locking type 16mm ² DIN Rail terminal blocks
④ Marker	ZT12-10P-19-00A(H)	Marker is used for the side of DC16 series
⑤ Plug-in bridge	DFA16-02P-11-00A(H)	02P bridge, use for DC16
⑥ Plug-in bridge	DFA16-03P-11-00A(H)	03P bridge, use for DC16
⑦ End clamp	E-WS N-01P-11-00A(H)	Fixing products on NS35 DIN rail
⑧ DIN rail	NS35/7.5-0150-00A(H)	NS35 DIN rail

Circuit diagram

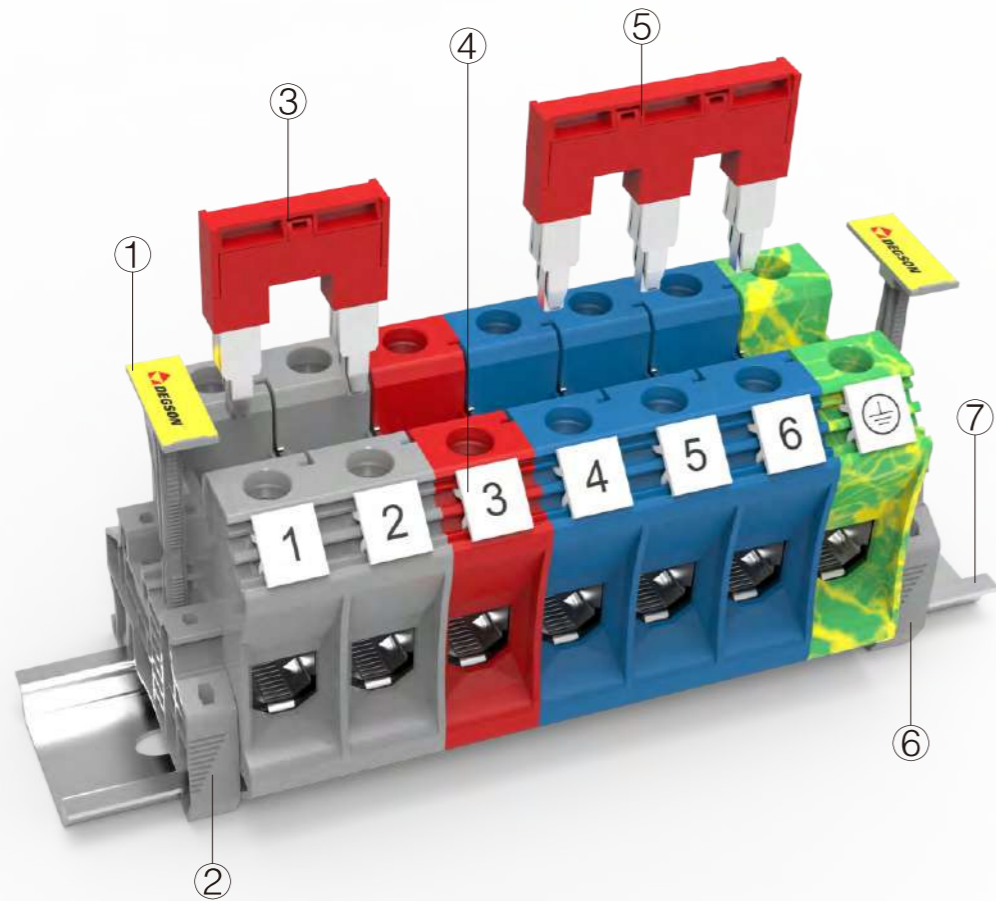


Screw connection technology 1

Feed-through and ground terminal blocks

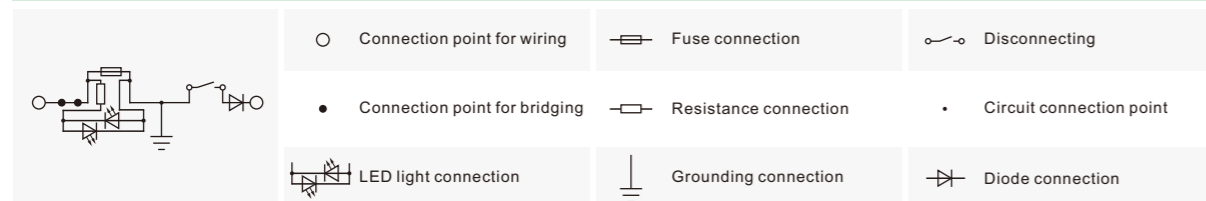


Order NO.	11020000012	11020000017							
Width/Length/Height(NS35/7.5&NS35/15) mm	12/49/50.9(58.4)	12/49/50.9(58.4)							
Electrical Data	IEC IEC60947-7-1	UL UL1059	IEC IEC60947-7-2	UL UL1059					
Rated voltage	V	1000	600	/	/				
Rated current	A	76	100	/	/				
Rated cross section	mm ² /AWG	1.5-25	14-3	1.5-25	14-3				
Connection capacity		Solid	Stranded	Ferrule (with and without plastic sleeve)	Solid	Stranded	Ferrule (with and without plastic sleeve)		
1 conductor	mm ²	1.5-25	1.5-25	1.5-16	1.5-16	1.5-25	1.5-25	1.5-16	1.5-16
2 flexible conductors with a TWIN ferrule	mm ²	-	-	-	0.75-6	-	-	-	0.75-6
General Information									
Insulation material/Flammability rating (according to UL 94)		PA/V0				PA/V0			
Operation temperatures	°C (°F)	-40(-40)~105(221)				-40(-40)~105(221)			
Stripping length	mm	12				12			
Color		Grey, Red, Blue (please contact sales for other color requirements)				Yellow green mixed color			
Screw/Rated torque	-/N.m(lb.in)/(kgf.cm)	M5/2.5(27)(25)				M5/2.5(27)(25)			
Accessories									
Ferrule		/				/			
Slotted screwdriver size (Blade thickness x Width)	mm	1x6.5				1x6.5			
Screw		Slotted screw				Slotted screw			
Bridge (2P,3P)		DFAXX-12.2				/			
End cover		D-DC16				D-DC16			
Partition plate		ATP-DS / ATP-PC N				ATP-DS / ATP-PC N			
Cover profile		AP3-COVER / AP3-T / AP3-T-KS				AP3-COVER / AP3-T / AP3-T-KS			
Marker		ZT12 / ZS12				ZT12 / ZS12			
Marker support		/				/			
Terminal strip marker support		DLM2 / KLM3-20x8 / KLM3-44x8				DLM2 / KLM3-20x8 / KLM3-44x8			
End clamp		E-PC 1100A / E-WS N				E-PC 1100A / E-WS N			
End cap		NS35/7.5-CAP NS35/15-CAP				NS35/7.5-CAP NS35/15-CAP			



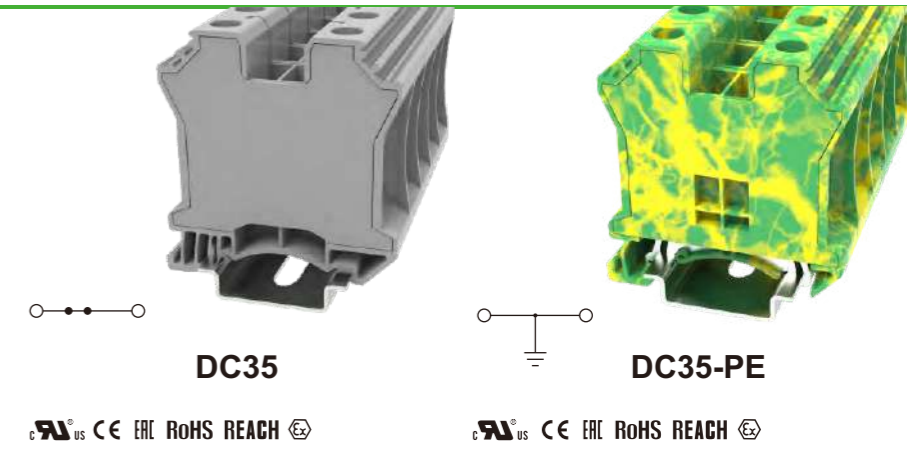
Description	Part No.	Remark
① Marker carrier	KLM3-20x8-11-00A(H)	Suitable for E-PC-1100A(H) & E-WS N
② End clamp	E-WS N-01P-11-00A(H)	Fixing products on NS35 DIN rail
③ Plug-in bridge	DFA35-02P-11-00A(H)	02P bridge, use for DC35
④ Marker	ZT12-10P-19-00A(H)	Marker is used for the side of DC35 series
⑤ Plug-in bridge	DFA35-03P-11-00A(H)	03P bridge, use for DC35
⑥ End clamp	E-WS N-01P-11-00A(H)	Fixing products on NS35 DIN rail
⑦ DIN rail	NS35/7.5-0150-00A(H)	NS35 DIN rail

Circuit diagram



Screw connection technology 1

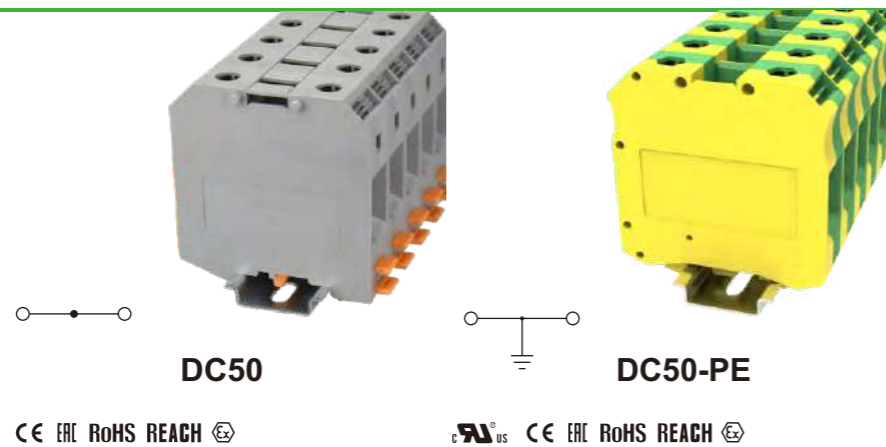
Feed-through and ground terminal blocks



Order NO.	1102000029	1102000034
Width/Length/Height(NS35/7.5&NS35/15) mm	16/55.4/61.3(68.8)	16/55.4/61.3(68.8)
Electrical Data	IEC IEC60947-7-1	UL UL1059
Rated voltage V	1000	600
Rated current A	125	150
Rated cross section mm ² /AWG	1.5-50	14-1/0
Connection capacity	Solid Stranded Ferrule (with and without plastic sleeve)	Solid Stranded Ferrule (with and without plastic sleeve)
1 conductor mm ²	2.5-50 2.5-50 1.5-35 1.5-35	2.5-50 2.5-50 1.5-35 1.5-35
2 flexible conductors with a TWIN ferrule mm ²	- - - 1.5-10	- - - 1.5-10
General Information		
Insulation material/Flammability rating (according to UL 94)	PA/V0	PA/V0
Operation temperatures °C (°F)	-40(-40)~105(221)	-40(-40)~105(221)
Stripping length mm	14-16	14-16
Color	Grey, Red, Blue (please contact sales for other color requirements)	Yellow green mixed color
Screw/Rated torque -/N.m(lb.in)(kgf.cm)	M6/3.5(31)(35)	M6/3.5(31)(35)
Accessories		
Ferrule	/	/
Slotted screwdriver size (Blade thickness x Width) mm	1x6.5	1x6.5
Screw	Slotted screw	Slotted screw
Bridge (2P,3P)	DFA35	/
End cover	/	/
Partition plate	ATP-DS / ATP-PC N	ATP-DS / ATP-PC N
Cover profile	AP3-COVER / AP3-T / AP3-T-KS	AP3-COVER / AP3-T / AP3-T-KS
Marker	ZT12 / ZS12	ZT12 / ZS12
Marker support	/	/
Terminal strip marker support	DLM2 / KLM3-20x8 / KLM3-44x8	DLM2 / KLM3-20x8 / KLM3-44x8
End clamp	E-PC 1100A / E-WS N	E-PC 1100A / E-WS N
End cap	NS35/7.5-CAP NS35/15-CAP	NS35/7.5-CAP NS35/15-CAP

Screw connection technology 1

Feed-through and ground terminal blocks



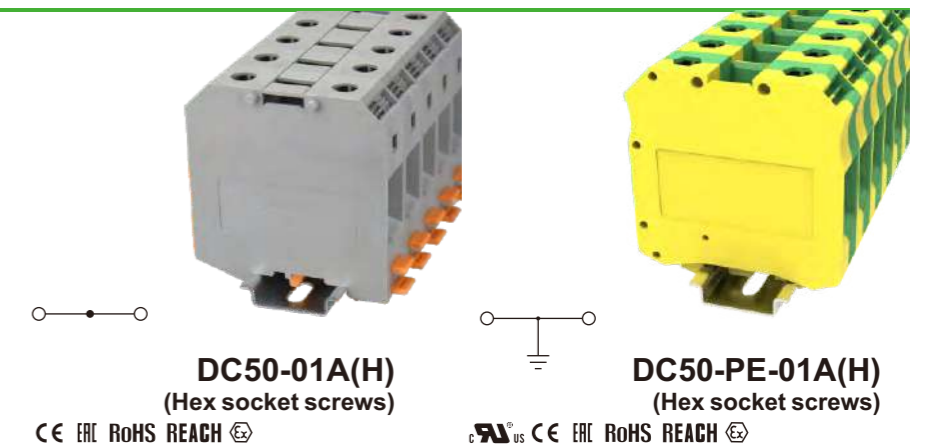
CE ERE RoHS REACH

UL US CE ERE RoHS REACH

Order NO.	11020000216				11020000218			
Width/Length/Height(NS35/7.5&NS35/15)	mm 20/70.45/75.94(83.44)				mm 20/70.45/75.94(83.44)			
Electrical Data	IEC IEC60947-7-1		UL UL1059		IEC IEC60947-7-2		UL UL1059	
Rated voltage	V 1000		600		/		/	
Rated current	A 150		125		/		/	
Rated cross section	mm ² /AWG 16-50		6-1/0		16-50		6-1/0	
Connection capacity	Solid	Stranded	Ferrule (with and without plastic sleeve)		Solid	Stranded	Ferrule (with and without plastic sleeve)	
1 conductor	mm ² 16-50	16-50	16-50	16-50	16-50	16-50	16-50	16-50
2 flexible conductors with a TWIN ferrule	mm ² -	-	-	10-16	-	-	-	10-16
General Information								
Insulation material/Flammability rating (according to UL 94)	PA/V0				PA/V0			
Operation temperatures	°C (°F) -40(-40)~105(221)				-40(-40)~105(221)			
Stripping length	mm 22-23				22-23			
Color	Grey, Red, Blue (please contact sales for other color requirements)				Yellow and green			
Screw/Rated torque	-/N.m(lb.in)(kgf.cm) M6/2.5(22.2)(25)				M6/2.5(22.2)(25)			
Accessories								
Ferrule	/				/			
Slotted screwdriver size (Blade thickness x Width)	mm 1.2x8				1.2x8			
Screw	Slotted screw				Slotted screw			
Bridge(2P,3P)	FBI2-20 / FBI3-20				/			
End cover	/				/			
Partition plate	ATP-DS / ATP-PC N				ATP-DS / ATP-PC N			
Cover profile	AP3-COVER / AP3-T / AP3-T-KS				AP3-COVER / AP3-T / AP3-T-KS			
Marker	ZT12 / ZS12				ZT12 / ZS12			
Marker support	/				/			
Terminal strip marker support	DLM2 / KLM3-20x8 / KLM3-44x8				DLM2 / KLM3-20x8 / KLM3-44x8			
End clamp	E-PC 1100A / E-WS N				E-PC 1100A / E-WS N			
End cap	NS35/7.5-CAP NS35/15-CAP				NS35/7.5-CAP NS35/15-CAP			

Screw connection technology 1

Feed-through and ground terminal blocks



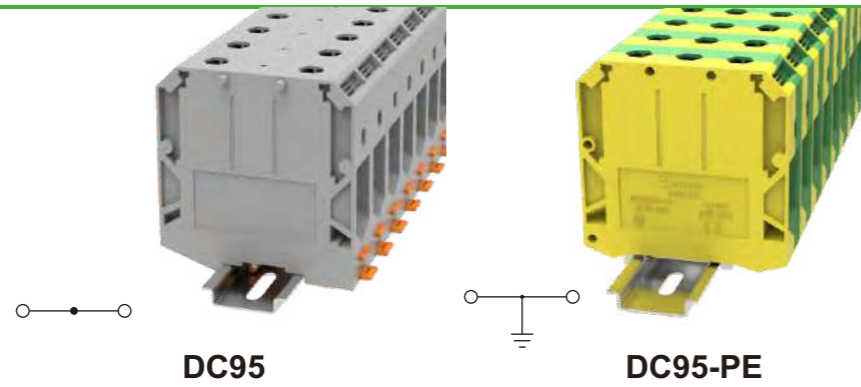
CE ERE RoHS REACH

UL US CE ERE RoHS REACH

Order NO.	11020000233				11020000232			
Width/Length/Height(NS35/7.5&NS35/15)	mm 20/70.45/75.94(83.44)				mm 20/70.45/75.94(83.44)			
Electrical Data	IEC IEC60947-7-1		UL UL1059		IEC IEC60947-7-2		UL UL1059	
Rated voltage	V 1000		600		/		/	
Rated current	A 150		125		/		/	
Rated cross section	mm ² /AWG 16-50		6-1/0		16-50		6-1/0	
Connection capacity	Solid	Stranded	Ferrule (with and without plastic sleeve)		Solid	Stranded	Ferrule (with and without plastic sleeve)	
1 conductor	mm ² 16-50	16-50	16-50	16-50	16-50	16-50	16-50	16-50
2 flexible conductors with a TWIN ferrule	mm ² -	-	-	10-16	-	-	-	10-16
General Information								
Insulation material/Flammability rating (according to UL 94)	PA/V0				PA/V0			
Operation temperatures	°C (°F) -40(-40)~105(221)				-40(-40)~105(221)			
Stripping length	mm 22-23				22-23			
Color	Grey, Red, Blue (please contact sales for other color requirements)				Yellow and green			
Screw/Rated torque	-/N.m(lb.in)(kgf.cm) M6/2.5(22.2)(25)				M6/2.5(22.2)(25)			
Accessories								
Ferrule	/				/			
Screw(Allen key)	/				/			
Screw	Hex socket screws				Hex socket screws			
Bridge(2P,3P)	FBI2-20 / FBI3-20				/			
End cover	/				/			
Partition plate	ATP-DS / ATP-PC N				ATP-DS / ATP-PC N			
Cover profile	AP3-COVER / AP3-T / AP3-T-KS				AP3-COVER / AP3-T / AP3-T-KS			
Marker	ZT12 / ZS12				ZT12 / ZS12			
Marker support	/				/			
Terminal strip marker support	DLM2 / KLM3-20x8 / KLM3-44x8				DLM2 / KLM3-20x8 / KLM3-44x8			
End clamp	E-PC 1100A / E-WS N				E-PC 1100A / E-WS N			
End cap	NS35/7.5-CAP NS35/15-CAP				NS35/7.5-CAP NS35/15-CAP			

Screw connection technology 1

Feed-through and ground terminal blocks



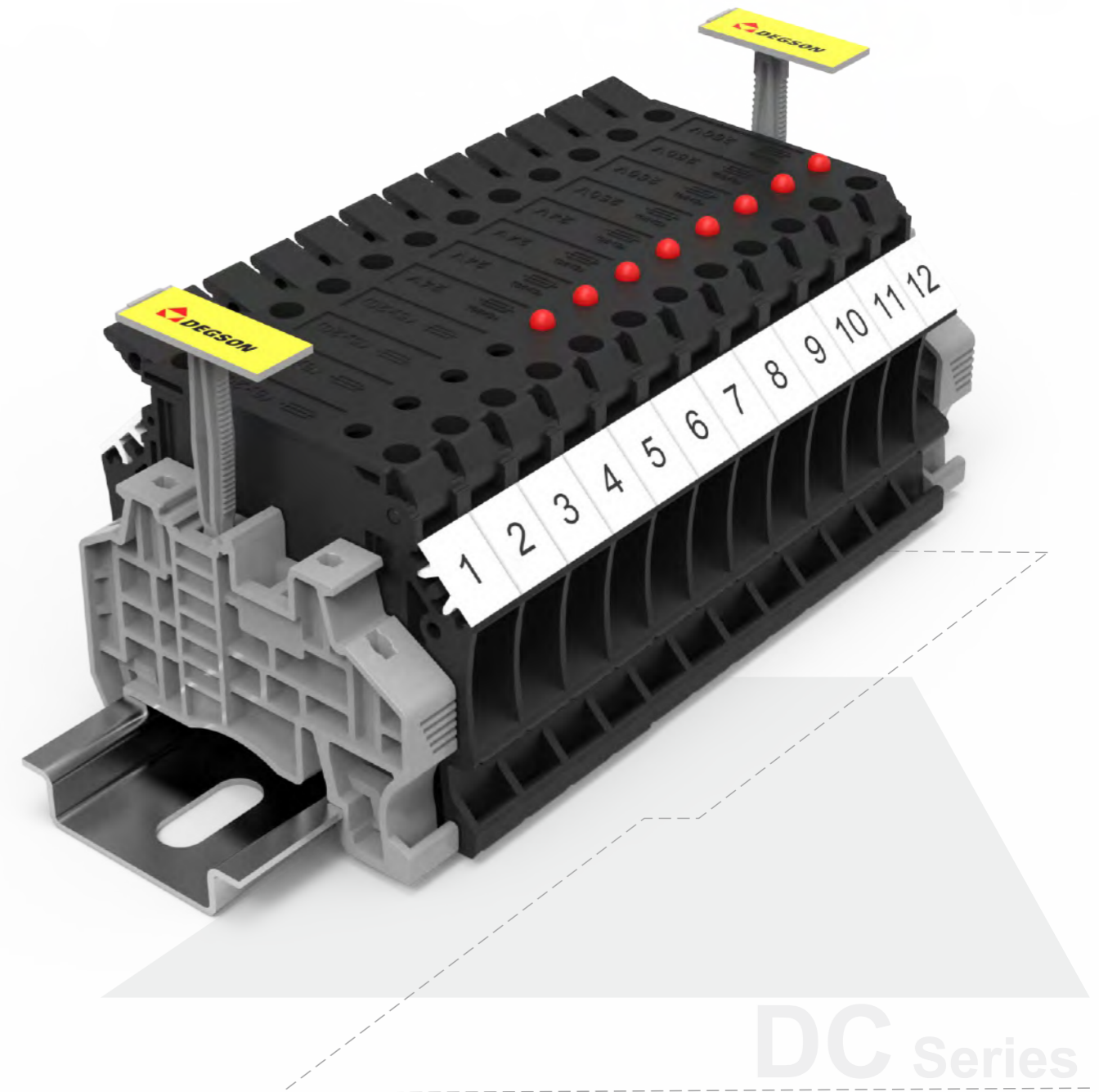
UL US CE ENEC RoHS REACH

UL US CE ENEC RoHS REACH

Order NO.	11020000213				11020000258			
Width/Length/Height(NS35/7.5&NS35/15)	mm 25/83/90.04(97.54)				mm 25/83/90.04(97.54)			
Electrical Data	IEC IEC60947-7-1		UL UL1059		IEC IEC60947-7-1		UL UL1059	
Rated voltage	V 1000		600		/		/	
Rated current	A 232		230		/		/	
Rated cross section	mm ² /AWG 25-95		2-4/0		25-95		2-4/0	
Connection capacity	Solid	Stranded	Ferrule (with and without plastic sleeve)		Solid	Stranded	Ferrule (with and without plastic sleeve)	
1 conductor	mm ² 25-95	25-95	25-95	25-95	25-95	25-95	25-95	25-95
2 flexible conductors with a TWIN ferrule	mm ² -	-	-	25-35	-	-	-	25-35
General Information								
Insulation material/Flammability rating (according to UL 94)	PA/V0				PA/V0			
Operation temperatures	°C (°F) -40(-40)~105(221)				-40(-40)~105(221)			
Stripping length	mm 33-35				33-35			
Color	Grey, Red, Blue (please contact sales for other color requirements)				Yellow green mixed color			
Screw/Rated torque	-/N.m(lb.in)(kgf.cm) M8/25(221.5)(250)				M8/25(221.5)(250)			
Accessories								
Ferrule	/				/			
Screw(Allen key)	/				/			
Screw	Hex socket screws				Hex socket screws			
Bridge (2-10P)	/				/			
End cover	/				/			
Partition plate	ATP-DS / ATP-PC N				ATP-DS / ATP-PC N			
Cover profile	AP3-COVER / AP3-T / AP3-T-KS				AP3-COVER / AP3-T / AP3-T-KS			
Marker	ZT12 / ZS12				ZT12 / ZS12			
Marker support	/				/			
Terminal strip marker support	DLM2 / KLM3-20x8 / KLM3-44x8				DLM2 / KLM3-20x8 / KLM3-44x8			
End clamp	E-PC 1100A / E-WS N				E-PC 1100A / E-WS N			
End cap	NS35/7.5-CAP NS35/15-CAP				NS35/7.5-CAP NS35/15-CAP			

DC Fuse Terminal Blocks

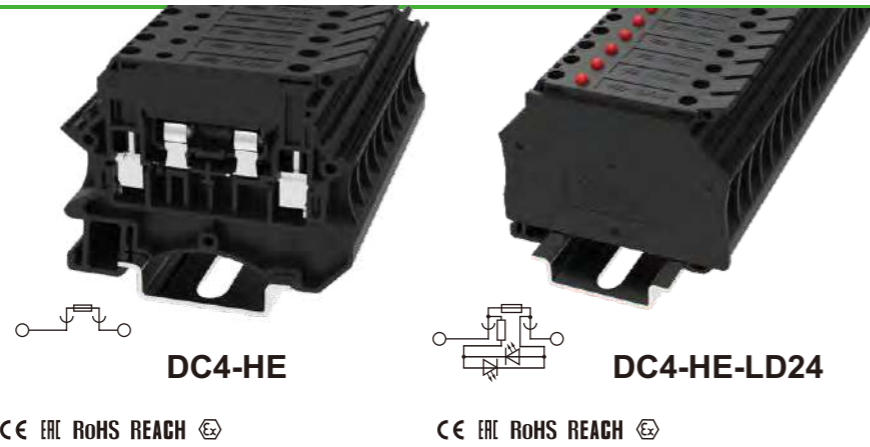
- DC Fuse type terminal blocks, with screw connection technology, high-quality steel screw and cage ensure the stable & reliable connection
- Snap-on fuse box for easy fuse replacement
- Equipped with LED indicator for quick identification of fusing status
- Compatible with the marking system to clearly identify the working area



DC Series

Screw connection technology 1

Fuse terminal blocks(5X20)



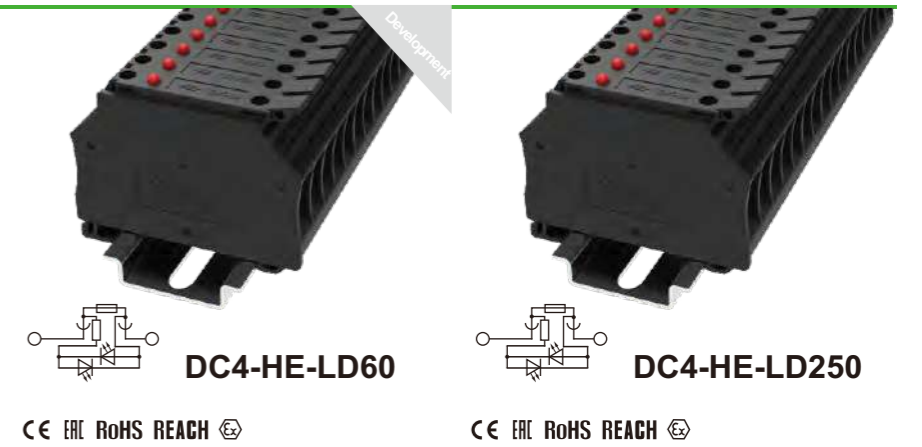
CE ERE RoHS REACH

CE ERE RoHS REACH

Order NO.	11020000045				11020000120			
Width/Length/Height(NS35/7.5&NS35/15)	mm 8/58/50(57.5)				mm 8/58/50(57.5)			
Electrical Data	IEC IEC60947-7-3		UL UL1059		IEC IEC60947-7-3			
Rated voltage	V 500		600		24 (Led voltage range 12-30V)			
Rated current	A 6.3		6.3		6.3			
Rated cross section	mm ² /AWG 0.5-6		20-10		0.5-6		20-10	
Connection capacity	Solid	Stranded	Ferrule (with and without plastic sleeve)		Solid	Stranded	Ferrule (with and without plastic sleeve)	
1 conductor	mm ² 0.5-6	0.5-4	0.5-4	0.5-4	0.5-6	0.5-4	0.5-4	0.5-4
2 flexible conductors with a TWIN ferrule	mm ² -	-	-	0.5-1.5	-	-	-	0.5-1.5
General Information								
Insulation material/Flammability rating (according to UL 94)	PA/V0				PA/V0			
Operation temperatures	°C (°F) -40(-40)~105(221)				-40(-40)~105(221)			
Stripping length	mm 9				9			
Color	Black (please contact sales for other color requirements)				Black (please contact sales for other color requirements)			
Screw/Rated torque	-/N.m(lb.in)(kgf.cm) M3/0.5(4.5)(5.1)				M3/0.5(4.5)(5.1)			
Accessories								
Ferrule	/				/			
Slotted screwdriver size (Blade thickness x Width)	mm 0.6x3.5				0.6x3.5			
Screw	Slotted screw				Slotted screw			
Bridge (2,3,10P)	EBC2-8 / EBC3-8 / EBC410-8				EBC2-8 / EBC3-8 / EBC10-8			
End cover	D-DC4-HE				D-DC4-HE			
Partition plate	ATP-DS / ATP-PC N				ATP-DS / ATP-PC N			
Cover profile	AP3-COVER / AP3-T / AP3-T-KS				AP3-COVER / AP3-T / AP3-T-KS			
Marker	ZB8 / ZS8				ZB8 / ZS8			
Marker support	/				/			
Terminal strip marker support	DLM2 / KLM3-20x8 / KLM3-44x8				DLM2 / KLM3-20x8 / KLM3-44x8			
End clamp	E-PC 1100A / E-WS N				E-PC 1100A / E-WS N			
End cap	NS35/7.5-CAP NS35/15-CAP				NS35/7.5-CAP NS35/15-CAP			

Screw connection technology 1

Fuse terminal blocks(5X20)



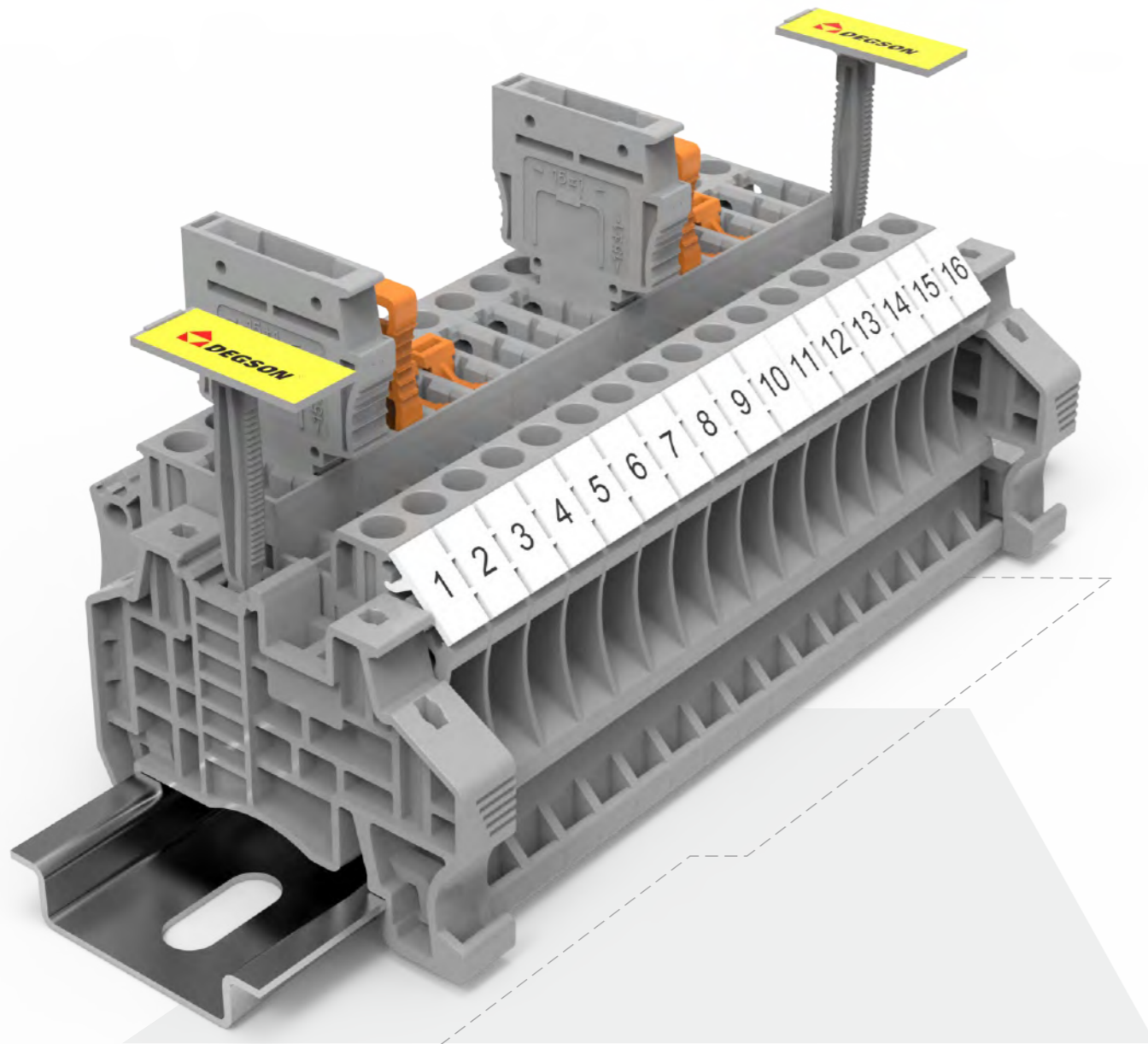
CE ERE RoHS REACH

CE ERE RoHS REACH

Order NO.	/				11020000121			
Width/Length/Height(NS35/7.5&NS35/15)	mm 8/58/50(57.5)				mm 8/58/50(57.5)			
Electrical Data	IEC IEC60947-7-3		IEC IEC60947-7-3		IEC IEC60947-7-3			
Rated voltage	V 60		250		(Led voltage range 30-60V) (Led voltage range 110-250V)			
Rated current	A 6.3		6.3		6.3			
Rated cross section	mm ² /AWG 0.5-6		20-10		0.5-6		20-10	
Connection capacity	Solid	Stranded	Ferrule (with and without plastic sleeve)		Solid	Stranded	Ferrule (with and without plastic sleeve)	
1 conductor	mm ² 0.5-6	0.5-4	0.5-4	0.5-4	0.5-6	0.5-4	0.5-4	0.5-4
2 flexible conductors with a TWIN ferrule	mm ² -	-	-	0.5-1.5	-	-	-	0.5-1.5
General Information								
Insulation material/Flammability rating (according to UL 94)	PA/V0				PA/V0			
Operation temperatures	°C (°F) -40(-40)~105(221)				-40(-40)~105(221)			
Stripping length	mm 9				9			
Color	Black (please contact sales for other color requirements)				Black (please contact sales for other color requirements)			
Screw/Rated torque	-/N.m(lb.in)(kgf.cm) M3/0.5(4.5)(5.1)				M3/0.5(4.5)(5.1)			
Accessories								
Ferrule	/				/			
Slotted screwdriver size (Blade thickness x Width)	mm 0.6x3.5				0.6x3.5			
Screw	Slotted screw				Slotted screw			
Bridge (2,3,10P)	EBC2-8 / EBC3-8 / EBC10-8				EBC2-8 / EBC3-8 / EBC10-8			
End cover	D-DC4-HE				D-DC4-HE			
Partition plate	ATP-DS / ATP-PC N				ATP-DS / ATP-PC N			
Cover profile	AP3-COVER / AP3-T / AP3-T-KS				AP3-COVER / AP3-T / AP3-T-KS			
Marker	ZB8 / ZS8				ZB8 / ZS8			
Marker support	/				/			
Terminal strip marker support	DLM2 / KLM3-20x8 / KLM3-44x8				DLM2 / KLM3-20x8 / KLM3-44x8			
End clamp	E-PC 1100A / E-WS N				E-PC 1100A / E-WS N			
End cap	NS35/7.5-CAP NS35/15-CAP				NS35/7.5-CAP NS35/15-CAP			

DC Disconnect Terminal Blocks

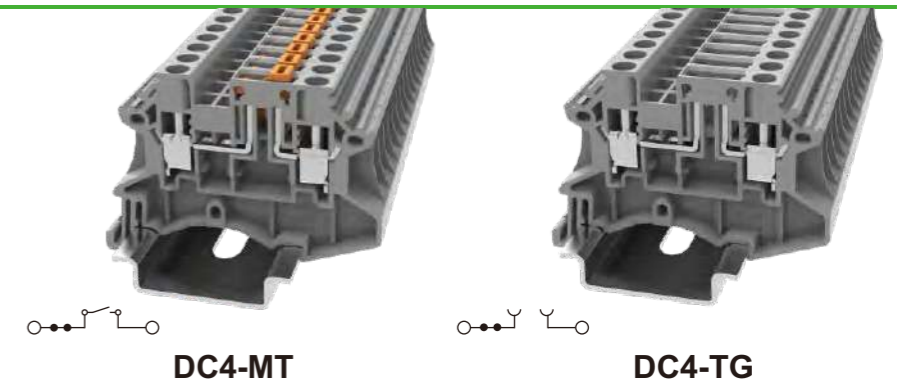
- DC Knife disconnect terminal blocks, with screw connection technology, high-quality steel screw and cage ensure the stable & reliable connection
- The circuit can be disconnected, measured, controlled easily by operate the knife disconnecter
- Snap-on knife disconnecter to prevent accidental disconnection
- Universal breaking area to achieve different functions, can insert breaking plug, component plug, fuse plug



DC Series

Screw connection technology 1

Disconnect terminal blocks



DC4-MT

DC4-TG

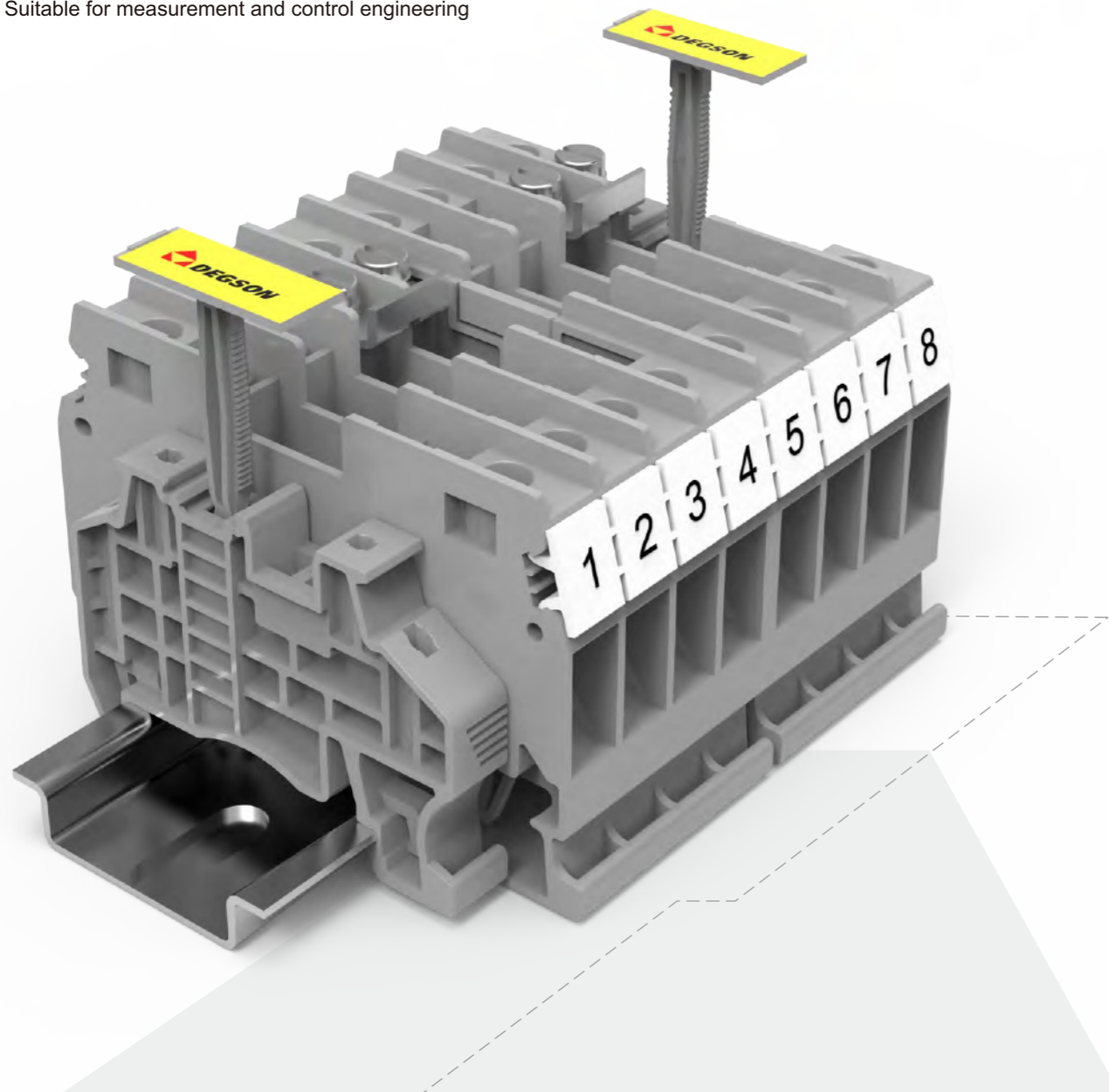
CE ENEC RoHS REACH

CE ENEC RoHS REACH

Order NO.	11020000187				11020000186			
Width/Length/Height(NS35/7.5&NS35/15)	mm				6.1/56.8/41.5(49)			
Electrical Data	IEC IEC60947-7-1		UL UL1059		IEC IEC60947-7-1		UL UL1059	
Rated voltage	V		500		600		500	
Rated current	A		20		16		20	
Rated cross section	mm ² /AWG		0.5-6		26-10		0.5-6	
Connection capacity	Solid	Stranded	Ferrule (with and without plastic sleeve)		Solid	Stranded	Ferrule (with and without plastic sleeve)	
1 conductor	mm ²	0.5-6	0.5-4	0.5-4	0.5-4	0.5-4	0.5-4	0.5-4
2 flexible conductors with a TWIN ferrule	mm ²	—	—	0.5-1.5	—	—	—	0.5-1.5
General Information								
Insulation material/Flammability rating (according to UL 94)	PA/V0				PA/V0			
Operation temperatures	°C (°F)		-40(-40)~105(221)		-40(-40)~105(221)		-40(-40)~105(221)	
Stripping length	mm		8-9		8-9		8-9	
Color	Grey, Red, Blue (please contact sales for other color requirements)				Grey, Red, Blue (please contact sales for other color requirements)			
Screw/Rated torque	-/N.m(lb.in)(kgf.cm)		M3/0.65(6.63)(5.76)		M3/0.65(6.63)(5.76)		M3/0.65(6.63)(5.76)	
Accessories								
Matching accessories			/		DS-DI / DS-CO / DS-FU5 / DS-FU5-LD24			
Slotted screwdriver size (Blade thickness x Width)	mm		0.6x3.5		0.6x3.5			
Screw	Slotted screw				Slotted screw			
Bridge(2-10P)			DFAXX-6.2		DFAXX-6.2			
End cover			D-DC4-TG		D-DC4-TG			
Partition plate			ATP-DS / ATP-PC N		ATP-DS / ATP-PC N			
Cover profile			AP3-COVER / AP3-T / AP3-T-KS		AP3-COVER / AP3-T / AP3-T-KS			
Marker			ZB6 / ZS6		ZB6 / ZS6			
Marker support			/		/			
Terminal strip marker support			DLM2 / KLM3-20x8 / KLM3-44x8		DLM2 / KLM3-20x8 / KLM3-44x8			
End clamp			E-PC 1100A / E-WS N		E-PC 1100A / E-WS N			
End cap			NS35/7.5-CAP NS35/15-CAP		NS35/7.5-CAP NS35/15-CAP			

DC Test Disconnect Terminal Block

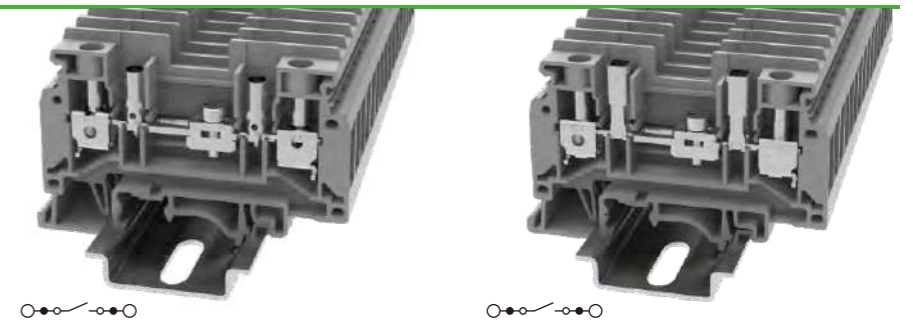
- DC Test disconnect terminal block, with screw connection technology, high-quality steel screw and cage ensure the stable & reliable connection
- The circuit can be disconnected, measured, controlled easily by operate the slide disconnector
- With bushing and bridges, it can be short-circuited and then open-circuited, which is convenient for protecting and measuring the secondary circuit
- Suitable for measurement and control engineering



DC Series

Screw connection technology 1

Test disconnect terminal block



DCTK6-20A(H)

DCTK6 N

CE ENEC RoHS REACH

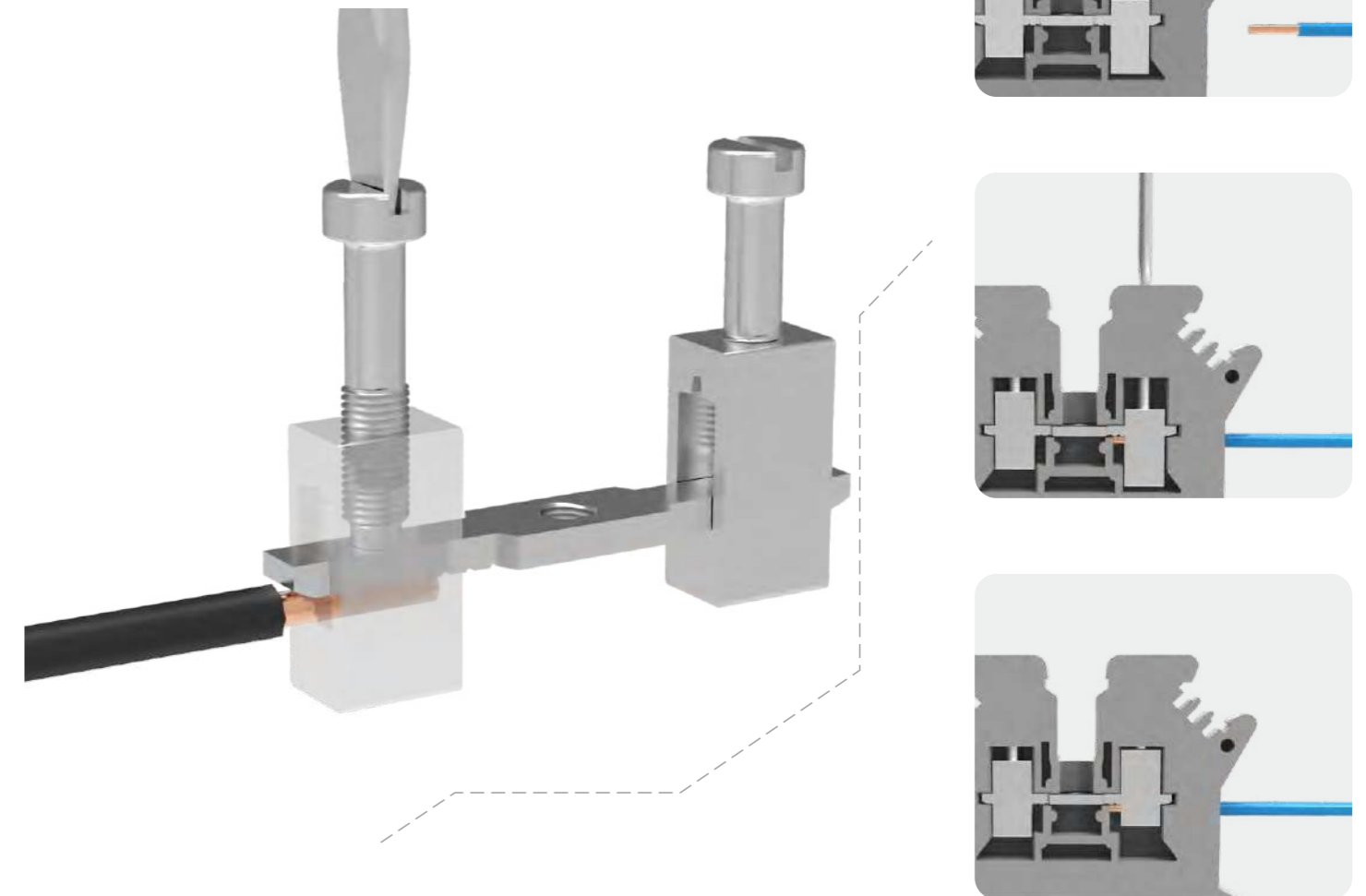
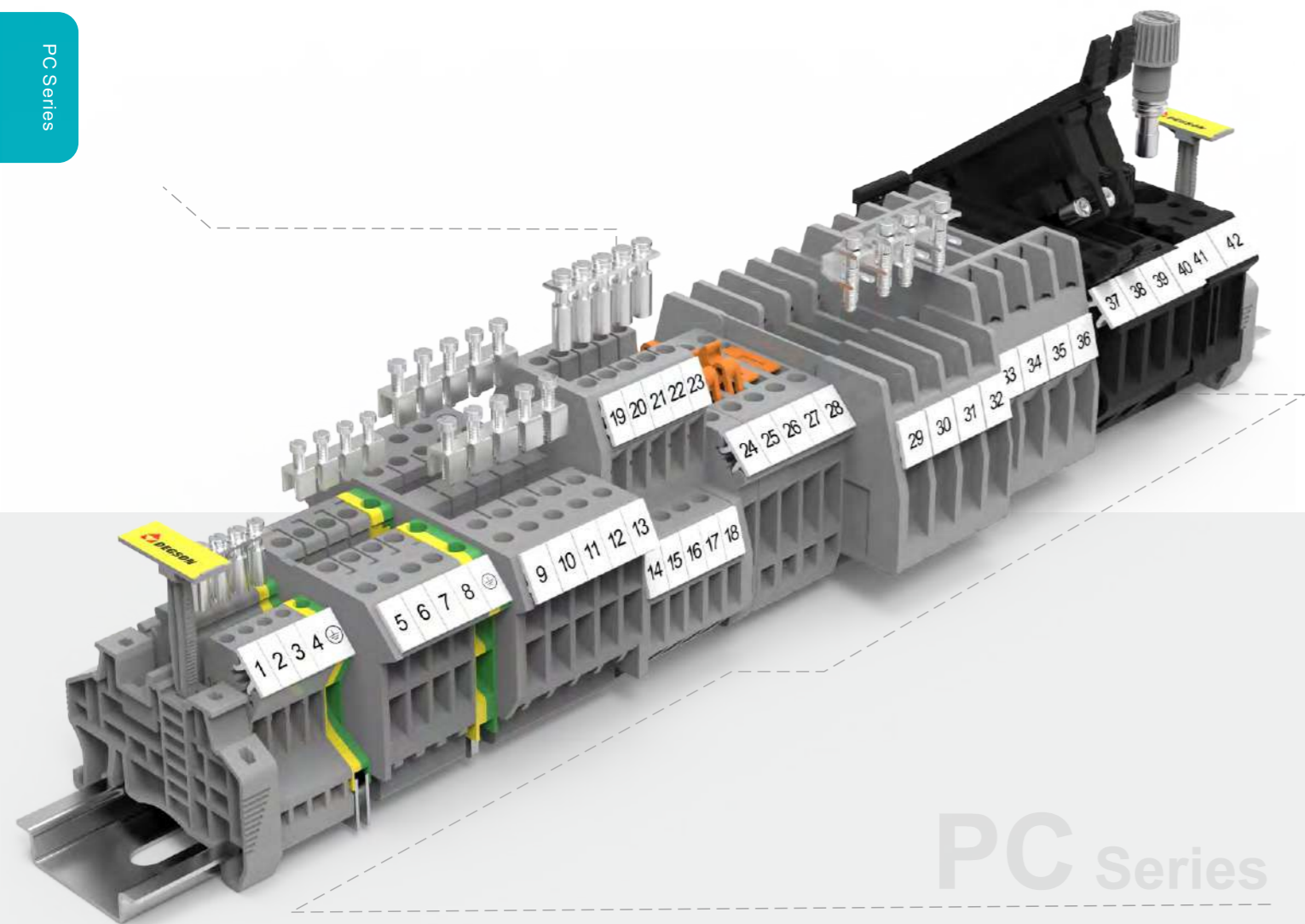
CE ENEC RoHS REACH

Order NO.	11020000234				11020000302			
Width/Length/Height(NS35/7.5&NS35/15)	mm 8/69/46.55(54.05)				mm 8/69/46.55(54.05)			
Electrical Data	IEC IEC60947-7-1		UL UL1059		IEC IEC60947-7-1		UL UL1059	
Rated voltage	V 630		300		V 630		300	
Rated current	A 41		45		A 41		45	
Rated cross section	mm ² /AWG 0.5-6		22-8		mm ² /AWG 0.5-6		22-8	
Connection capacity	Solid	Stranded	Ferrule (with and without plastic sleeve)		Solid	Stranded	Ferrule (with and without plastic sleeve)	
1 conductor	mm ² 0.5-6	0.5-6	0.5-6	0.5-6	mm ² 0.5-6	0.5-6	0.5-6	0.5-6
2 flexible conductors with a TWIN ferrule	mm ² -	-	-	0.5-4	mm ² -	-	-	0.5-4
General Information								
Insulation material/Flammability rating (according to UL 94)	PA/V0				PA/V0			
Operation temperatures	°C (°F) -40(-40)~105(221)				°C (°F) -40(-40)~105(221)			
Stripping length	mm 10-11				mm 10-11			
Color	Grey, Red, Blue (please contact sales for other color requirements)				Grey, Red, Blue (please contact sales for other color requirements)			
Screw/Rated torque	-/N.m(lb.in)(kgf.cm) M4/1.2(10.6)(12.24)				-/N.m(lb.in)(kgf.cm) M4/1.2(10.6)(12.24)			
Accessories								
Ferrule	/				/			
Slotted screwdriver size (Blade thickness x Width)	mm 1x4				mm 1x4			
Screw	Slotted screw				Slotted screw			
Bridge (2P)	FBR16-RTK/S				FBR16-RTK/S			
End cover	D-DCTK6				D-DCTK6			
Partition plate	ATP-DS / ATP-PC N				ATP-DS / ATP-PC N			
Cover profile	AP3-COVER / AP3-T / AP3-T-KS				AP3-COVER / AP3-T / AP3-T-KS			
Marker	ZB8 / ZS8				ZB8 / ZS8			
Marker support	/				/			
Terminal strip marker support	DLM2 / KLM3-20x8 / KLM3-44x8				DLM2 / KLM3-20x8 / KLM3-44x8			
End clamp	E-PC 1100A / E-WS N				E-PC 1100A / E-WS N			
End cap	NS35/7.5-CAP NS35/15-CAP				NS35/7.5-CAP NS35/15-CAP			

PC-Copper Screw Terminal Blocks

Feature

- Screw connection technology is adopted, with excellent connection airtightness
- All copper alloy material, low contact resistance
- The wiring is very flexible and can realize multi wire connection
- Large area identification space, clear wiring

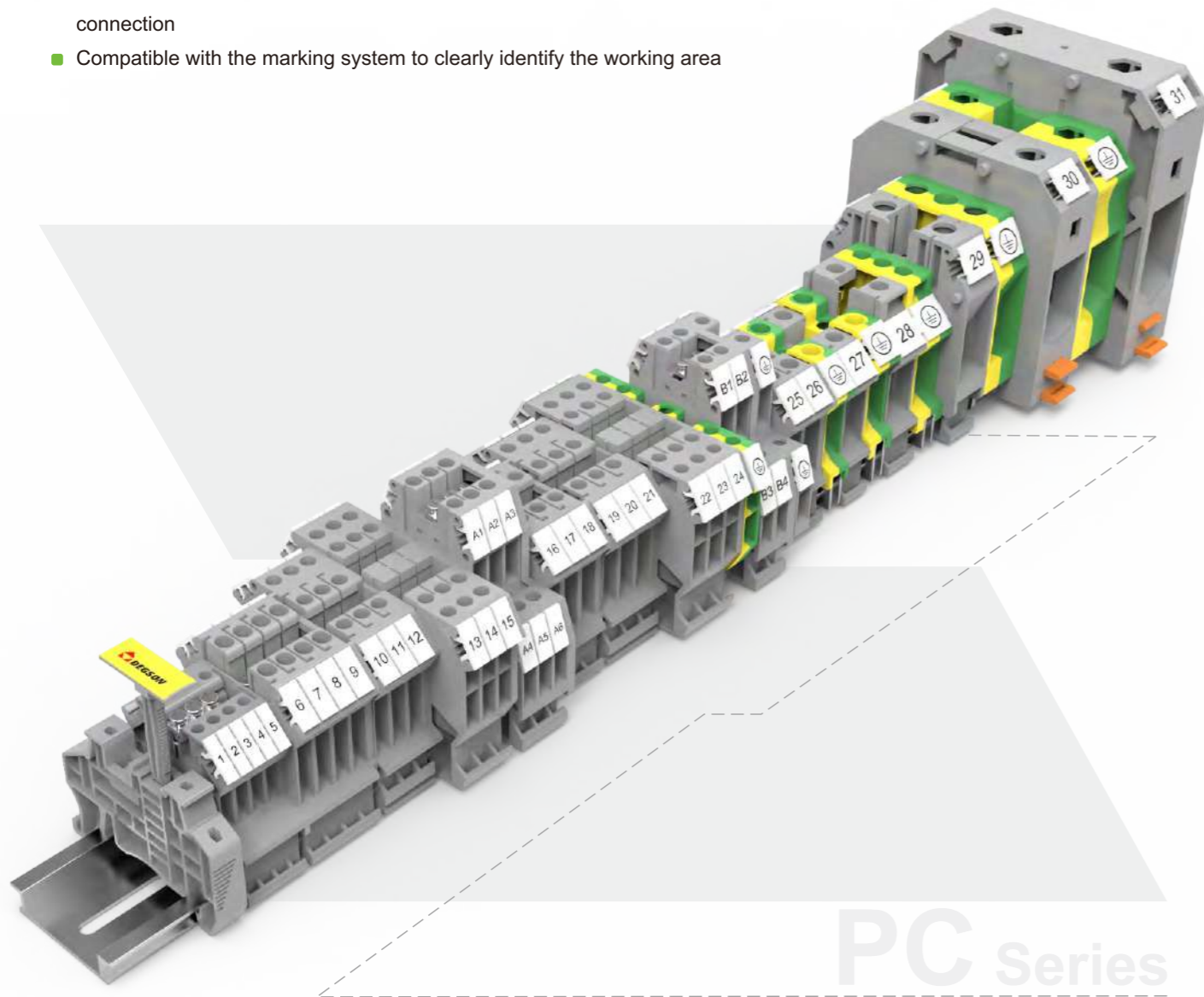


PC Copper screw terminal blocks adopts copper screw and copper cage to cooperate with clamp wire to ensure excellent connection airtightness and maintain long-term low contact resistance. The raw materials of PA66 plastic parts can meet the working environment of - 40 °C to 105 °C, all PC series products meet UL94 V0 flame retardant grade. Compact structure multi-conductor and multi-layer terminals, saving space in the cabinet.

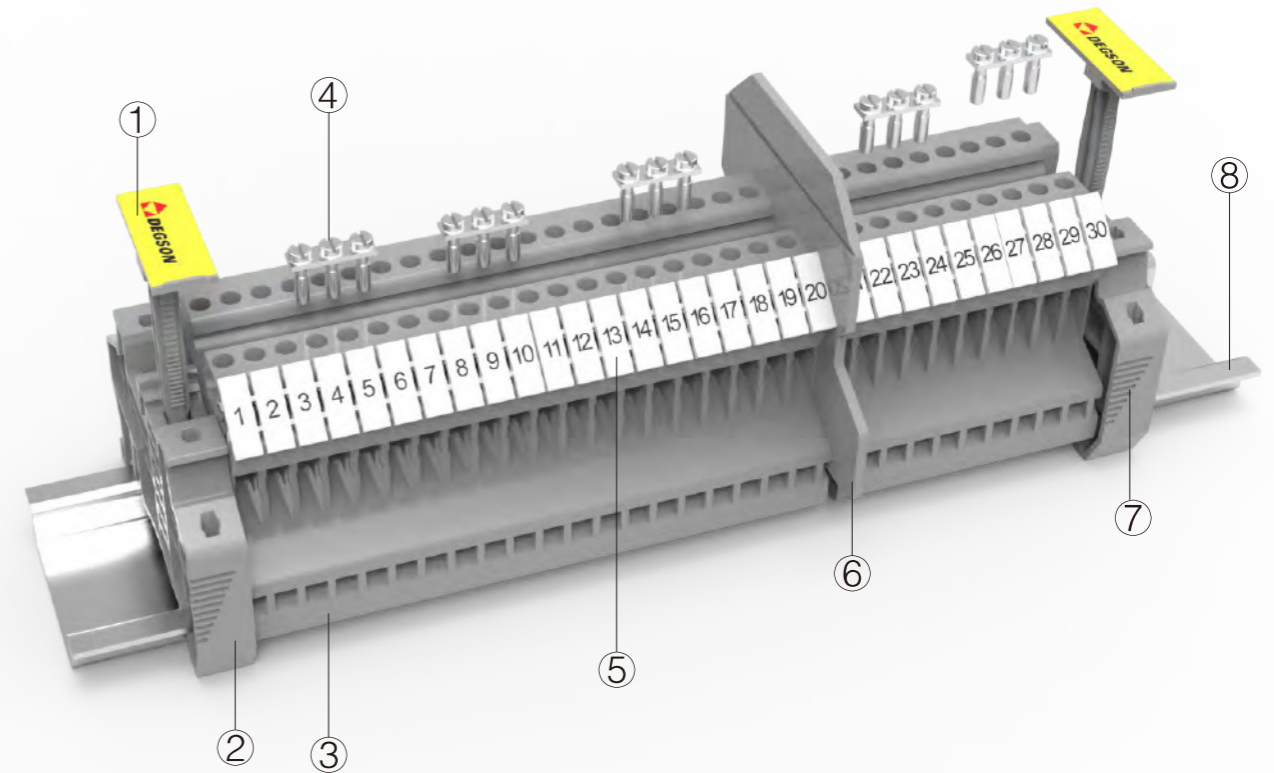
PC Series

PC Feed-through Terminal Blocks

- PC Feed-through terminal blocks, with screw connection technology, high-quality copper screw and cage ensure the stable & reliable connection
- Multi-deck type, space saving
- The fixed bridge can realize the potential distribution of 2-10 positions;By cutting off individual bifurcations, the side plug-in bridge can reach jumped connection
- Compatible with the marking system to clearly identify the working area



PC Series



Description	Part No.	Remark
① Marker carrier	KLM3-20x8-11-00A(H)	Suitable for E-PC-1100A(H) & E-WS N
② End Clamp	E-WS N-01P-11-00A(H)	Fixing products on NS35 DIN rail
③ Terminal blocks	PC1.5-01P-11-00A(H)	Brass screw type 1.5mm ² DIN Rail terminal blocks
④ Fixed bridge	FBR13-4-00A(H)	03P bridge, use for PC1.5
⑤ Marker	ZB4-10P-19-00A(H)	Marker is used for the side of PC1.5
⑥ Partition plate	ATP-PC-01P-11-00A(H)	End cover is used for PC1.5
⑦ End Clamp	E-WS N-01P-11-00A(H)	Fixing products on NS35 DIN rail
⑧ DIN rail	NS35/7.5-0150-00A(H)	NS35 DIN rail

PC Series

Circuit diagram

	○ Connection point for wiring		⊞ Fuse connection		⊞ Disconnecting
	● Connection point for bridging		⊞ Resistance connection		● Circuit connection point
	⊞ LED light connection		⊞ Grounding connection		⊞ Diode connection

Screw connection technology 2

Feed-through terminal blocks

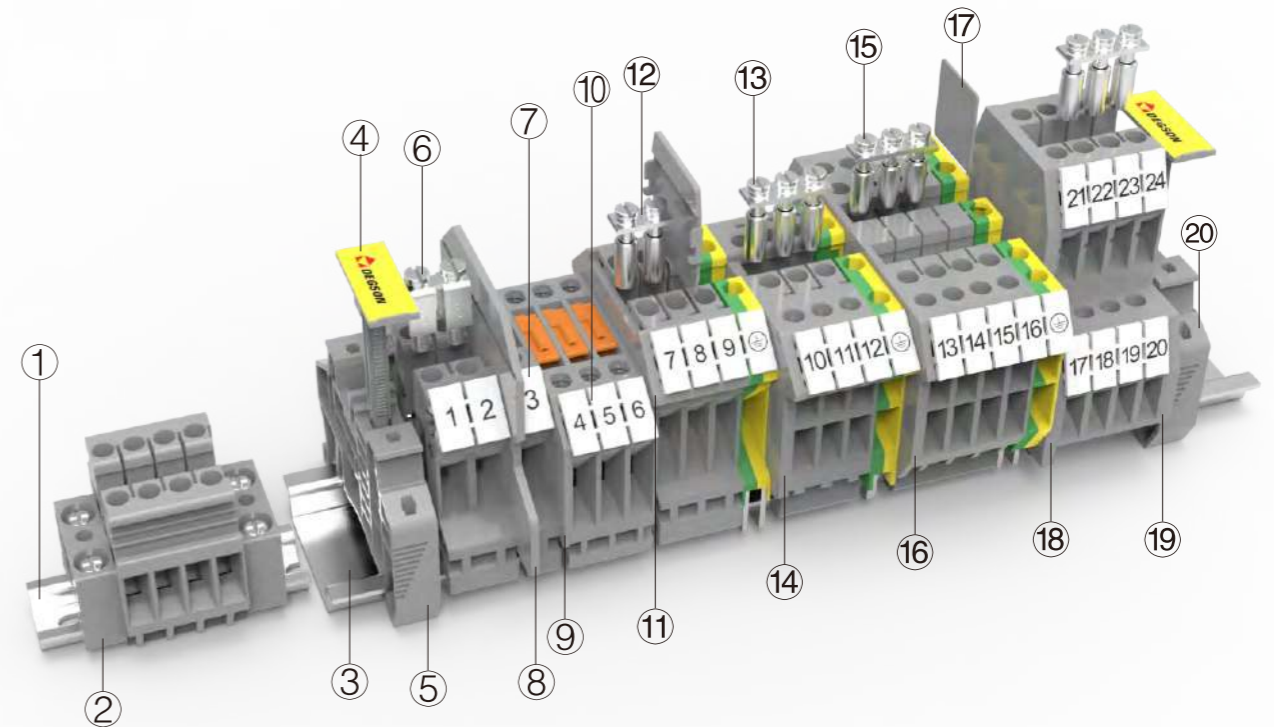


PC1.5

UL US CE ENEC RoHS REACH

Order NO.	1101000017			
Width/Length/Height(NS35/7.5&NS35/15)	mm	4.2/42.5/42.05(49.55)		
Electrical Data		IEC IEC60947-7-1	UL UL1059	
Rated voltage	V	500	600	
Rated current	A	17.5	10	
Rated cross section	mm ² /AWG	0.2-1.5	26-16	
Connection capacity		Solid	Stranded	Ferrule (with and without plastic sleeve)
1 conductor	mm ²	0.2-1.5	0.2-1.5	0.2-1.5 0.2-0.5
2 flexible conductors with a TWIN ferrule	mm ²	—	—	— 0.5
General Information				
Insulation material/Flammability rating (according to UL 94)		PA/V0		
Operation temperatures	°C (°F)	-40(-40)~105(221)		
Stripping length	mm	6-7		
Color		Grey, Red, Blue (please contact sales for other color requirements)		
Screw/Rated torque	-/N.m(lb.in)(kgf.cm)	M2.5/0.2(1.8)(2.04)		

Accessories	
Ferrule	/
Slotted screwdriver size (Blade thickness x Width)	mm 0.4x2.5
Flexed bridge (2,3,5,10P)	FBR110-4
Insertion bridge (2-10P)	/
End cover	D-PC1.5
Separating disk	/
Partition plate	ATP-PC / ATP-DS / ATP-PC N
Cover profile	AP3-COVER / AP3-T / AP3-T-KS
Marker	ZB4
Marker support	/
Terminal strip marker support	DLM2 / KLM3-20x8 / KLM3-44x8
End clamp	E-PC 1100A / E-WS N
End cap	NS35/7.5-CAP NS35/15-CAP



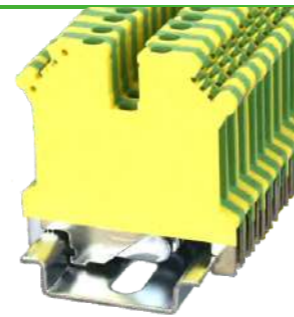
Description	Part No.	Remark
① DIN rail	NS15-0050-00A(H)	NS15 DIN rail
② End Clamp	E-PC-DIN15-01P-11-1000A(H)	Fixing products on NS15 DIN rail
③ DIN rail	NS35/7.5-0150-00A(H)	NS35 DIN rail
④ Marker carrier	KLM3-20x8-11-00A(H)	Suitable for E-PC-1100A(H) & E-WS N
⑤ End Clamp	E-WS N-01P-11-00A(H)	Fixing products on NS35 DIN rail
⑥ Fixed bridge	FBI2-6-00A(H)	02P bridge, use for PC2.5B
⑦ Marker	ZB6-10P-19-00A(H)	Marker is used for the side of PC2.5B
⑧ Partition plate	ATP-PC-01P-11-00A(H)	End cover is used for PC2.5 series
⑨ End cover	D-PCMT2.5-01P-11-00A(H)	End cover is used for PCMT2.5
⑩ Marker	ZB5-10P-19-00A(H)	Marker is used for the side of PC2.5 series
⑪ End cover	D-PC2.5-01P-11-00A(H)	End cover is used for PC2.5
⑫ Fixed bridge	FBR12-5-00A(H)	02P bridge, use for PC2.5
⑬ Separating disk	TS-K-01P-11-00A(H)	The Separating disk is used for PC2.5, PCMB2.5
⑭ End cover	D-PC4-TW-01P-11-00A(H)	End cover is used for PC2.5-TW
⑮ Fixed bridge	FBR13-5-00A(H)	03P bridge, use for PC2.5 series
⑯ End cover	D-PCDK2.5-01P-11-00A(H)	End cover is used for PCDK2.5
⑰ Separating disk	TS-KK3-01P-11-00A(H)	The Separating disk is used for PCDK2.5, PC2.5B, PCKK2.5
⑱ End cover	D-PCKK2.5-01P-11-00A(H)	End cover is used for PCKK2.5
⑲ Compensation plate	DP-PCKK2.5-01P-11-00A(H)	End cover is used for PCKK2.5 series
⑳ End Clamp	E-WS N-01P-11-00A(H)	Fixing products on NS35 DIN rail

Circuit diagram

	○ Connection point for wiring		Fuse connection		Disconnecting
	● Connection point for bridging		Resistance connection		Circuit connection point
	LED light connection		Grounding connection		Diode connection

Screw connection technology 2

Feed-through, multi-conductor, multi-level, and ground terminal blocks


PC2.5

PC2.5-PE


Order NO.	11010000031				11010000041			
Width/Length/Height(NS35/7.5&NS35/15)	mm 5.2/42.5/47.25(54.75)				mm 5.2/42.5/47.25(54.75)			
Electrical Data	IEC IEC60947-7-1		UL UL1059		IEC IEC60947-7-2		UL UL1059	
Rated voltage	V 800		600		/		/	
Rated current	A 24		20		/		/	
Rated cross section	mm ² /AWG 0.2-2.5		24-12		0.2-2.5		24-12	
Connection capacity	Solid	Stranded	Ferrule (with and without plastic sleeve)		Solid	Stranded	Ferrule (with and without plastic sleeve)	
1 conductor	mm ² 0.2-2.5	0.2-2.5	0.2-2.5	0.2-1.5	0.2-2.5	0.2-2.5	0.2-2.5	0.2-1.5
2 flexible conductors with a TWIN ferrule	mm ² -	-	-	0.5-0.75	-	-	-	0.5-0.75
General Information								
Insulation material/Flammability rating (according to UL 94)	PA/V0				PA/V0			
Operation temperatures	°C (°F) -40(-40)~105(221)				-40(-40)~105(221)			
Stripping length	mm 7				9-10			
Color	Grey, Red, Blue (please contact sales for other color requirements)				Yellow and green			
Screw/Rated torque	-/N.m(lb.in)(kgf.cm) M3/0.5(4.5)(5.1)				M3/0.5(4.5)(5.1)			
Accessories								
Ferrule	/				/			
Slotted screwdriver size (Blade thickness x Width)	mm 0.6x3.5				0.6x3.5			
Flexed bridge (2,3,4,5,6,8,10P)	FBI110-5				/			
Insertion bridge (2-10P)	EB2-5 / EB3-5 / EB10-5				EB2-5 / EB3-5 / EB10-5			
End cover	D-PC2.5				/			
Separating disk	TS-K				/			
Partition plate	ATP-PC / ATP-DS / ATP-PC N				ATP-PC / ATP-DS / ATP-PC N			
Cover profile	AP3-COVER / AP3-T / AP3-T-KS				AP3-COVER / AP3-T / AP3-T-KS			
Marker	ZB5 / ZS5				ZB5 / ZS5			
Marker support	/				/			
Terminal strip marker support	DLM2 / KLM3-20x8 / KLM3-44x8				DLM2 / KLM3-20x8 / KLM3-44x8			
End clamp	E-PC 1100A / E-WS N				E-PC 1100A / E-WS N			
End cap	NS35/7.5-CAP NS35/15-CAP				NS35/7.5-CAP NS35/15-CAP			

Screw connection technology 2

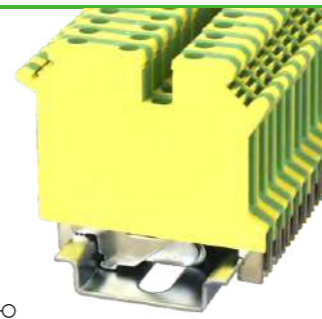
Feed-through, multi-conductor, multi-level, and ground terminal blocks


PC2.5B


Order NO.	11010000032			
Width/Length/Height(NS35/7.5&NS35/15)	mm 6.2/42.5/42.05(49.55)			
Electrical Data	IEC IEC60947-7-1		UL UL1059	
Rated voltage	V 800		600	
Rated current	A 24		20	
Rated cross section	mm ² /AWG 0.2-2.5		24-12	
Connection capacity	Solid	Stranded	Ferrule (with and without plastic sleeve)	
1 conductor	mm ² 0.2-2.5	0.2-2.5	0.2-2.5	0.2-1.5
2 flexible conductors with a TWIN ferrule	mm ² -	-	-	0.5-0.75
General Information				
Insulation material/Flammability rating (according to UL 94)	PA/V0			
Operation temperatures	°C (°F) -40(-40)~105(221)			
Stripping length	mm 7			
Color	Grey, Red, Blue (please contact sales for other color requirements)			
Screw/Rated torque	-/N.m(lb.in)(kgf.cm) M3/0.5(4.5)(5.1)			
Accessories				
Ferrule	/			
Slotted screwdriver size (Blade thickness x Width)	mm 0.6x3.5			
Flexed bridge (2,3,5,7,8,10P)	FBI110-6			
Insertion bridge(2-10P)	EB2-6 / EB3-6 / EB10-6			
End cover	D-PC1.5			
Separating disk	TS-KK3			
Partition plate	ATP-PC / ATP-DS / ATP-PC N			
Cover profile	AP3-COVER / AP3-T / AP3-T-KS			
Marker	ZB6 / ZS6			
Marker support	/			
Terminal strip marker support	DLM2 / KLM3-20x8 / KLM3-44x8			
End clamp	E-PC 1100A / E-WS N			
End cap	NS35/7.5-CAP NS35/15-CAP			

Screw connection technology 2

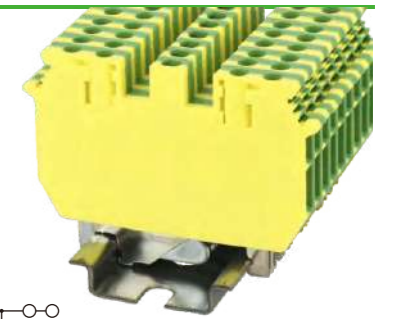
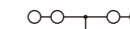
Feed-through, multi-conductor, multi-level, and ground terminal blocks


PC2.5-TW

PC2.5-TW-PE

Order NO.	11010000033				11010000042			
Width/Length/Height(NS35/7.5&NS35/15)	mm 5.2/50.1/47.25(54.75)				mm 5.2/50.1/47.25(54.75)			
Electrical Data	IEC IEC60947-7-1		UL UL1059		IEC IEC60947-7-2		UL UL1059	
Rated voltage	V 400		300		/		/	
Rated current	A 24		20		/		/	
Rated cross section	mm ² /AWG 0.2-2.5		24-14		0.2-2.5		24-14	
Connection capacity	Solid	Stranded	Ferrule (with and without plastic sleeve)		Solid	Stranded	Ferrule (with and without plastic sleeve)	
1 conductor	mm ² 0.2-2.5	0.2-2.5	0.2-2.5	0.2-1.5	0.2-2.5	0.2-2.5	0.2-2.5	0.2-1.5
2 flexible conductors with a TWIN ferrule	mm ² -	-	-	0.5-0.75	-	-	-	0.5-0.75
General Information								
Insulation material/Flammability rating (according to UL 94)	PA/V0				PA/V0			
Operation temperatures	°C (°F) -40(-40)~105(221)				-40(-40)~105(221)			
Stripping length	mm 9-10				9-10			
Color	Grey, Red, Blue (please contact sales for other color requirements)				Yellow and green			
Screw/Rated torque	-/N.m(lb.in)/(kgf.cm) M3/0.5(4.5)(5.1)				M3/0.5(4.5)(5.1)			
Accessories								
Ferrule	/				/			
Slotted screwdriver size (Blade thickness x Width)	mm 0.6x3.5				0.6x3.5			
Flexed bridge (2,3,4,5,6,8,10P)	FBR110-5				/			
Insertion bridge (2-10P)	EB2-5 / EB3-5 / EB10-5				EB2-5 / EB3-5 / EB10-5			
End cover	D-PC4-TW				/			
Separating disk	/				/			
Partition plate	ATP-PC / ATP-DS / ATP-PC N				ATP-PC / ATP-DS / ATP-PC N			
Cover profile	AP3-COVER / AP3-T / AP3-T-KS				AP3-COVER / AP3-T / AP3-T-KS			
Marker	ZB5 / ZS5				ZB5 / ZS5			
Marker support	/				/			
Terminal strip marker support	DLM2 / KLM3-20x8 / KLM3-44x8				DLM2 / KLM3-20x8 / KLM3-44x8			
End clamp	E-PC 1100A / E-WS N				E-PC 1100A / E-WS N			
End cap	NS35/7.5-CAP / NS35/15-CAP				NS35/7.5-CAP / NS35/15-CAP			

Screw connection technology 2

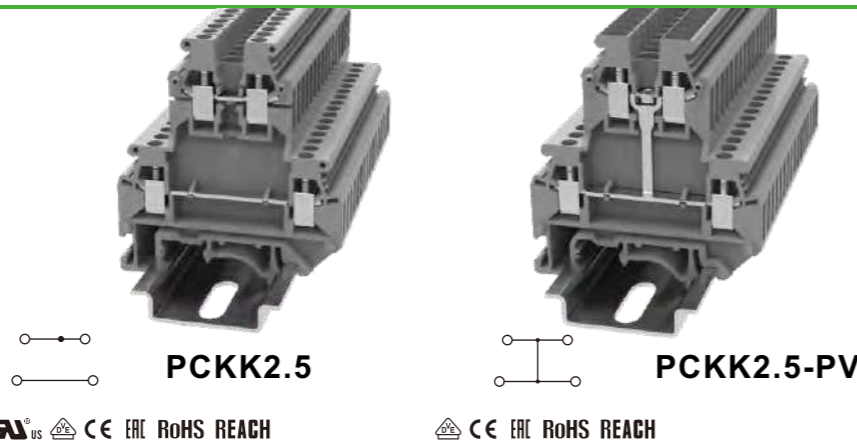
Feed-through, multi-conductor, multi-level, and ground terminal blocks


PCDK2.5

PCDK2.5-PE

Order NO.	11010000115				11010000116			
Width/Length/Height(NS35/7.5&NS35/15)	mm 5.2/63.5/47.25(54.75)				mm 5.2/63.5/47.25(54.75)			
Electrical Data	IEC IEC60947-7-1		UL UL1059		IEC IEC60947-7-2		UL UL1059	
Rated voltage	V 500		300		/		/	
Rated current	A 24		20		/		/	
Rated cross section	mm ² /AWG 0.2-2.5		24-12		0.2-2.5		24-12	
Connection capacity	Solid	Stranded	Ferrule (with and without plastic sleeve)		Solid	Stranded	Ferrule (with and without plastic sleeve)	
1 conductor	mm ² 0.2-2.5	0.2-2.5	0.2-2.5	0.2-1.5	0.2-2.5	0.2-2.5	0.2-2.5	0.2-1.5
2 flexible conductors with a TWIN ferrule	mm ² -	-	-	0.5-1	-	-	-	0.5-1
General Information								
Insulation material/Flammability rating (according to UL 94)	PA/V0				PA/V0			
Operation temperatures	°C (°F) -40(-40)~105(221)				-40(-40)~105(221)			
Stripping length	mm 7-8				7-8			
Color	Grey, Red, Blue (please contact sales for other color requirements)				Yellow and green			
Screw/Rated torque	-/N.m(lb.in)/(kgf.cm) M3/0.5(4.5)(5.1)				M3/0.5(4.5)(5.1)			
Accessories								
Ferrule	/				/			
Slotted screwdriver size (Blade thickness x Width)	mm 0.6x3.5				0.6x3.5			
Flexed bridge (2,3,4,5,6,8,10P)	FBR110-5				/			
Insertion bridge (2-10P)	EB2-5 / EB3-5 / EB10-5				EB2-5 / EB3-5 / EB10-5			
End cover	D-PCDK2.5				/			
Separating disk	TS-KK3				/			
Partition plate	ATP-PC / ATP-DS / ATP-PC N				ATP-PC / ATP-DS / ATP-PC N			
Cover profile	AP3-COVER / AP3-T / AP3-T-KS				AP3-COVER / AP3-T / AP3-T-KS			
Marker	ZB5 / ZS5				ZB5 / ZS5			
Marker support	/				/			
Terminal strip marker support	DLM2 / KLM3-20x8 / KLM3-44x8				DLM2 / KLM3-20x8 / KLM3-44x8			
End clamp	E-PC 1100A / E-WS N				E-PC 1100A / E-WS N			
End cap	NS35/7.5-CAP / NS35/15-CAP				NS35/7.5-CAP / NS35/15-CAP			

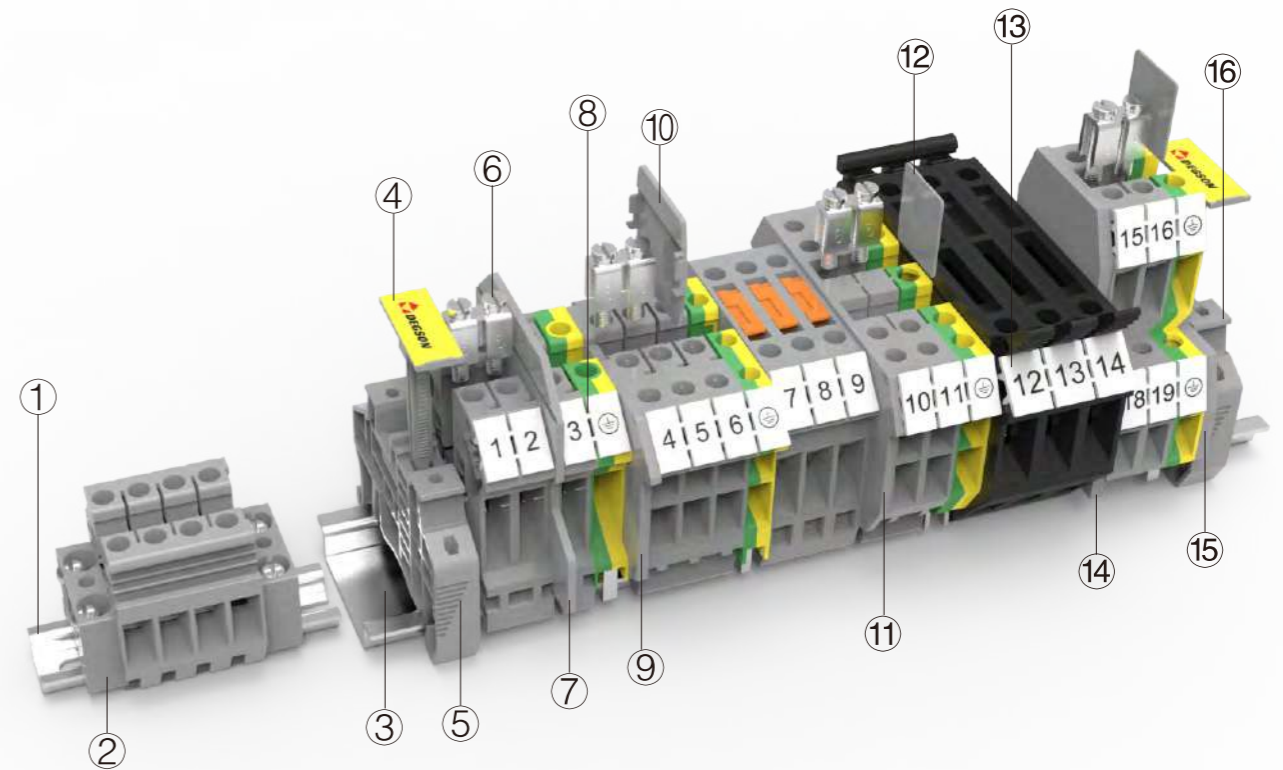
Screw connection technology 2

Feed-through, multi-conductor, multi-level, and ground terminal blocks



Order NO.	11010000123				11010000124				
Width/Length/Height(NS35/7.5&NS35/15)	mm 5.2/56/61.95(69.45)				mm 5.2/56/61.95(69.45)				
Electrical Data	IEC		UL		IEC		UL		
	IEC60947-7-1		UL1059		IEC60947-7-1		UL1059		
Rated voltage	V	500	300	500	300	500	300		
Rated current	A	24	20	24	20	24	20		
Rated cross section	mm ² /AWG	0.2-2.5	24-12	0.2-2.5	24-12	0.2-2.5	24-12		
Connection capacity	Solid		Stranded		Solid		Stranded		
	Ferrule (with and without plastic sleeve)		Ferrule (with and without plastic sleeve)		Ferrule (with and without plastic sleeve)		Ferrule (with and without plastic sleeve)		
1 conductor	mm ²	0.2-2.5	0.2-2.5	0.2-2.5	0.2-2.5	0.2-2.5	0.2-1.5		
2 flexible conductors with a TWIN ferrule	mm ²	-	-	-	0.5-1	-	0.5-1		
General Information									
Insulation material/Flammability rating (according to UL 94)	PA/V0				PA/V0				
Operation temperatures	°C (°F)	-40(-40)~105(221)				-40(-40)~105(221)			
Stripping length	mm	8-9				8-9			
Color	Grey, Red, Blue (please contact sales for other color requirements)				Grey, Red, Blue (please contact sales for other color requirements)				
Screw/Rated torque	-/N.m(lb.in)(kgf.cm)	M3/0.5(4.5)(5.1)				M3/0.5(4.5)(5.1)			

Accessories		
Ferrule	/	
Slotted screwdriver size (Blade thickness x Width)	mm 0.6x3.5	
Flexed bridge (2,3,4,5,6,8,10P)	FBRI10-5	
Insertion bridge (2-10P)	EB2-5 / EB3-5 / EB10-5	
End cover	D-PCKK2.5	
Separating disk	TS-KK3	
Partition plate	ATP-PC / ATP-DS / ATP-PC N	
Cover profile	AP3-COVER / AP3-T / AP3-T-KS	
Compensation plate	DP-PCKK2.5	
Marker	ZB5 / ZS5	
Marker support	/	
Terminal strip marker support	DLM2 / KLM3-20x8 / KLM3-44x8	
End clamp	E-PC 1100A / E-WS N	
End cap	NS35/7.5-CAP / NS35/15-CAP	



Description	No.	Remark
① DIN rail	NS15-0050-00A(H)	NS15 DIN rail
② End Clamp	E-PC-DIN15-01P-11-1000A(H)	Fixing products on NS15 DIN rail
③ DIN rail	NS35/7.5-0150-00A(H)	NS35 DIN rail
④ Marker carrier	KLM3-20x8-11-00A(H)	Suitable for E-PC-1100A(H) & E-WS N
⑤ End Clamp	E-WS N-01P-11-00A(H)	Fixing products on NS35 DIN rail
⑥ Fixed bridge	FB12-6-00A(H)	02P bridge, use for PC4
⑦ Marker	ZB6-10P-19-00A(H)	Marker is used for the side of PC4 series
⑧ End cover	D-PC4-TW-01P-11-00A(H)	End cover is used for PC4-TW
⑨ Insertion bridge	EB3-6-11-00A(H)	03P bridge, use for PC4 series
⑩ Separating disk	TS-K-01P-11-00A(H)	The Separating disk is used for PC4, PCMB4
⑪ End cover	D-PCDK2.5-01P-11-00A(H)	End cover is used for PCKD4
⑫ Separating disk	TS-KK3-01P-11-00A(H)	The Separating disk is used for PCKD4, PCKK4
⑬ Marker	ZB8-10P-19-00A(H)	Marker is used for the side of PC4-HE
⑭ End cover	D-PCKK2.5-01P-11-00A(H)	End cover is used for PCKK4
⑮ Compensation plate	DP-PCKK2.5-01P-11-00A(H)	End cover is used for PCKK4 series
⑯ End Clamp	E-WS N-01P-11-00A(H)	Fixing products on NS35 DIN rail

Circuit diagram

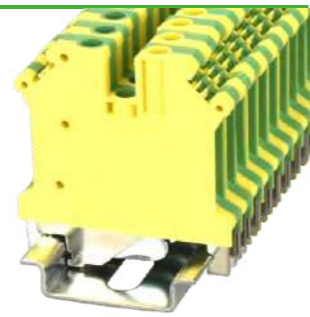
- Connection point for wiring
- Connection point for bridging
- ▢ LED light connection
- ▢ Fuse connection
- ▢ Resistance connection
- ▢ Grounding connection
- ⏏ Disconnecting
- Circuit connection point
- ⚡ Diode connection

PC Series

PC Series

Screw connection technology 2

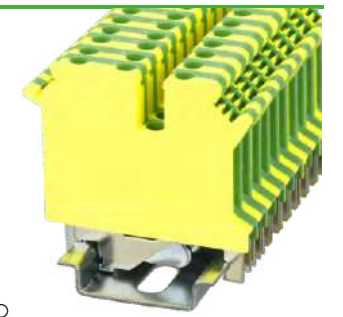
Feed-through, multi-conductor, multi-level, and ground terminal blocks


PC4

PC4-PE

Order NO.	11010000068				11010000077			
Width/Length/Height(NS35/7.5&NS35/15)	mm 6.2/42.5/47.25(54.75)				mm 6.2/42.5/47.25(54.75)			
Electrical Data	IEC IEC60947-7-1		UL UL1059		IEC IEC60947-7-2		UL UL1059	
Rated voltage	V 800		V 600		/		/	
Rated current	A 32		A 30		/		/	
Rated cross section	mm ² /AWG 0.2-4		mm ² /AWG 24-10		mm ² /AWG 0.2-4		mm ² /AWG 24-10	
Connection capacity	Solid	Stranded	Ferrule (with and without plastic sleeve)		Solid	Stranded	Ferrule (with and without plastic sleeve)	
1 conductor	mm ² 0.2-4	mm ² 0.2-4	mm ² 0.2-4	mm ² 0.2-2.5	mm ² 0.2-4	mm ² 0.2-4	mm ² 0.2-4	mm ² 0.2-2.5
2 flexible conductors with a TWIN ferrule	mm ² -	mm ² -	mm ² -	mm ² 0.25-2.5	mm ² -	mm ² -	mm ² -	mm ² 0.25-2.5
General Information								
Insulation material/Flammability rating (according to UL 94)	PA/V0				PA/V0			
Operation temperatures	°C (°F) -40(-40)~105(221)				°C (°F) -40(-40)~105(221)			
Stripping length	mm 8-9				mm 8-9			
Color	Grey, Red, Blue (please contact sales for other color requirements)				Yellow and green			
Screw/Rated torque	-/N.m(lb.in)/(kgf.cm) M3/0.5(4.5)(5.1)				-/N.m(lb.in)/(kgf.cm) M3/0.5(4.5)(5.1)			
Accessories								
Ferrule	/				/			
Slotted screwdriver size (Blade thickness x Width)	mm 0.6x3.5				mm 0.6x3.5			
Flexed bridge (2,3,5,7,8,10P)	FBI10-6				/			
Insertion bridge (2-10P)	EB2-6 / EB3-6 / EB10-6				EB2-6 / EB3-6 / EB10-6			
End cover	D-PC2.5				/			
Separating disk	TS-K				/			
Partition plate	ATP-PC / ATP-DS / ATP-PC N				ATP-PC / ATP-DS / ATP-PC N			
Cover profile	AP3-COVER / AP3-T / AP3-T-KS				AP3-COVER / AP3-T / AP3-T-KS			
Marker	ZB6 / ZS6				ZB6 / ZS6			
Marker support	/				/			
Terminal strip marker support	DLM2 / KLM3-20x8 / KLM3-44x8				DLM2 / KLM3-20x8 / KLM3-44x8			
End clamp	E-PC 1100A / E-WS N				E-PC 1100A / E-WS N			
End cap	NS35/7.5-CAP NS35/15-CAP				NS35/7.5-CAP NS35/15-CAP			

Screw connection technology 2

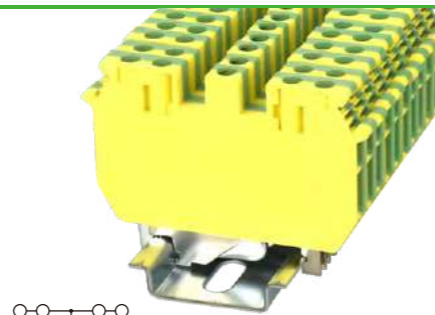
Feed-through, multi-conductor, multi-level, and ground terminal blocks


PC4-TW

PC4-TW-PE

Order NO.	11010000070				11010000078			
Width/Length/Height(NS35/7.5&NS35/15)	mm 6.2/50.1/47.25(54.75)				mm 6.2/50.1/47.25(54.75)			
Electrical Data	IEC IEC60947-7-1		UL UL1059		IEC IEC60947-7-2		UL UL1059	
Rated voltage	V 500		V 300		/		/	
Rated current	A 32		A 30		/		/	
Rated cross section	mm ² /AWG 0.2-4		mm ² /AWG 24-12		mm ² /AWG 0.2-4		mm ² /AWG 24-12	
Connection capacity	Solid	Stranded	Ferrule (with and without plastic sleeve)		Solid	Stranded	Ferrule (with and without plastic sleeve)	
1 conductor	mm ² 0.2-4	mm ² 0.2-4	mm ² 0.2-4	mm ² 0.2-2.5	mm ² 0.2-4	mm ² 0.2-4	mm ² 0.2-4	mm ² 0.2-2.5
2 flexible conductors with a TWIN ferrule	mm ² -	mm ² -	mm ² -	mm ² 0.5-1.5	mm ² -	mm ² -	mm ² -	mm ² 0.5-1.5
General Information								
Insulation material/Flammability rating (according to UL 94)	PA/V0				PA/V0			
Operation temperatures	°C (°F) -40(-40)~105(221)				°C (°F) -40(-40)~105(221)			
Stripping length	mm 8-10				mm 8-10			
Color	Grey, Red, Blue (please contact sales for other color requirements)				Yellow and green			
Screw/Rated torque	-/N.m(lb.in)/(kgf.cm) M3/0.5(4.5)(5.1)				-/N.m(lb.in)/(kgf.cm) M3/0.5(4.5)(5.1)			
Accessories								
Ferrule	/				/			
Slotted screwdriver size (Blade thickness x Width)	mm 0.6x3.5				mm 0.6x3.5			
Flexed bridge (2,3,5,7,8,10P)	FBI10-6				/			
Insertion bridge (2-10P)	EB2-6 / EB3-6 / EB10-6				EB2-6 / EB3-6 / EB10-6			
End cover	D-PC4-TW				/			
Separating disk	TS-K				/			
Partition plate	ATP-PC / ATP-DS / ATP-PC N				ATP-PC / ATP-DS / ATP-PC N			
Cover profile	AP3-COVER / AP3-T / AP3-T-KS				AP3-COVER / AP3-T / AP3-T-KS			
Marker	ZB6 / ZS6				ZB6 / ZS6			
Marker support	/				/			
Terminal strip marker support	DLM2 / KLM3-20x8 / KLM3-44x8				DLM2 / KLM3-20x8 / KLM3-44x8			
End clamp	E-PC 1100A / E-WS N				E-PC 1100A / E-WS N			
End cap	NS35/7.5-CAP NS35/15-CAP				NS35/7.5-CAP NS35/15-CAP			

Screw connection technology 2

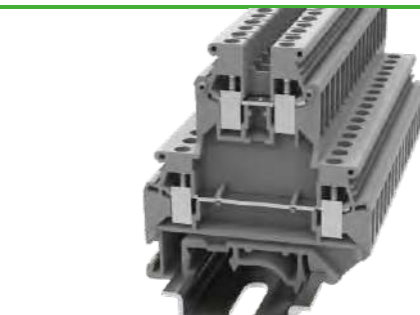
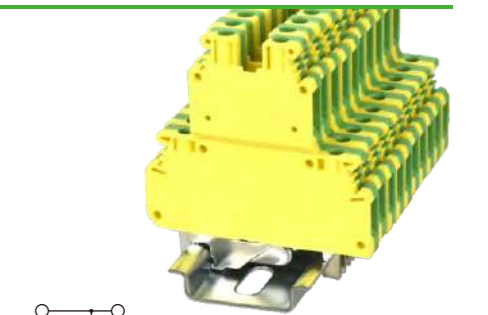
Feed-through, multi-conductor, multi-level, and ground terminal blocks


PCDK4

PCDK4-PE

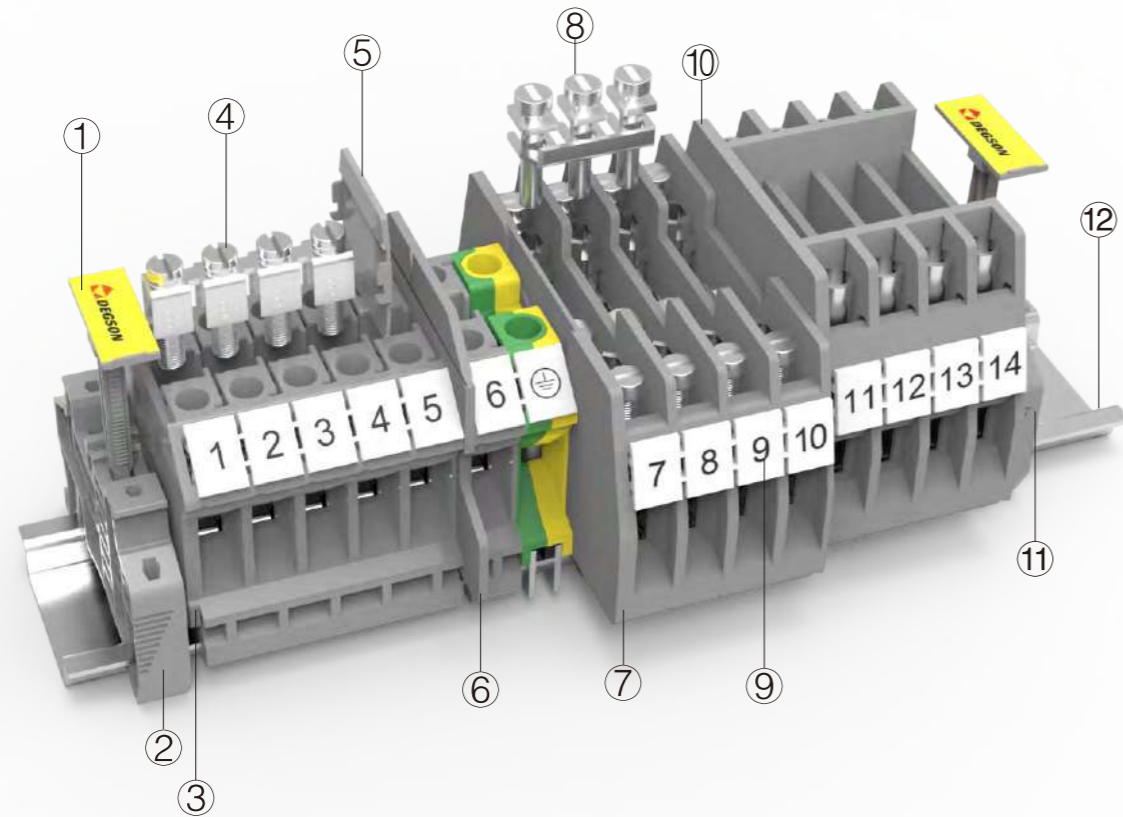

Order NO.	11010000117				11010000120			
Width/Length/Height(NS35/7.5&NS35/15)	mm 6.2/63.5/47.25(54.75)				mm 6.2/63.5/47.25(54.75)			
Electrical Data	IEC IEC60947-7-1		UL UL1059		IEC IEC60947-7-2		UL UL1059	
Rated voltage	V 630		300		/		/	
Rated current	A 32		30		/		/	
Rated cross section	mm ² /AWG 0.2-4		24-10		0.2-4		24-10	
Connection capacity	Solid	Stranded	Ferrule (with and without plastic sleeve)		Solid	Stranded	Ferrule (with and without plastic sleeve)	
1 conductor	mm ² 0.2-4	0.2-4	0.2-4	0.2-2.5	0.2-4	0.2-4	0.2-4	0.2-2.5
2 flexible conductors with a TWIN ferrule	mm ² -	-	-	0.5-1	-	-	-	0.5-1
General Information								
Insulation material/Flammability rating (according to UL 94)	PA/V0				PA/V0			
Operation temperatures	°C (°F) -40(-40)~105(221)				-40(-40)~105(221)			
Stripping length	mm 7-8				7-8			
Color	Grey, Red, Blue (please contact sales for other color requirements)				Yellow and green			
Screw/Rated torque	-N.m(lb.in)(kgf.cm) M3/0.5(4.5)(5.1)				M3/0.5(4.5)(5.1)			
Accessories								
Ferrule	/				/			
Slotted screwdriver size (Blade thickness x Width)	mm 0.6x3.5				0.6x3.5			
Flexed bridge (2,3,5,7,8,10P)	FBI10-6				/			
Insertion bridge (2-10P)	EB2-6 / EB3-6 / EB10-6				EB2-6 / EB3-6 / EB10-6			
End cover	D-PCDK2.5				/			
Separating disk	TS-KK3				/			
Partition plate	ATP-PC / ATP-DS / ATP-PC N				ATP-PC / ATP-DS / ATP-PC N			
Cover profile	AP3-COVER / AP3-T / AP3-T-KS				AP3-COVER / AP3-T / AP3-T-KS			
Marker	ZB6 / ZS6				ZB6 / ZS6			
Marker support	/				/			
Terminal strip marker support	DLM2 / KLM3-20x8 / KLM3-44x8				DLM2 / KLM3-20x8 / KLM3-44x8			
End clamp	E-PC 1100A / E-WS N				E-PC 1100A / E-WS N			
End cap	NS35/7.5-CAP NS35/15-CAP				NS35/7.5-CAP NS35/15-CAP			

Screw connection technology 2

Feed-through, multi-conductor, multi-level, and ground terminal blocks

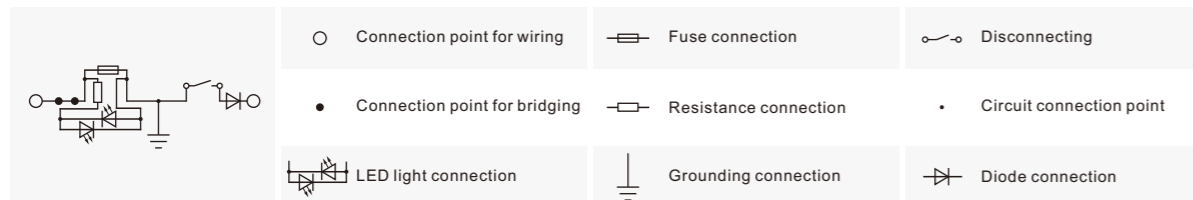

PCKK4

PCKK4-PE


Order NO.	11010000135				11010000139			
Width/Length/Height(NS35/7.5&NS35/15)	mm 6.2/56/61.95(69.45)				mm 6.2/56/61.95(69.45)			
Electrical Data	IEC IEC60947-7-1		UL UL1059		IEC IEC60947-7-2		UL UL1059	
Rated voltage	V 500		300		/		/	
Rated current	A 32		30		/		/	
Rated cross section	mm ² /AWG 0.2-4		26-10		0.2-4		26-10	
Connection capacity	Solid	Stranded	Ferrule (with and without plastic sleeve)		Solid	Stranded	Ferrule (with and without plastic sleeve)	
1 conductor	mm ² 0.2-4	0.2-4	0.2-4	0.2-2.5	0.2-4	0.2-4	0.2-4	0.2-2.5
2 flexible conductors with a TWIN ferrule	mm ² -	-	-	0.5-1.5	-	-	-	0.5-1.5
General Information								
Insulation material/Flammability rating (according to UL 94)	PA/V0				PA/V0			
Operation temperatures	°C (°F) -40(-40)~105(221)				-40(-40)~105(221)			
Stripping length	mm 8				8			
Color	Grey, Red, Blue (please contact sales for other color requirements)				Yellow and green			
Screw/Rated torque	-N.m(lb.in)(kgf.cm) M3/0.5(4.5)(5.1)				M3/0.5(4.5)(5.1)			
Accessories								
Ferrule	/				/			
Slotted screwdriver size (Blade thickness x Width)	mm 0.6x3.5				0.6x3.5			
Flexed bridge (2,3,5,7,8,10P)	FBI10-6				/			
Insertion bridge (2-10P)	EB2-6 / EB3-6 / EB10-6				EB2-5 / EB3-5 / EB10-5			
End cover	D-PCKK2.5				/			
Separating disk	TS-KK3				/			
Partition plate	ATP-PC / ATP-DS / ATP-PC N				ATP-PC / ATP-DS / ATP-PC N			
Cover profile	AP3-COVER / AP3-T / AP3-T-KS				AP3-COVER / AP3-T / AP3-T-KS			
Compensation plate	DP-PCKK2.5				DP-PCKK2.5			
Marker	ZB6 / ZS6				ZB6 / ZS6			
Marker support	/				/			
Terminal strip marker support	DLM2 / KLM3-20x8 / KLM3-44x8				DLM2 / KLM3-20x8 / KLM3-44x8			
End clamp	E-PC 1100A / E-WS N				E-WS / E-PC / E-MK / E-WS N			
End cap	NS35/7.5-CAP NS35/15-CAP				NS35/7.5-CAP NS35/15-CAP			



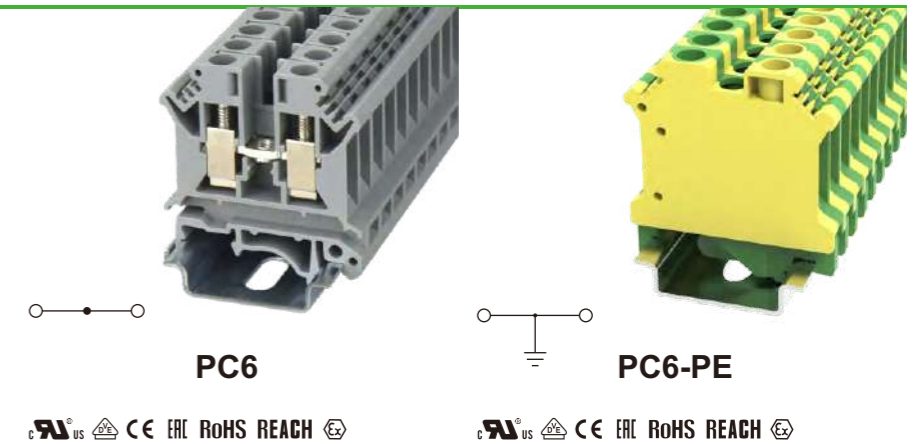
Description	No.	Remark
① Marker carrier	KLM3-20x8-11-00A(H)	Suitable for E-PC-1100A(H) & E-WS N
② End Clamp	E-WS N-01P-11-00A(H)	Fixing products on NS35 DIN rail
③ End cover	D-PC2.5-01P-11-00A(H)	End cover is used for PC6
④ Fixed bridge	FB14-8-00A(H)	04P bridge, use for Pc6
⑤ Insertion bridge	ATP-PC-01P-11-00A(H)	03P bridge, use for Pc6
⑥ Separating disk	TS-K-01P-11-00A(H)	The Separating disk is used for PC6
⑦ End cover	D-PCTK6-01P-11-00A(H)	End cover is used for PCTK6
⑧ Fixed bridge	FB3-RTK/S-00A(H)	03P bridge, use for PCTK6
⑨ Marker	ZB8-10P-19-00A(H)	Marker is used for the side of PC6 series
⑩ End cover	D-PCTK6-BEN-01P-11-00A(H)	End cover is used for PCTK6-BEN
⑪ End Clamp	E-WS N-01P-11-00A(H)	Fixing products on NS35 DIN rail
⑫ DIN rail	NS35/7.5-0150-00A(H)	NS35 DIN rail

Circuit diagram

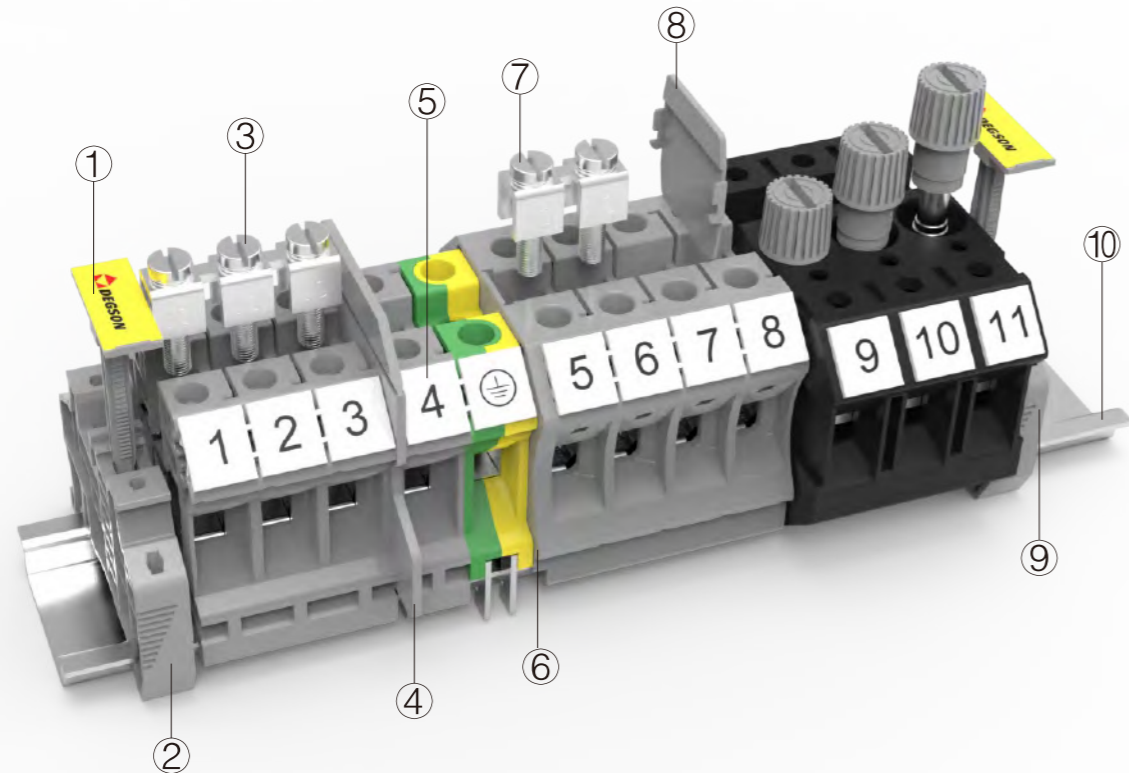


Screw connection technology 2

Feed-through and ground terminal blocks

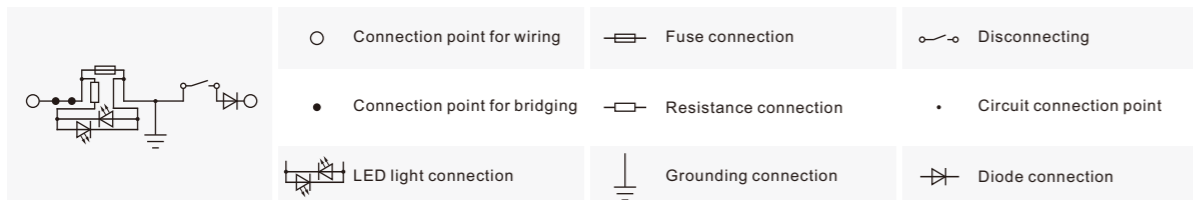


Order NO.	1101000092	1101000097							
Width/Length/Height(NS35/7.5&NS35/15) mm	8.2/42.5/47.25(54.75)	8.2/42.5/47.25(54.75)							
Electrical Data	IEC IEC60947-7-1	UL UL1059	IEC IEC60947-7-2	UL UL1059					
Rated voltage	V	800	600	/	/				
Rated current	A	41	50	/	/				
Rated cross section	mm ² / AWG	0.2-6	24-8	0.2-6	24-8				
Connection capacity		Solid	Stranded	Ferrule (with and without plastic sleeve)	Solid	Stranded	Ferrule (with and without plastic sleeve)		
1 conductor	mm ²	0.2-6	0.2-6	0.2-6	0.2-2.5	0.2-6	0.2-6	0.2-6	0.2-2.5
2 flexible conductors with a TWIN ferrule	mm ²	-	-	-	0.5-4	-	-	-	0.5-4
General Information									
Insulation material/Flammability rating (according to UL 94)		PA/V0				PA/V0			
Operation temperatures	°C (°F)	-40(-40)~105(221)				-40(-40)~105(221)			
Stripping length	mm	8-9				8-9			
Color		Grey, Red, Blue (please contact sales for other color requirements)				Yellow and green			
Screw/Rated torque	-/N.m(lb.in)(kgf.cm)	M3/0.5(4.5)(5.1)				M3/0.5(4.5)(5.1)			
Accessories									
Ferrule		/				/			
Slotted screwdriver size (Blade thickness x Width)	mm	1x4				1x4			
Flexed bridge (2,3,4,5,6,8,10P)		FB10-8				/			
Insertion bridge(2-10P)		EB2-8 / EB3-8 / EB10-8				EB2-8 / EB3-8 / EB10-8			
End cover		D-PC2.5				/			
Separating disk		TS-K				/			
Partition plate		ATP-PC / ATP-DS / ATP-PC N				ATP-PC / ATP-DS / ATP-PC N			
Cover profile		AP3-COVER / AP3-T / AP3-T-KS				AP3-COVER / AP3-T / AP3-T-KS			
Marker		ZB8 / ZS8				ZB8 / ZS8			
Marker support		/				/			
Terminal strip marker support		DLM2 / KLM3-20x8 / KLM3-44x8				DLM2 / KLM3-20x8 / KLM3-44x8			
End clamp		E-PC 1100A / E-WS N				E-PC 1100A / E-WS N			
End cap		NS35/7.5-CAP NS35/15-CAP				NS35/7.5-CAP NS35/15-CAP			



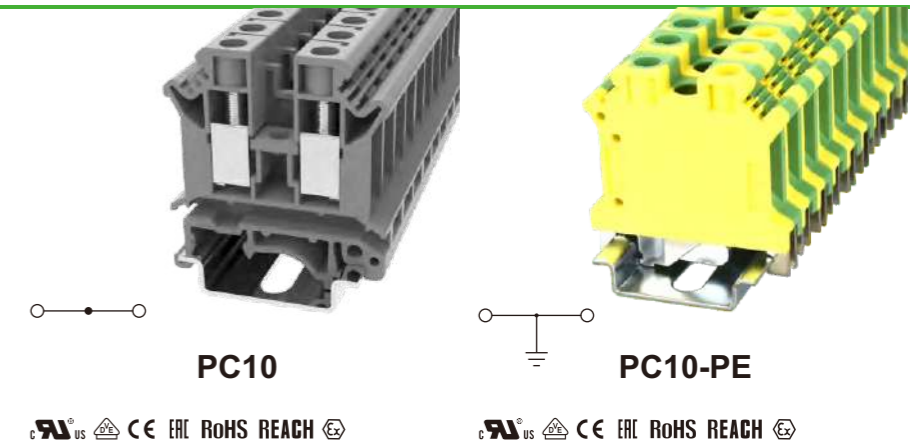
Description	No.	Remark
① Marker carrier	KLM3-20x8-11-00A(H)	Suitable for E-PC-1100A(H) & E-WS N
② End Clamp	E-WS N-01P-11-00A(H)	Fixing products on NS35 DIN rail
③ Fixed bridge	FBI3-10-00A(H)	03P bridge, use for PC10
④ Partition plate	ATP-PC-01P-11-00A(H)	End cover is used for PC10
⑤ Marker	ZB10-10P-19-00A(H)	Marker is used for the side of Pc10 series
⑥ End cover	D-PC10-01P-11-105A(H)	End cover is used for PC10-105A(H)
⑦ Fixed bridge	FBI2-10-00A(H)	02P bridge, use for PC10-105A(H)
⑧ Separating disk	TS-K-01P-11-00A(H)	The Separating disk is used for PC10 series
⑨ End Clamp	E-WS N-01P-11-00A(H)	Fixing products on NS35 DIN rail
⑩ DIN rail	NS35/7.5-0150-00A(H)	NS35 DIN rail

Circuit diagram

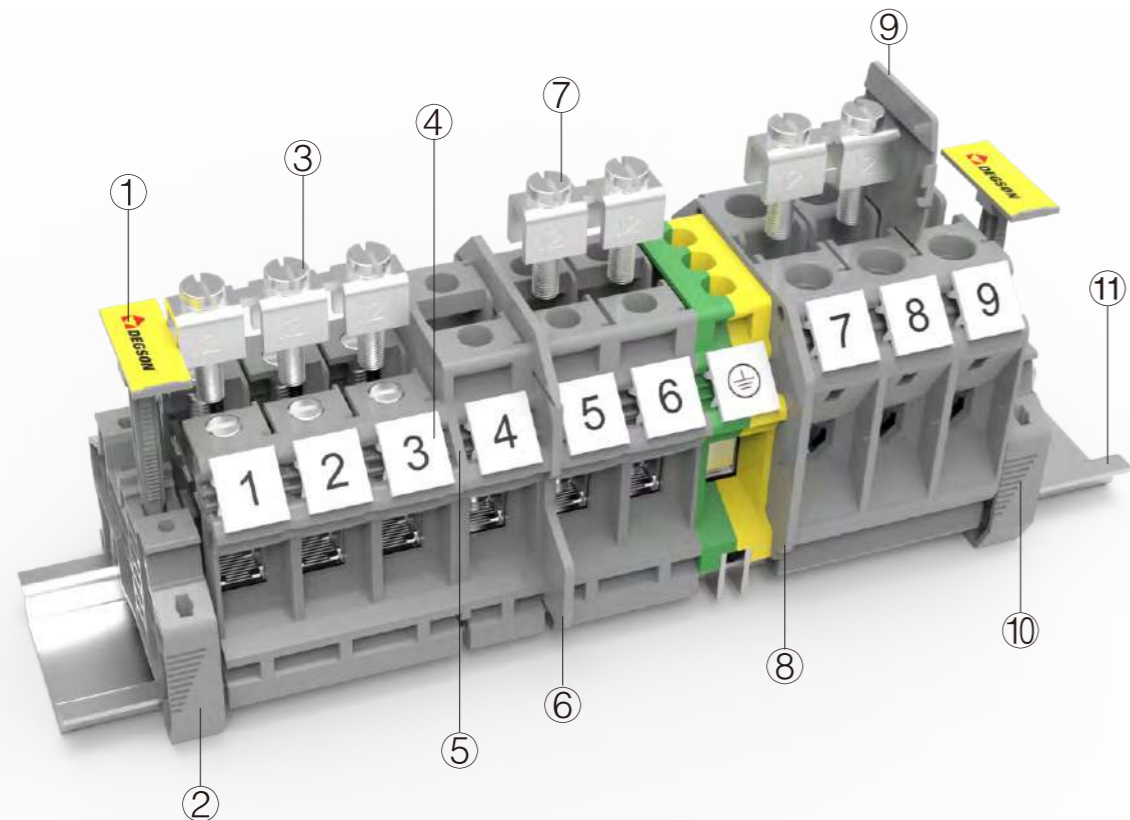


Screw connection technology 2

Feed-through and ground terminal blocks

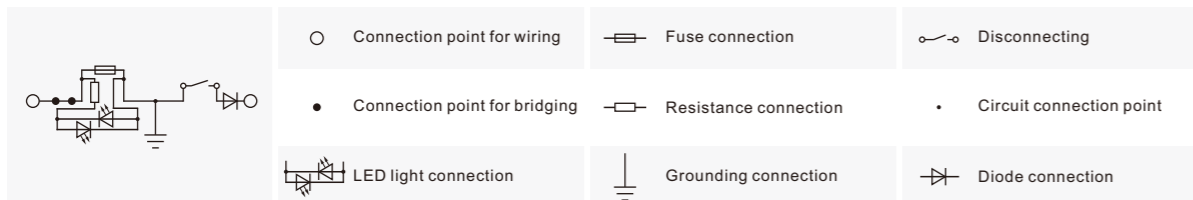


Order NO.	11010000001				11010000006			
Width/Length/Height(NS35/7.5&NS35/15)	mm				10.2/42.5/47.25(54.75)			
Electrical Data	IEC		UL		IEC		UL	
	IEC60947-7-1		UL1059		IEC60947-7-2		UL1059	
Rated voltage	V		800		600		/	
Rated current	A		57		65		/	
Rated cross section	mm ² / AWG		0.2-10		20-6		0.2-10 20-6	
Connection capacity			Solid	Stranded	Ferrule (with and without plastic sleeve)			
	1 conductor		mm ²	0.2-10	0.2-10	0.2-10	0.2-10	0.2-10
2 flexible conductors with a TWIN ferrule		mm ²	-	-	-	0.5-6	-	0.5-6
General Information								
Insulation material/Flammability rating (according to UL 94)		PA/V0				PA/V0		
Operation temperatures		°C (°F)		-40(-40)~105(221)		-40(-40)~105(221)		
Stripping length		mm		9-10		9-10		
Color		Grey, Red, Blue (please contact sales for other color requirements)				Yellow and green		
Screw/Rated torque		-/N.m(lb.in)(kgf.cm)		M4/1.2(10.5)(12.24)		M4/1.2(10.5)(12.24)		
Accessories								
Ferrule		/				/		
Slotted screwdriver size (Blade thickness x Width)		mm		1x4		1x4		
Flexed bridge (2,3,4,5,10P)				FBI10-10		/		
Insertion bridge(2-10P)				EB2-10 / EB3-10 / EB10-10		EB2-10 / EB3-10 / EB10-10		
End cover				D-PC2.5		/		
Separating disk				TS-K		/		
Partition plate				ATP-PC / ATP-DS / ATP-PC N		ATP-PC / ATP-DS / ATP-PC N		
Cover profile				AP3-COVER / AP3-T / AP3-T-KS		AP3-COVER / AP3-T / AP3-T-KS		
Marker				ZB10 / ZS10		ZB10 / ZS10		
Marker support				/		/		
Terminal strip marker support				DLM2 / KLM3-20x8 / KLM3-44x8		DLM2 / KLM3-20x8 / KLM3-44x8		
End clamp				E-PC 1100A / E-WS N		E-PC 1100A / E-WS N		
End cap				NS35/7.5-CAP NS35/15-CAP		NS35/7.5-CAP NS35/15-CAP		



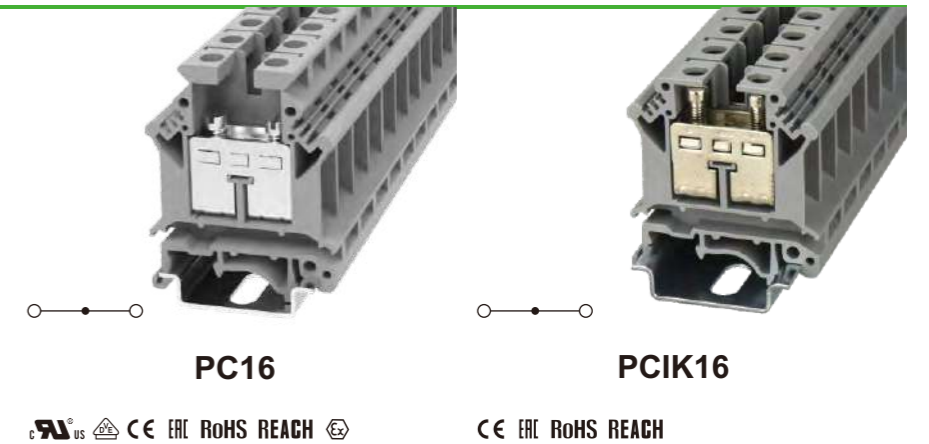
Description	No.	Remark
① Marker carrier	KLM3-20x8-11-00A(H)	Suitable for E-PC-1100A(H) & E-WS N
② End Clamp	E-WS N-01P-11-00A(H)	Fixing products on NS35 DIN rail
③ End cover	D-PCIK16-01P-11-00A(H)	End cover is used for PCIK16
④ Fixed bridge	FBI3-12-00A(H)	03P bridge, use for PCIK16
⑤ Marker	ZT12-10P-19-00A(H)	Marker is used for the side of PCIK16
⑥ End cover	D-PC16-01P-11-00A(H)	End cover is used for PC16
⑦ Partition plate	ATP-PC-01P-11-00A(H)	End cover is used for PC16
⑧ Fixed bridge	FBI2-12-00A(H)	02P bridge, use for PC16
⑨ End cover	D-PC16-01P-11-105A(H)	End cover is used for PC16-105A(H)
⑩ Separating disk	TS-K-01P-11-00A(H)	The Separating disk is used for PC16 series
⑪ End Clamp	E-WS N-01P-11-00A(H)	Fixing products on NS35 DIN rail
⑫ DIN rail	NS35/7.5-0150-00A(H)	NS35 DIN rail

Circuit diagram



Screw connection technology 2

Feed-through and ground terminal blocks



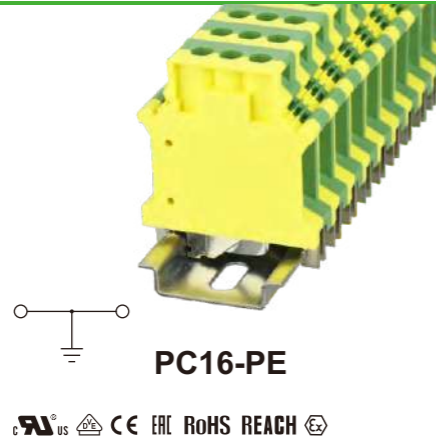
Order NO.	1101000020				11010000121			
Width/Length/Height(NS35/7.5&NS35/15)	mm				mm			
Electrical Data	IEC IEC60947-7-1		UL UL1059		IEC IEC60947-7-1		UL UL1059	
Rated voltage	V		V		V		V	
Rated current	A		A		A		A	
Rated cross section	mm ² /AWG		mm ² /AWG		mm ² /AWG		mm ² /AWG	
Connection capacity	Solid	Stranded	Ferrule (with and without plastic sleeve)		Solid	Stranded	Ferrule (with and without plastic sleeve)	
1 conductor	mm ²	mm ²	mm ²	mm ²	mm ²	mm ²	mm ²	mm ²
2 flexible conductors with a TWIN ferrule	mm ²	mm ²	mm ²	mm ²	mm ²	mm ²	mm ²	mm ²

General Information		
Insulation material/Flammability rating (according to UL 94)	PA/V0	
Operation temperatures	°C (°F)	
Stripping length	mm	
Color	(please contact sales for other color requirements)	
Screw/Rated torque	-/N.m(lb.in)/(kgf.cm)	

Accessories		
Ferrule	/	
Slotted screwdriver size (Blade thickness x Width)	mm	
Flexed bridge (2,10P)	mm	
Insertion bridge(2-10P)	mm	
End cover	mm	
Separating disk	mm	
Partition plate	mm	
Cover profile	mm	
Marker	mm	
Marker support	mm	
Terminal strip marker support	mm	
End clamp	mm	
End cap	mm	

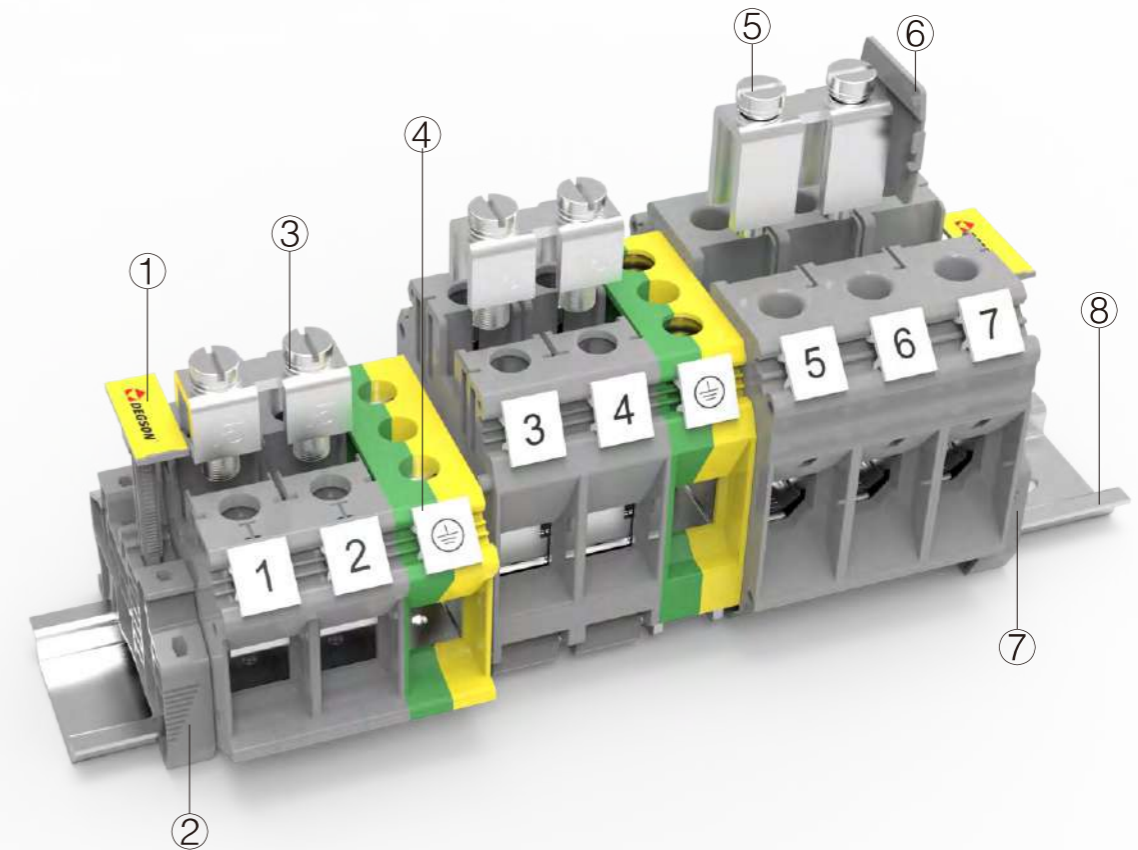
Screw connection technology 2

Feed-through and ground terminal blocks



Order NO.	1101000028			
Width/Length/Height(NS35/7.5&NS35/15)	mm	12.2/42.5/54.05(61.55)		
Electrical Data		IEC IEC60947-7-2	UL UL1059	
Rated voltage	V	/	/	
Rated current	A	/	/	
Rated cross section	mm ² /AWG	0.2-16	12-4	
Connection capacity		Solid	Stranded	Ferrule (with and without plastic sleeve)
1 conductor	mm ²	0.2-16	0.2-16	0.2-16
2 flexible conductors with a TWIN ferrule	mm ²	-	-	0.5-6
General Information				
Insulation material/Flammability rating (according to UL 94)		PA/V0		
Operation temperatures	°C (°F)	-40(-40)~105(221)		
Stripping length	mm	10-11		
Color		Yellow and green		
Screw/Rated torque	-/N.m(lb.in)/(kgf.cm)	M4/1.2(10.5)(12.24)		

Accessories		
Ferrule		/
Slotted screwdriver size (Blade thickness x Width)	mm	1x4
Fixed bridge		/
Insertion bridge (2-10P)		EB10-12
End cover		/
Separating disk		/
Partition plate		ATP-PC / ATP-DS / ATP-PC N
Cover profile		AP3-COVER / AP3-T / AP3-T-KS
Marker		ZT12 / ZS12
Marker support		/
Terminal strip marker support		DLM2 / KLM3-20x8 / KLM3-44x8
End clamp		E-PC 1100A / E-WS N
End cap		NS35/7.5-CAP NS35/15-CAP



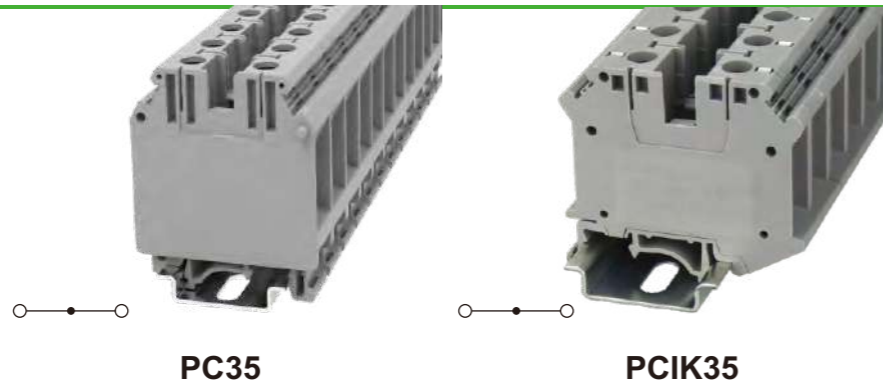
Description	No.	Remark
① Marker carrier	KLM3-20x8-11-00A(H)	Suitable for E-PC-1100A(H) & E-WS N
② End Clamp	E-WS N-01P-11-00A(H)	Fixing products on NS35 DIN rail
③ Fixed bridge	FBI3-15-00A(H)	03P bridge, use for PCIK35
④ Marker	ZT12-10P-19-00A(H)	Marker is used for the side of PCIK35
⑤ Fixed bridge	FBI2-16-00A(H)	02P bridge, use for PC35-105A(H)
⑥ Separating disk	TS-K-01P-11-00A(H)	The Separating disk is used for PC35 series
⑦ End Clamp	E-WS N-01P-11-00A(H)	Fixing products on NS35 DIN rail
⑧ DIN rail	NS35/7.5-0150-00A(H)	NS35 DIN rail

Circuit diagram

	Connection point for wiring		Fuse connection		Disconnecting
	Connection point for bridging		Resistance connection		Circuit connection point
	LED light connection		Grounding connection		Diode connection

Screw connection technology 2

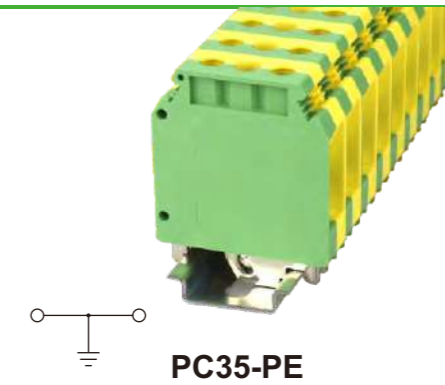
Feed-through and ground terminal blocks



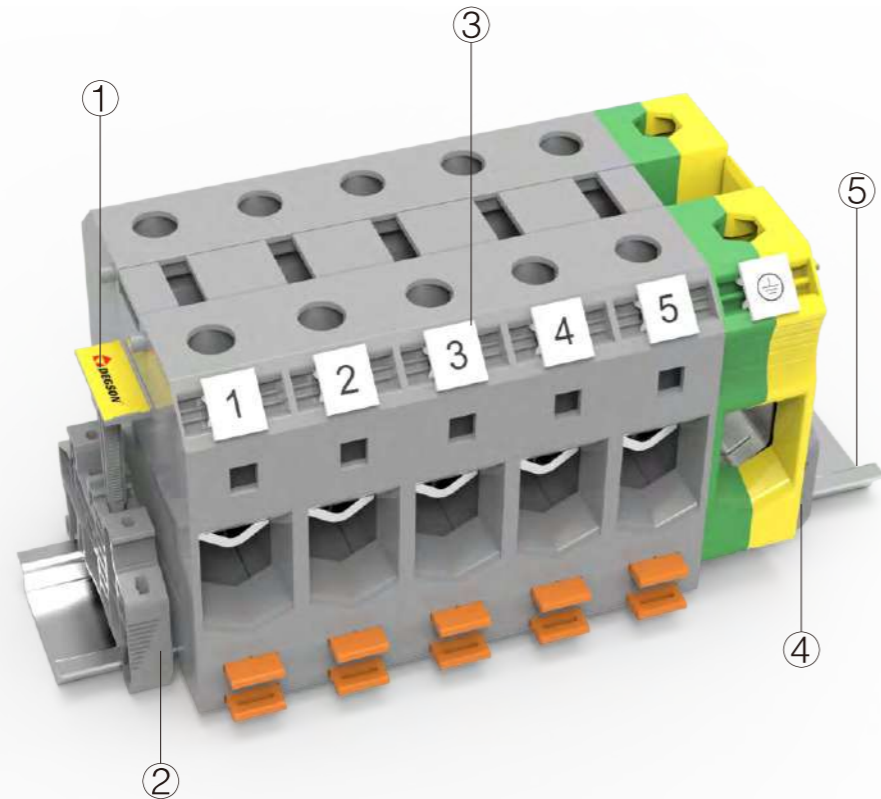
Order NO.	1101000059				1101000122			
Width/Length/Height(NS35/7.5&NS35/15)	mm 15.2/50/63.25(70.75)				mm 15.2/55/51.25(58.75)			
Electrical Data	IEC IEC60947-7-1		UL UL1059		IEC IEC60947-7-1		UL UL1059	
Rated voltage	V 1000		600		800		600	
Rated current	A 125		150		125		85	
Rated cross section	mm ² /AWG 0.2-35		18- 1/0		0.2-35		18- 1/0	
Connection capacity	Solid	Stranded	Ferrule (with and without plastic sleeve)		Solid	Stranded	Ferrule (with and without plastic sleeve)	
1 conductor	mm ² 0.2-35	0.2-35	0.2-35	0.2-35	0.2-35	0.2-35	0.2-35	0.2-35
2 flexible conductors with a TWIN ferrule	mm ² -	-	-	0.75-10	-	-	-	6.0-10
General Information								
Insulation material/Flammability rating (according to UL 94)	PA/V0				PA/V0			
Operation temperatures	°C (°F) -40(-40)~105(221)				-40(-40)~105(221)			
Stripping length	mm 15-16				15-16			
Color	Grey, Red, Blue (please contact sales for other color requirements)				Grey, Red, Blue (please contact sales for other color requirements)			
Screw/Rated torque	-/N.m(lb.in)(kgf.cm) M6/2.5(22.2)(25)				M6/2.5(22.2)(25)			
Accessories								
Ferrule	/				/			
Slotted screwdriver size (Blade thickness x Width)	mm 1x6.5				1x6.5			
Flexed bridge (2,3,10P)	FBI2-15 FBI3-15				FBI2-15 FBI3-15			
Insertion bridge (2-10P)	EB10-15				EB10-15			
End cover	/				/			
Separating disk	/				/			
Partition plate	ATP-PC / ATP-DS / ATP-PC N				ATP-PC / ATP-DS / ATP-PC N			
Cover profile	AP3-COVER / AP3-T / AP3-T-KS				AP3-COVER / AP3-T / AP3-T-KS			
Marker	ZT12 / ZS12				ZT12 / ZS12			
Marker support	/				/			
Terminal strip marker support	DLM2 / KLM3-20x8 / KLM3-44x8				DLM2 / KLM3-20x8 / KLM3-44x8			
End clamp	E-PC 1100A / E-WS N				E-PC 1100A / E-WS N			
End cap	NS35/7.5-CAP NS35/15-CAP				NS35/7.5-CAP NS35/15-CAP			

Screw connection technology 2

Feed-through and ground terminal blocks

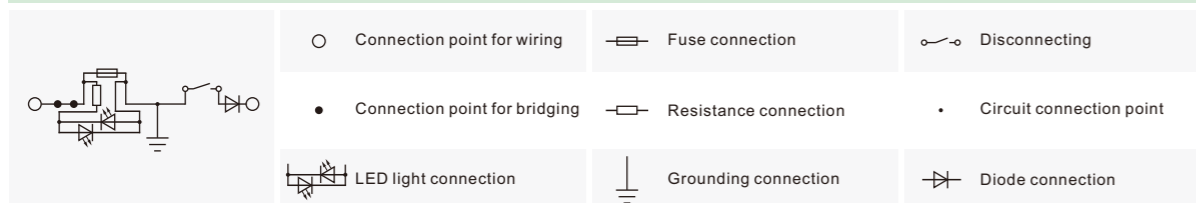


Order NO.	1101000067			
Width/Length/Height(NS35/7.5&NS35/15)	mm 15.2/50/63.25(70.75)			
Electrical Data	IEC IEC60947-7-2		UL UL1059	
Rated voltage	V /		/	
Rated current	A /		/	
Rated cross section	mm ² /AWG 0.2-35		1/0-18	
Connection capacity	Solid	Stranded	Ferrule (with and without plastic sleeve)	
1 conductor	mm ² 0.2-35	0.2-35	0.2-35	0.2-35
2 flexible conductors with a TWIN ferrule	mm ² -	-	-	0.75-10
General Information				
Insulation material/Flammability rating (according to UL 94)	PA/V0			
Operation temperatures	°C (°F) -40(-40)~105(221)			
Stripping length	mm 18-19			
Color	Yellow and green			
Screw/Rated torque	-/N.m(lb.in)(kgf.cm) M6/2.5(22.2)(25)			
Accessories				
Ferrule	/			
Slotted screwdriver size (Blade thickness x Width)	mm 1x6.5			
Flexed bridge (2,3,10P)	/			
Insertion bridge (2-10P)	EB10-15			
End cover	/			
Separating disk	/			
Partition plate	ATP-PC / ATP-DS / ATP-PC N			
Cover profile	AP3-COVER / AP3-T / AP3-T-KS			
Marker	ZT12 / ZS12			
Marker support	/			
Terminal strip marker support	DLM2 / KLM3-20x8 / KLM3-44x8			
End clamp	E-PC 1100A / E-WS N			
End cap	NS35/7.5-CAP NS35/15-CAP			



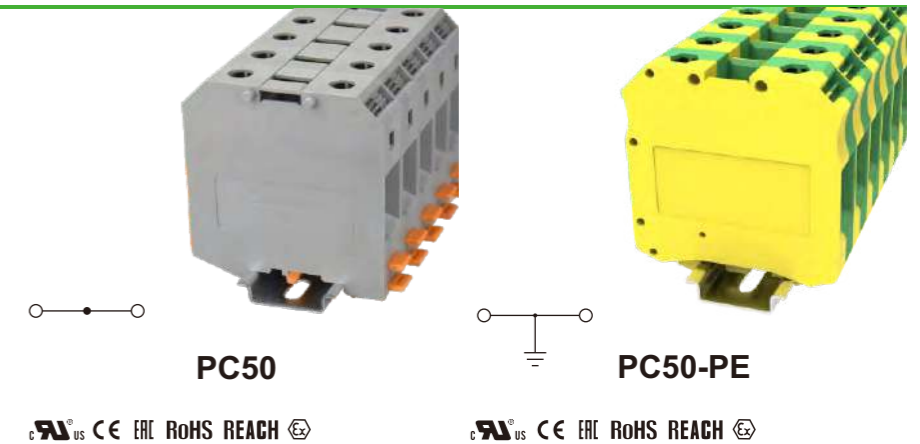
Description	No.	Remark
① Marker carrier	KLM3-20x8-11-00A(H)	Suitable for E-PC-1100A(H) & E-WS N
② End Clamp	E-WS N-01P-11-00A(H)	Fixing products on NS35 DIN rail
③ Marker	ZT12-10P-19-00A(H)	Marker is used for the side of PC50 series
④ End Clamp	E-WS N-01P-11-00A(H)	Fixing products on NS35 DIN rail
⑤ DIN rail	NS35/7.5-0150-00A(H)	NS35 DIN rail

Circuit diagram



Screw connection technology 2

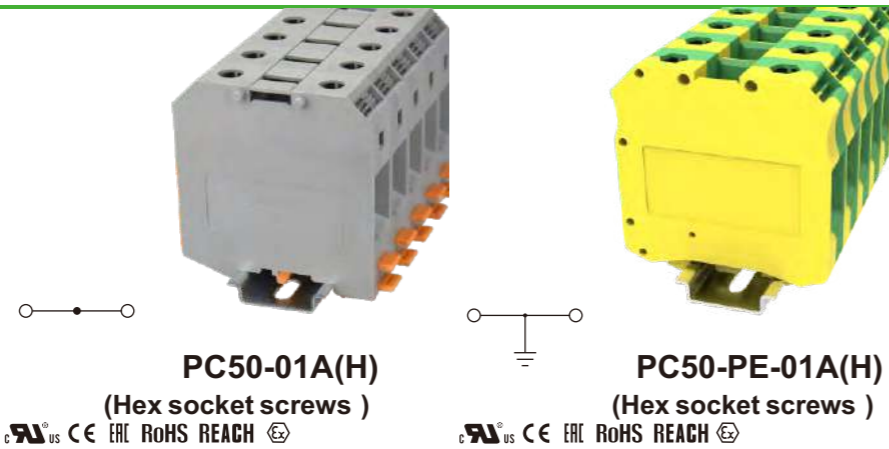
Feed-through and ground terminal blocks



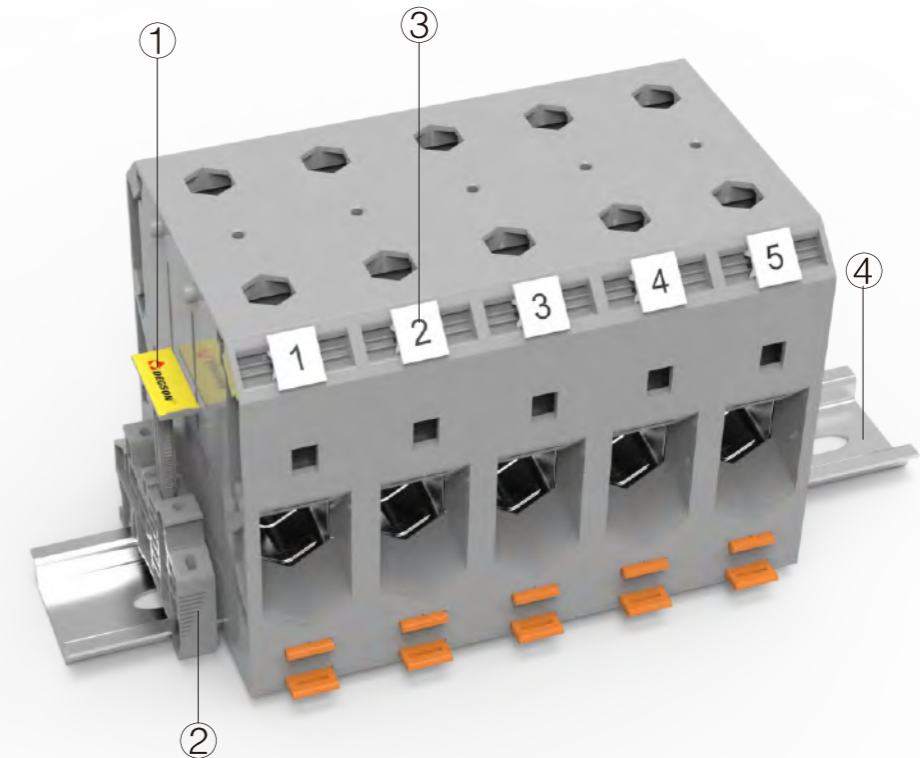
Order NO.	1101000085	1101000090
Width/Length/Height(NS35/7.5&NS35/15) mm	20/70.45/75.94(83.44)	20/70.45/75.94(83.44)
Electrical Data	IEC IEC60947-7-1	UL UL1059
Rated voltage V	1000	600
Rated current A	150	125
Rated cross section mm ² /AWG	16-50	6-1/0
Connection capacity	Solid Stranded Ferrule (with and without plastic sleeve)	Solid Stranded Ferrule (with and without plastic sleeve)
1 conductor mm ²	16-50 16-50 16-50 16-50	16-50 16-50 16-50 16-50
2 flexible conductors with a TWIN ferrule mm ²	- - - 10-16	- - - 10-16
General Information		
Insulation material/Flammability rating (according to UL 94)	PA/V0	PA/V0
Operation temperatures °C (°F)	-40(-40)~105(221)	-40(-40)~105(221)
Stripping length mm	22-23	22-23
Color	Grey, Red, Blue (please contact sales for other color requirements)	Yellow and green
Screw/Rated torque -/N.m(lb.in)(kgf.cm)	M6/2.5(22.2)(25)	M6/2.5(22.2)(25)
Accessories		
Ferrule	/	/
Slotted screwdriver size (Blade thickness x Width) mm	1.2x8	1.2x8
Flexed bridge (2,3P)	FBI2-20 / FBI3-20	/
Insertion bridge(2-10P)	/	/
End cover	/	/
Separating disk	/	/
Partition plate	ATP-PC / ATP-DS / ATP-PC N	ATP-PC / ATP-DS / ATP-PC N
Cover profile	AP3-COVER / AP3-T / AP3-T-KS	AP3-COVER / AP3-T / AP3-T-KS
Marker	ZT12 / ZS12	ZT12 / ZS12
Marker support	/	/
Terminal strip marker support	DLM2 / KLM3-20x8 / KLM3-44x8	DLM2 / KLM3-20x8 / KLM3-44x8
End clamp	E-PC 1100A / E-WS N	E-PC 1100A / E-WS N
End cap	NS35/7.5-CAP NS35/15-CAP	NS35/7.5-CAP NS35/15-CAP

Screw connection technology 2

Feed-through and ground terminal blocks



Order NO.	11010002999	11010000193
Width/Length/Height(NS35/7.5&NS35/15) mm	20/70.45/75.94(83.44)	20/70.45/75.94(83.44)
Electrical Data	IEC IEC60947-7-1	UL UL1059
Rated voltage V	1000	600
Rated current A	150	125
Rated cross section mm ² /AWG	16-50	6-1/0
Connection capacity	Solid Stranded Ferrule (with and without plastic sleeve)	Solid Stranded Ferrule (with and without plastic sleeve)
1 conductor mm ²	16-50 16-50 16-50 16-50	16-50 16-50 16-50 16-50
2 flexible conductors with a TWIN ferrule mm ²	- - - 10-16	- - - 10-16
General Information		
Insulation material/Flammability rating (according to UL 94)	PA/V0	PA/V0
Operation temperatures °C (°F)	-40(-40)~105(221)	-40(-40)~105(221)
Stripping length mm	22-23	22-23
Color	Grey, Red, Blue (please contact sales for other color requirements)	Yellow and green
Screw/Rated torque -/N.m(lb.in)(kgf.cm)	M6/2.5(22.2)(25)	M6/2.5(22.2)(25)
Accessories		
Ferrule	/	/
Screw(Allen key) mm	/	/
Screw	Hex socket screws	Hex socket screws
Fixed bridge	FBI2-20 / FBI3-20	/
Insertion bridge(2-10P)	/	/
End cover	/	/
Separating disk	/	/
Partition plate	ATP-PC / ATP-DS / ATP-PC N	ATP-PC / ATP-DS / ATP-PC N
Cover profile	AP3-COVER / AP3-T / AP3-T-KS	AP3-COVER / AP3-T / AP3-T-KS
Marker	ZT12 / ZS12	ZT12 / ZS12
Marker support	/	/
Terminal strip marker support	DLM2 / KLM3-20x8 / KLM3-44x8	DLM2 / KLM3-20x8 / KLM3-44x8
End clamp	E-PC 1100A / E-WS N	E-WS / E-PC / E-MK / E-WS N
End cap	NS35/7.5-CAP NS35/15-CAP	NS35/7.5-CAP NS35/15-CAP



Description	No.	Remark
① Marker carrier	KLM3-20x8-11-00A(H)	Suitable for E-PC-1100A(H) & E-WS N
② End Clamp	E-WS N-01P-11-00A(H)	Fixing products on NS35 DIN rail
③ Marker	ZT12-10P-19-00A(H)	Marker is used for the side of PC95
④ DIN rail	NS35/7.5-0150-00A(H)	NS35 DIN rail

Circuit diagram

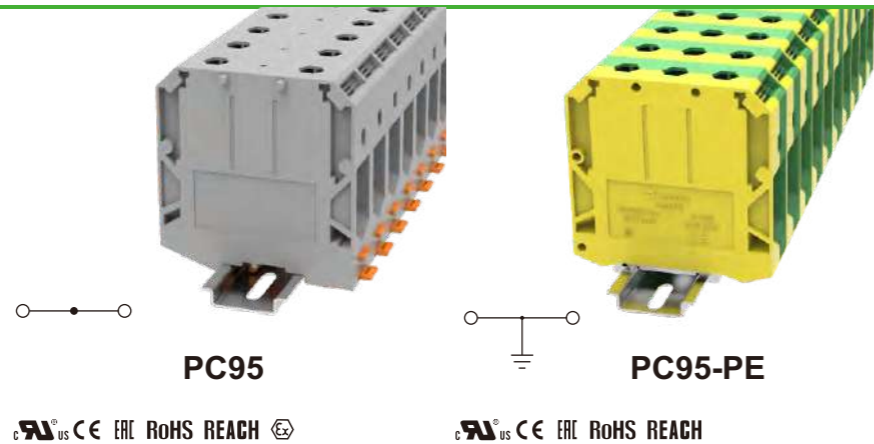
- Connection point for wiring
- Connection point for bridging
- ⊞ LED light connection
- ⊞ Fuse connection
- ⊞ Resistance connection
- ⊞ Grounding connection
- ⊞ Disconnecting
- Circuit connection point
- ⊞ Diode connection

PC Series

PC Series

Screw connection technology 2

Feed-through terminal blocks



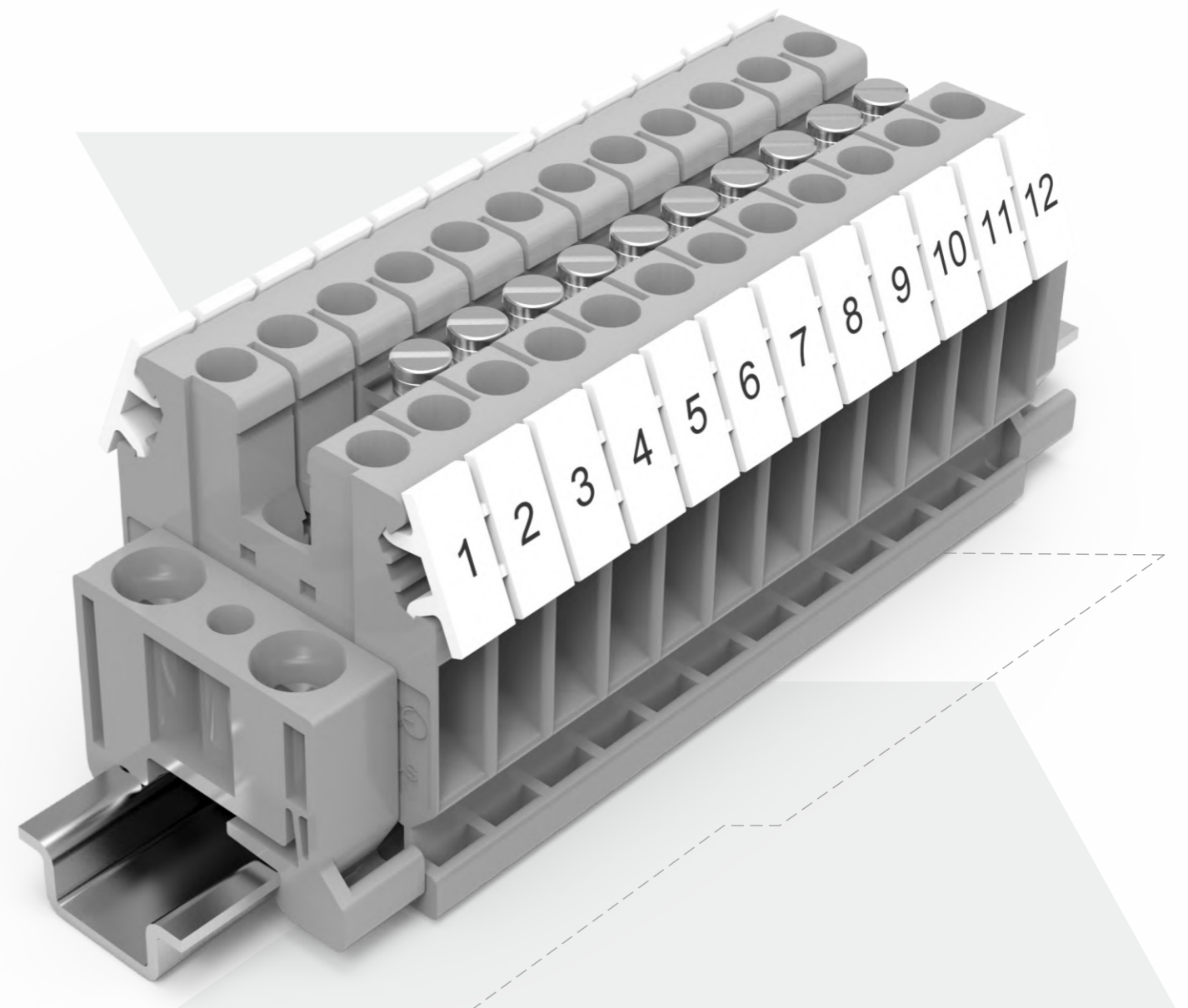
UL US CE ENEC RoHS REACH

UL US CE ENEC RoHS REACH

Order NO.	11010000112				11010001059			
Width/Length/Height(NS35/7.5&NS35/15)	mm 25/83/90.04(97.54)				mm 25/83/90.04(97.54)			
Electrical Data	IEC IEC60947-7-1		UL UL1059		IEC IEC60947-7-1		UL UL1059	
Rated voltage	V 1000		600		/		/	
Rated current	A 232		230		/		/	
Rated cross section	mm ² /AWG 25-95		2-4/0		25-95		2-4/0	
Connection capacity	Solid	Stranded	Ferrule (with and without plastic sleeve)		Solid	Stranded	Ferrule (with and without plastic sleeve)	
1 conductor	mm ² 25-95	25-95	25-95	25-50	25-95	25-95	25-95	25-50
2 flexible conductors with a TWIN ferrule	mm ² -	-	-	25-35	-	-	-	25-35
General Information								
Insulation material/Flammability rating (according to UL 94)	PA/V0				PA/V0			
Operation temperatures	°C (°F) -40(-40)~105(221)				-40(-40)~105(221)			
Stripping length	mm 31-33				33-35			
Color	Grey, Red, Blue (please contact sales for other color requirements)				Yellow and green			
Screw/Rated torque	-/N.m(lb.in)(kgf.cm) M8/25(221.5)(250)				M8/25(221.5)(250)			
Accessories								
Ferrule	/				/			
Allen key	Hex socket 6				Hex socket 6			
Fixed bridge	/				/			
Insertion bridge (2-10P)	/				/			
End cover	/				/			
Separating disk	/				/			
Partition plate	ATP-PC / ATP-DS / ATP-PC N				ATP-PC / ATP-DS / ATP-PC N			
Cover profile	AP3-COVER / AP3-T / AP3-T-KS				AP3-COVER / AP3-T / AP3-T-KS			
Marker	ZT12 / ZS12				ZT12 / ZS12			
Marker support	/				/			
Terminal strip marker support	DLM2 / KLM3-20x8 / KLM3-44x8				DLM2 / KLM3-20x8 / KLM3-44x8			
End clamp	E-PC 1100A / E-WS N				E-PC 1100A / E-WS N			
End cap	NS35/7.5-CAP NS35/15-CAP				NS35/7.5-CAP NS35/15-CAP			

PC Micro And Miniature Terminal Blocks

- PC Mini Feed-through terminal blocks, with screw connection technology, high-quality copper screw and cage ensure the stable & reliable connection
- Small volume, applied in small control boxes by mounted on NS15 DIN Rail
- The fixed bridge can realize the potential distribution of 2-10 positions; the cuttable side bridges can reach jumped connection
- Compatible with the marking system to clearly identify the working area



PC Series

Screw connection technology 2

Micro and miniature terminal blocks



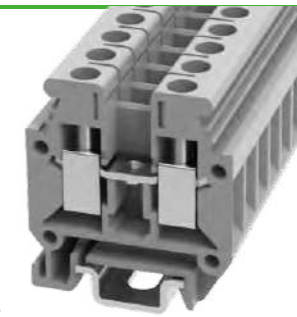
PCMB2.5

UL US CE ENEC RoHS REACH

Order NO.	11010000140			
Width/Length/Height(NS15)	mm	5.2/28/33.7		
Electrical Data		IEC IEC60947-7-1	UL UL1059	
Rated voltage	V	500	300	
Rated current	A	24	20	
Rated cross section	mm ² /AWG	0.2-2.5	28-12	
Connection capacity		Solid	Stranded	Ferrule (with and without plastic sleeve)
1 conductor	mm ²	0.2-2.5	0.2-2.5	0.2-2.5
2 flexible conductors with a TWIN ferrule	mm ²	—	—	0.5-1
General Information				
Insulation material/Flammability rating (according to UL 94)	PA/V0			
Operation temperatures	°C (°F)	-40(-40)~105(221)		
Stripping length	mm	7-8		
Color	Grey, Red, Blue (please contact sales for other color requirements)			
Screw/Rated torque	-/N.m(lb.in)(kgf.cm)	M3/0.5(4.5)(5.1)		
Accessories				
Ferrule	/			
Slotted screwdriver size (Blade thickness x Width)	mm	0.6x3.5		
Fixed bridge		FB110-5 (2,3,4,5,6,8,10P)		
Insertion bridge (2-10P)		EB2-5 / EB3-5 / EB10-5		
End cover		D-PCMB2.5		
Separating disk		TS-KK3		
Partition plate		ATP-PC / ATP-DS / ATP-PC N		
Cover profile		AP3-COVER / AP3-T / AP3-T-KS		
Marker		ZB5 / ZS5		
Marker support	/			
Terminal strip marker support		DLM2 / KLM3-20x8 / KLM3-44x8		
End clamp		E-PC 1100A / E-WS N		
End cap		NS35/7.5-CAP NS35/15-CAP		

Screw connection technology 2

Micro and miniature terminal blocks



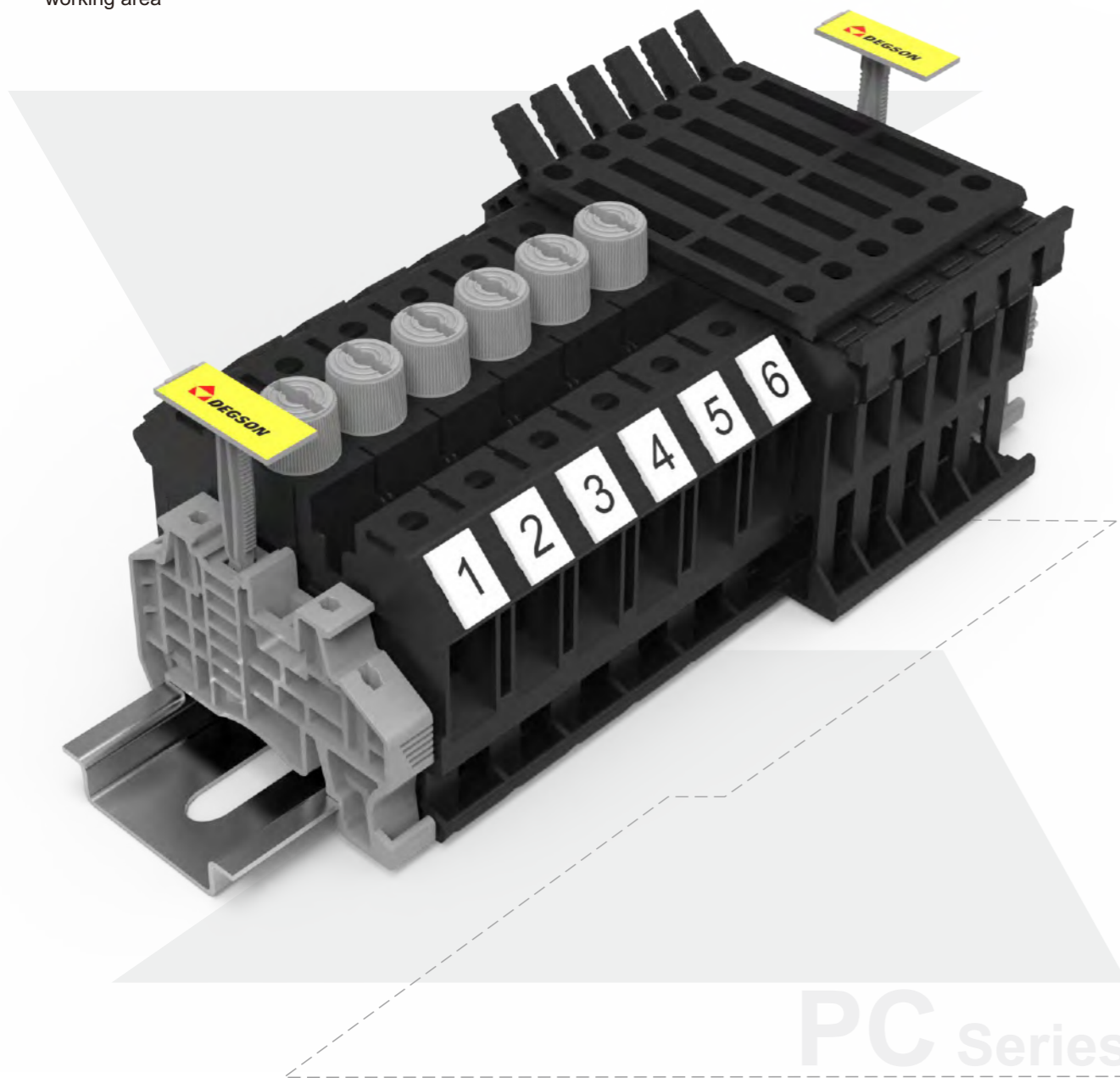
PCMB4

UL US CE ENEC RoHS REACH

Order NO.	11010000143			
Width/Length/Height(NS15)	mm	6.2/28/33.7		
Electrical Data		IEC IEC60947-7-1	UL UL1059	
Rated voltage	V	500	300	
Rated current	A	32	30	
Rated cross section	mm ² /AWG	0.2-4	26-10	
Connection capacity		Solid	Stranded	Ferrule (with and without plastic sleeve)
1 conductor	mm ²	0.2-4	0.2-4	0.2-2.5
2 flexible conductors with a TWIN ferrule	mm ²	—	—	0.5-2.5
General Information				
Insulation material/Flammability rating (according to UL 94)	PA/V0			
Operation temperatures	°C (°F)	-40(-40)~105(221)		
Stripping length	mm	7-8		
Color	Grey, Red, Blue (please contact sales for other color requirements)			
Screw/Rated torque	-/N.m(lb.in)(kgf.cm)	M3/0.5(4.5)(5.1)		
Accessories				
Ferrule	/			
Slotted screwdriver size (Blade thickness x Width)	mm	0.6x3.5		
Fixed bridge		FB110-6 (2,3,5,7,8,10P)		
Insertion bridge (2-10P)		EB2-6 / EB3-6 / EB10-6		
End cover		D-PCMB2.5		
Separating disk		TS-KK3		
Partition plate		ATP-PC / ATP-DS / ATP-PC N		
Cover profile		AP3-COVER / AP3-T / AP3-T-KS		
Marker		ZB6 / ZS6		
Marker support	/			
Terminal strip marker support		DLM2 / KLM3-20x8 / KLM3-44x8		
End clamp		E-PC 1100A / E-WS N		
End cap		NS35/7.5-CAP NS35/15-CAP		

PC Fuse Terminal Blocks

- PC Fuse type terminal blocks, with screw connection technology, high-quality copper screw and cage ensure the stable & reliable connection
- Snap-on fuse box for easy fuse replacement
- The cuttable side bridges can reach jumped connection
- Compatible with the marking system to clearly identify the working area



PC Series

Screw connection technology 2

Fuse terminal blocks (5X20, 5X25)



PC4-HE

UL CE ENEC RoHS REACH

Order NO.	1101000076			
Width/Length/Height(NS35/7.5&NS35/15)	mm	8.2/72.89/57.37(64.87)		
Electrical Data		IEC IEC60947-7-3	UL UL1059	
Rated voltage	V	800	600	
Rated current	A	6.3	6.3	
Rated cross section	mm ² / AWG	0.2-4	26-10	
Connection capacity		Solid	Stranded	Ferrule (with and without plastic sleeve)
1 conductor	mm ²	0.2-4	0.2-4	0.2-4 0.2-2.5
2 flexible conductors with a TWIN ferrule	mm ²	—	—	— 0.5-2.5
General Information				
Insulation material/Flammability rating (according to UL 94)		PA/V0		
Operation temperatures	°C (°F)	-40(-40)~105(221)		
Stripping length	mm	7-8		
Color		Black (please contact sales for other color requirements)		
Screw/Rated torque	-/N.m(lb.in)/(kgf.cm)	M3/0.5(4.5)(5.1)		
Accessories				
Ferrule		/		
Slotted screwdriver size (Blade thickness x Width)	mm	0.6x3.5		
Fixed bridge		/		
Insertion bridge (2,3,10P)		EB2-8 / EB3-8 / EB10-8		
End cover		/		
Separating disk		/		
Partition plate		ATP-PC / ATP-DS / ATP-PC N		
Cover profile		AP3-COVER / AP3-T / AP3-T-KS		
Marker		ZB8 / ZS8		
Marker support		/		
Terminal strip marker support		DLM2 / KLM3-20x8 / KLM3-44x8		
End clamp		E-PC 1100A / E-WS N		
End cap		NS35/7.5-CAP NS35/15-CAP		









Screw connection technology 2

Fuse terminal blocks (5X20)



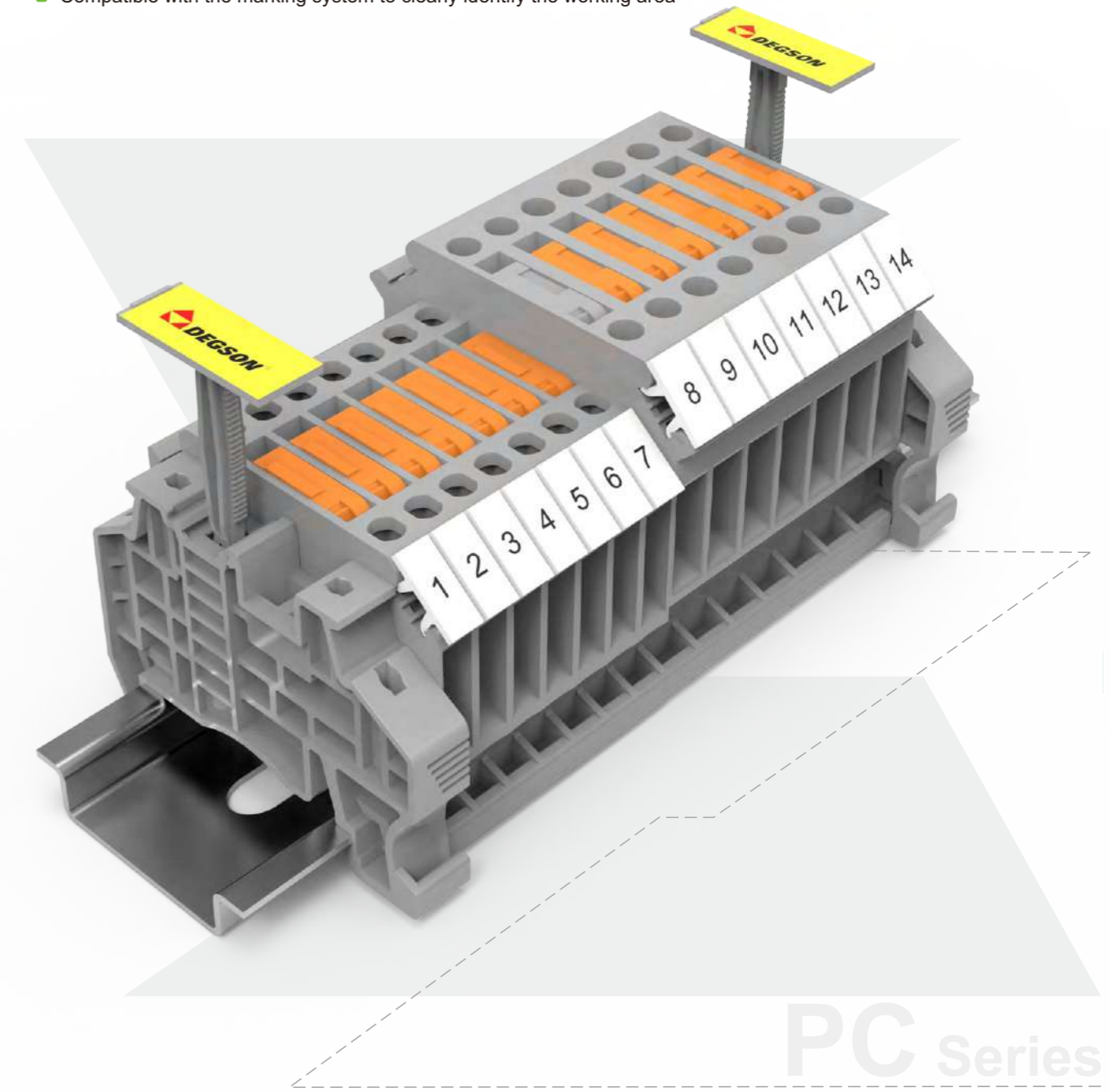
PC10-DR



Order NO.	11010000005			
Width/Length/Height(NS35/7.5&NS35/15) mm	12/62/57.8(64.75)			
Electrical Data	IEC IEC60947-7-3	UL UL1059		
Rated voltage V	800	600		
Rated current A	10	10		
Rated cross section mm ² /AWG	0.5-10	24-6		
Connection capacity	Solid	Stranded	Ferrule (with and without plastic sleeve)	
1 conductor mm ²	0.5-10	0.5-10	0.5-10	0.5-10
2 flexible conductors with a TWIN ferrule mm ²	—	—	—	0.5-10
General Information				
Insulation material/Flammability rating (according to UL 94)	PA/V0			
Operation temperatures °C (°F)	-40(-40)~105(221)			
Stripping length mm	10-11			
Color	Black (please contact sales for other color requirements)			
Screw/Rated torque -/N.m(lb.in)(kgf.cm)	M4/1.2(10.5)(12.24)			
Accessories				
Ferrule	/			
Slotted screwdriver size (Blade thickness x Width) mm	1x4			
Fixed bridge 	FBI10-10			
Insertion bridge (2-10P) 	EB10-12			
End cover	/			
Separating disk	/			
Partition plate 	ATP-PC / ATP-DS / ATP-PC N			
Cover profile 	AP3-COVER / AP3-T / AP3-T-KS			
Marker 	ZB8 / ZS8			
Marker support	/			
Terminal strip marker support 	DLM2 / KLM3-20x8 / KLM3-44x8			
End clamp 	E-PC 1100A / E-WS N			
End cap 	NS35/7.5-CAP NS35/15-CAP			

PC Disconnect Terminal Blocks

- PC Knife disconnect terminal blocks, with screw connection technology, high-quality copper screw and cage ensure the stable & reliable connection
- The circuit can be disconnected, measured, controlled easily by operate the knife disconnecter
- Snap-on knife disconnecter to prevent accidental disconnection
- Compatible with the marking system to clearly identify the working area



PC Series

Screw connection technology 2

Disconnect terminal blocks



PCMT2.5

CE ENEC RoHS REACH

Order NO.	11010000144			
Width/Length/Height(NS35/7.5&NS35/15)	mm	5.2/46.25/48.18(55.68)		
Electrical Data		IEC IEC60947-7-1	UL UL1059	
Rated voltage	V	500	300	
Rated current	A	16	10	
Rated cross section	mm ² /AWG	0.2-2.5	24-14	
Connection capacity		Solid	Stranded	Ferrule (with and without plastic sleeve)
1 conductor	mm ²	0.2-2.5	0.2-2.5	0.2-2.5 0.2-1.5
2 flexible conductors with a TWIN ferrule	mm ²	—	—	— 0.5-1.5
General Information				
Insulation material/Flammability rating (according to UL 94)		PA/V0		
Operation temperatures	°C (°F)	-40(-40)~105(221)		
Stripping length	mm	10-11		
Color		Grey, Red, Blue (please contact sales for other color requirements)		
Screw/Rated torque	-/N.m(lb.in)/(kgf.cm)	M3/0.5(4.5)(5.1)		
Accessories				
Ferrule		/		
Slotted screwdriver size (Blade thickness x Width)	mm	0.6x3.5		
Fixed bridge		/		
Insertion bridge (2-10P)		EB2-5 / EB3-5 / EB10-5		
End cover		D-PCMT2.5		
Separating disk		/		
Partition plate		ATP-PC / ATP-DS / ATP-PC N		
Cover profile		AP3-COVER / AP3-T / AP3-T-KS		
Marker		ZB5 / ZS5		
Marker support		/		
Terminal strip marker support		DLM2 / KLM3-20x8 / KLM3-44x8		
End clamp		E-PC 1100A / E-WS N		
End cap		NS35/7.5-CAP NS35/15-CAP		

Screw connection technology 2

Disconnect terminal blocks



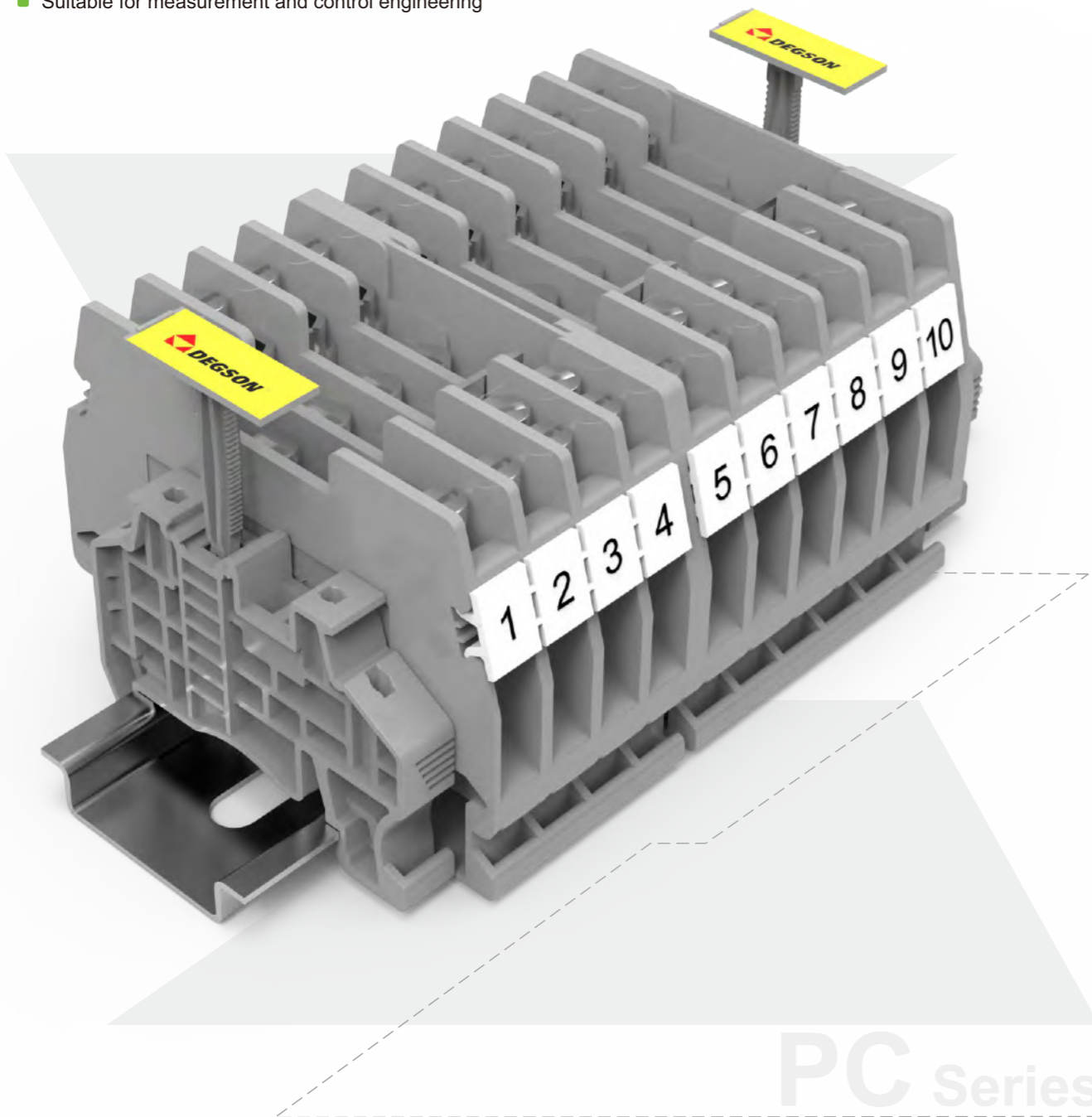
PCMT4

CE ENEC RoHS REACH

Order NO.	11010000145			
Width/Length/Height(NS35/7.5&NS35/15)	mm	6.2/51/47.4(54.9)		
Electrical Data		IEC IEC60947-7-1	UL UL1059	
Rated voltage	V	800	600	
Rated current	A	16	15	
Rated cross section	mm ² /AWG	0.2-4	24-12	
Connection capacity		Solid	Stranded	Ferrule (with and without plastic sleeve)
1 conductor	mm ²	0.2-4	0.2-4	0.2-4 0.2-2.5
2 flexible conductors with a TWIN ferrule	mm ²	—	—	— 0.5-2.5
General Information				
Insulation material/Flammability rating (according to UL 94)		PA/V0		
Operation temperatures	°C (°F)	-40(-40)~105(221)		
Stripping length	mm	7-8		
Color		Grey, Red, Blue (please contact sales for other color requirements)		
Screw/Rated torque	-/N.m(lb.in)/(kgf.cm)	M3/0.5(4.5)(5.1)		
Accessories				
Ferrule		/		
Slotted screwdriver size (Blade thickness x Width)	mm	0.6x3.5		
Fixed bridge		/		
Insertion bridge (2-40P)		EB2-6 / EB3-6 / EB10-6 / EBA40-6		
End cover		/		
Separating disk		/		
Partition plate		ATP-PC / ATP-DS / ATP-PC N		
Cover profile		AP3-COVER / AP3-T / AP3-T-KS		
Marker		ZB6 / ZS6		
Marker support		/		
Terminal strip marker support		DLM2 / KLM3-20x8 / KLM3-44x8		
End clamp		E-PC 1100A / E-WS N		
End cap		NS35/7.5-CAP NS35/15-CAP		

PC Test Disconnect Terminal Block

- PC Test disconnect terminal block, with screw connection technology, high-quality copper screw and cage ensure the stable & reliable connection
- The circuit can be disconnected, measured, controlled easily by operate the slide disconnector
- Combined with bushings and bridges, it can short-circuit protection for circuits, which is convenient for protecting and measuring secondary circuits
- Suitable for measurement and control engineering



PC Series

Screw connection technology 2

Test disconnect terminal blocks



PCTK6

PCTK6-BEN

UL US CE ENE RoHS REACH

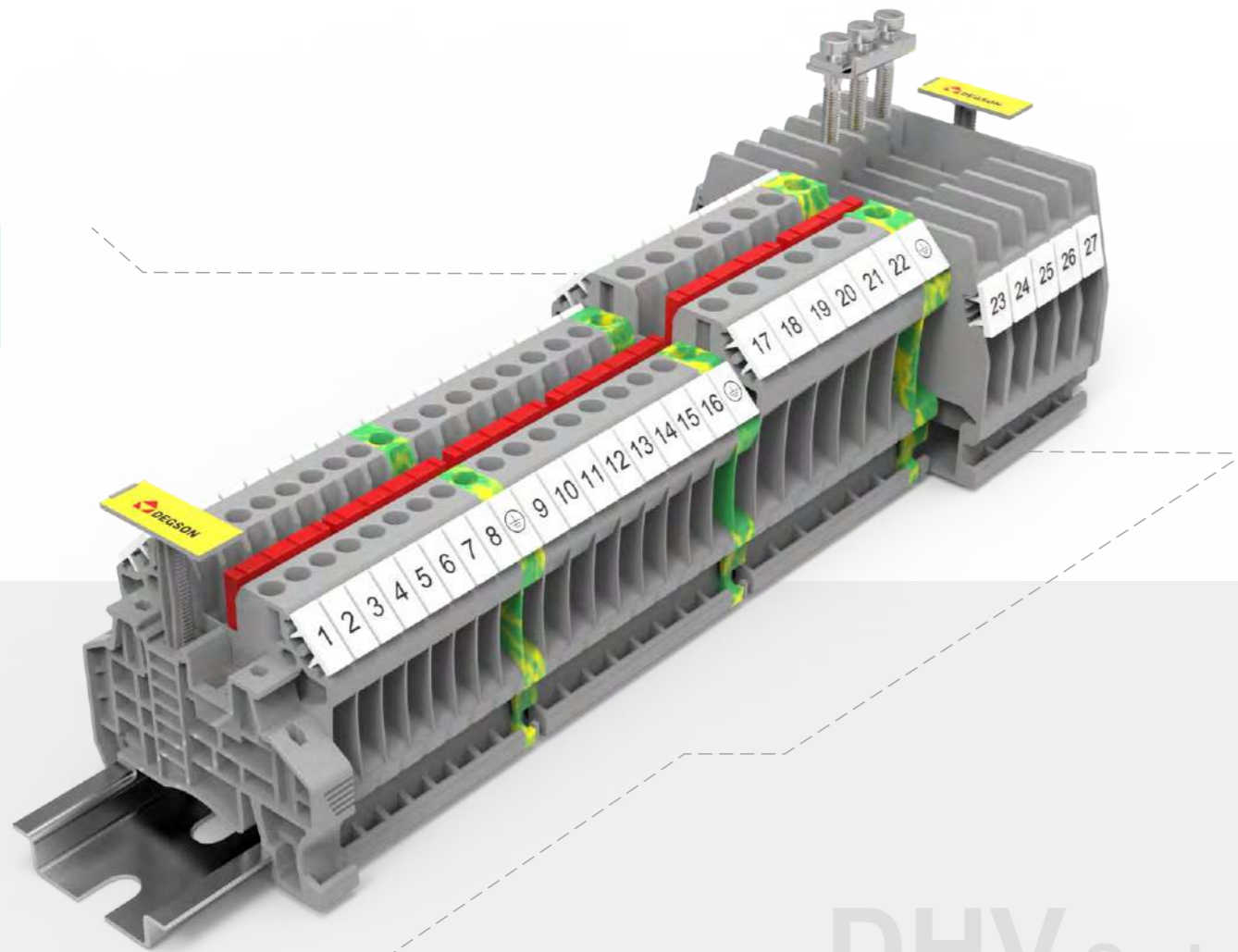
CE ENE RoHS REACH

Order NO.	11010000146				11010000149							
Width/Length/Height(NS35/7.5&NS35/15)	mm				8.2/72/51.75(59.25)				8.2/61/58.85(67.35)			
Electrical Data	IEC		UL		IEC		UL					
	IEC60947-7-1		UL1059		IEC60947-7-1		UL1059					
Rated voltage	V		300		500		300					
Rated current	A		40		41		40					
Rated cross section	mm ² /AWG		26-10		0.5-6		26-10					
Connection capacity	Solid		Stranded		Ferrule (with and without plastic sleeve)		Solid		Stranded		Ferrule (with and without plastic sleeve)	
1 conductor	mm ²		0.5-6		0.5-6		0.5-6		0.5-6		0.5-4	
2 flexible conductors with a TWIN ferrule	mm ²		-		-		-		-		0.5-4	
General Information												
Insulation material/Flammability rating (according to UL 94)	PA/V0				PA/V0							
Operation temperatures	°C (°F)		-40(-40)~105(221)				-40(-40)~105(221)					
Stripping length	mm		13-14				11-12					
Color	Grey, Red, Blue (please contact sales for other color requirements)				Grey, Red, Blue (please contact sales for other color requirements)							
Screw/Rated torque	-/N.m(lb.in)(kgf.cm)		M4/1.2(10.53)(12.24)				M4/1.2(10.53)(12.24)					
Accessories												
Ferrule	/				/							
Slotted screwdriver size (Blade thickness x Width)	mm		1x4				1x4					
Flexed bridge (2-10P)	FBXX-RTK/S				/							
Switch bridges (2P,3P)	SB2-RTK/S				/							
Insertion bridge (2-10P)	EB2-8 / EB3-8 / EB10-8				EB2-8 / EB3-8 / EB10-8							
End cover	D-PCTK6				D-PCTK6-BEN							
Separating disk	/				/							
Partition plate	ATP-PC / ATP-DS / ATP-PC N				ATP-PC / ATP-DS / ATP-PC N							
Cover profile	AP3-COVER / AP3-T / AP3-T-KS				AP3-COVER / AP3-T / AP3-T-KS							
Marker	ZB8 / ZS8				ZB8 / ZS8							
Marker support	/				/							
Terminal strip marker support	DLM2 / KLM3-20x8 / KLM3-44x8				DLM2 / KLM3-20x8 / KLM3-44x8							
End clamp	E-PC 1100A / E-WS N				E-PC 1100A / E-WS N							
End cap	NS35/7.5-CAP NS35/15-CAP				NS35/7.5-CAP NS35/15-CAP							

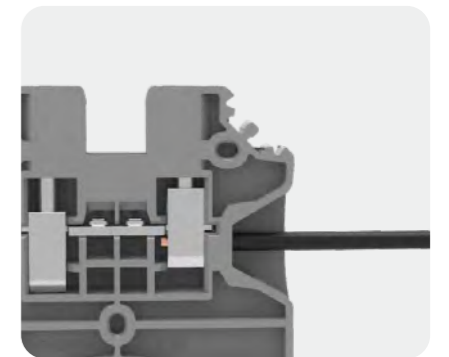
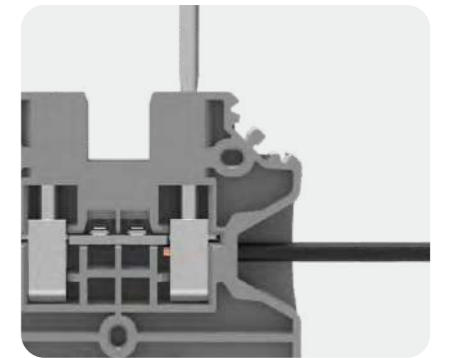
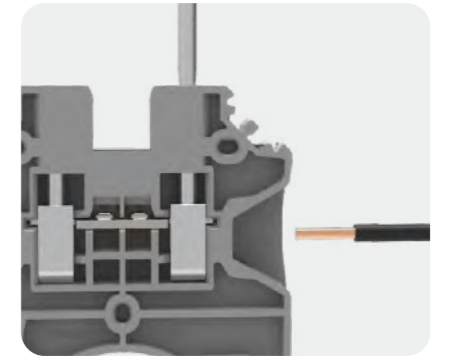
DHV High-voltage Screw Terminal Blocks

Feature

- Adopt screw self-locking technology, with excellent anti loosening performance.
- Rated voltage up to kilovolts, especially suitable for medium and high voltage applications in the power industry.
- Copper alloy material, low resistivity, excellent electrical conductivity.
- Double-channel bridge wells, with a 2-20 bit bridge, can flexibly distribute potential.
- Large area identification at 45°, marking areas easy to identify.



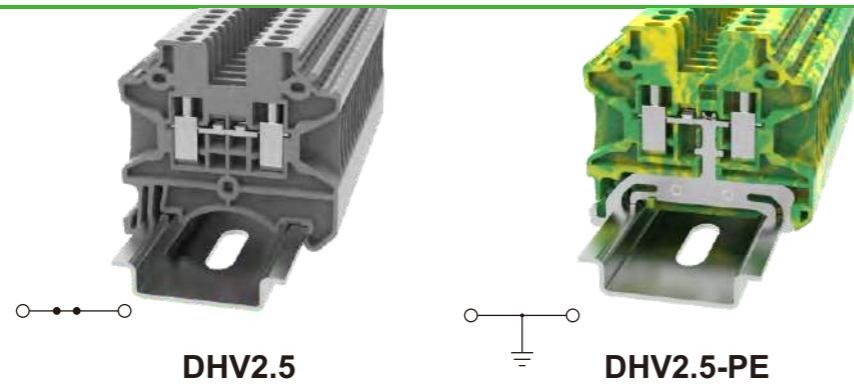
DHV Series



DHV high-voltage screw terminal blocks, using screw self-locking technology, have excellent wiring anti loosening performance. The copper screw and copper clamp body cooperate with each other to ensure the air tightness of long-term connections. High precision copper alloy conductive body minimizes temperature rise, ensuring reliable and safe connection. The plastic raw materials of PA66 can meet the working environment of - 40 °C to 105 °C, and all PC series products meet the UL94 V0 flame retardant grade. The rated voltage of the through type terminals is up to kilovolts, especially suitable for medium and high voltage applications in the power industry.

Screw connection technology 3

Feed-through terminal block



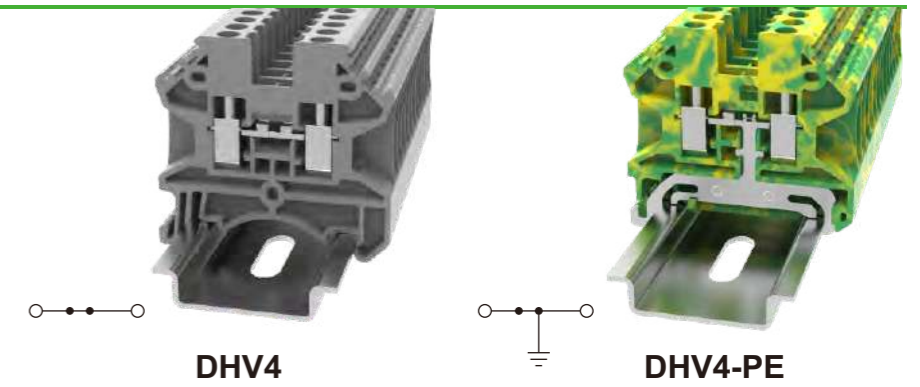
CE ERG RoHS REACH

CE ERG RoHS REACH

Order NO.	11010001081				11010001082			
Width/Length/Height(NS35/7.5&NS35/15) mm	5.2/47.5/46.5(54)				5.2/47.5/46.5(54)			
Electrical Data	IEC IEC60947-7-1		UL UL1059		IEC IEC60947-7-2		UL UL1059	
Rated voltage V	1000		600		/		/	
Rated current A	24		20		/		/	
Rated cross section mm ² /AWG	0.14-4		26-12		0.14-4		26-12	
Connection capacity	Solid	Stranded	Ferrule (with and without plastic sleeve)		Solid	Stranded	Ferrule (with and without plastic sleeve)	
1 conductor mm ²	0.14-4	0.14-4	0.14-2.5	0.14-2.5	0.14-4	0.14-4	0.14-2.5	0.14-2.5
2 flexible conductors with a TWIN ferrule mm ²	—	—	—	0.5-1.5	—	—	—	0.5-1.5
General Information								
Insulation material/Flammability rating (according to UL 94)	PA/V0				PA/V0			
Operation temperatures °C (°F)	-40(-40)~105(221)				-40(-40)~105(221)			
Stripping length mm	9-10				9-10			
Color	Grey, Red, Blue (please contact sales for other color requirements)				Yellow green mixed color			
Screw/Rated torque -/N.m(lb.in)(kgf.cm)	M3/0.5 (4.43) (5.1)				M3/0.5 (4.43) (5.1)			
Accessories								
Ferrule	/				/			
Slotted screwdriver size (Blade thickness x Width) mm	0.6x3.5				0.6x3.5			
Screw	Slotted screw				Slotted screw			
Bridge (2-10P,20P)	DFB2-5.2 DFB3-5.2 DFB4-5.2 DFB5-5.2 DFB6-5.2 DFB7-5.2 DFB8-5.2 DFB9-5.2 DFB10-5.2 DFB20-5.2 DFBS2-5.2 DFBS3-5.2 DFBS10-5.2				DFB2-5.2 DFB3-5.2 DFB4-5.2 DFB5-5.2 DFB6-5.2 DFB7-5.2 DFB8-5.2 DFB9-5.2 DFB10-5.2 DFB20-5.2 DFBS2-5.2 DFBS3-5.2 DFBS10-5.2			
End cover	D-DHV2.5				D-DHV2.5			
Partition plate	ATP-DS / ATP-PC N				ATP-DS / ATP-PC N			
Cover profile	AP3-COVER / AP3-T / AP3-T-KS				AP3-COVER / AP3-T / AP3-T-KS			
Marker	ZB5 / ZS5				ZB5 / ZS5			
Marker support	/				/			
Terminal strip marker support	DLM2 / KLM3-20x8 / KLM3-44x8				DLM2 / KLM3-20x8 / KLM3-44x8			
End clamp	E-PC 1100A / E-WS N				E-PC 1100A / E-WS N			
End cap	NS35/7.5-CAP NS35/15-CAP				NS35/7.5-CAP NS35/15-CAP			

Screw connection technology 3

Feed-through terminal block



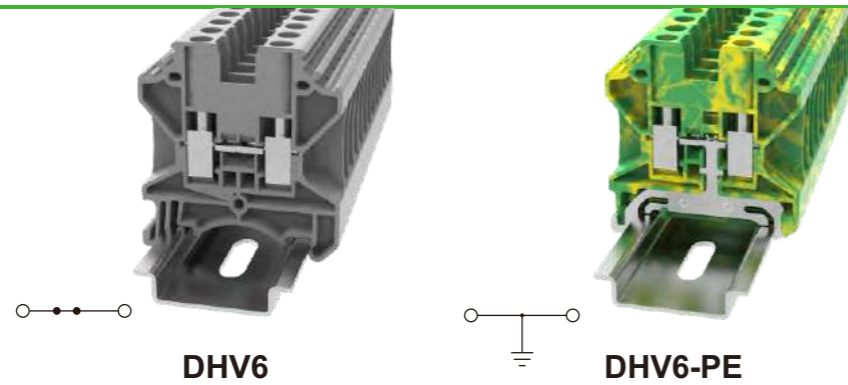
CE ERG RoHS REACH

CE ERG RoHS REACH

Order NO.	11010001078				11010001079			
Width/Length/Height(NS35/7.5&NS35/15) mm	6.2/47.5/46.5(54)				6.2/47.5/46.5(54)			
Electrical Data	IEC IEC60947-7-1		UL UL1059		IEC IEC60947-7-1		UL UL1059	
Rated voltage V	1000		600		/		/	
Rated current A	32		30		/		/	
Rated cross section mm ² /AWG	0.14-6		26-10		0.14-6		26-10	
Connection capacity	Solid	Stranded	Ferrule (with and without plastic sleeve)		Solid	Stranded	Ferrule (with and without plastic sleeve)	
1 conductor mm ²	0.14-6	0.14-6	0.25-4	0.25-4	0.14-6	0.14-6	0.25-4	0.25-4
2 flexible conductors with a TWIN ferrule mm ²	—	—	—	0.25-2.5	—	—	—	0.25-2.5
General Information								
Insulation material/Flammability rating (according to UL 94)	PA/V0				PA/V0			
Operation temperatures °C (°F)	-40(-40)~105(221)				-40(-40)~105(221)			
Stripping length mm	9-10				9-10			
Color	Grey, Red, Blue (please contact sales for other color requirements)				Yellow green mixed color			
Screw/Rated torque -/N.m(lb.in)(kgf.cm)	M3/0.6 (5.3) (6.1)				M3/0.6 (5.3) (6.1)			
Accessories								
Ferrule	/				/			
Slotted screwdriver size (Blade thickness x Width) mm	0.6x3.5				0.6x3.5			
Screw	Slotted screw				Slotted screw			
Bridge (2-10P ,20P)	DFB2-6.2 DFB3-6.2 DFB4-6.2 DFB5-6.2 DFB6-6.2 DFB7-6.2 DFB8-6.2 DFB9-6.2 DFB10-6.2				DFB2-6.2 DFB3-6.2 DFB4-6.2 DFB5-6.2 DFB6-6.2 DFB7-6.2 DFB8-6.2 DFB9-6.2 DFB10-6.2			
End cover	D-DHV2.5				D-DHV2.5			
Partition plate	ATP-DS / ATP-PC N				ATP-DS / ATP-PC N			
Cover profile	AP3-COVER / AP3-T / AP3-T-KS				AP3-COVER / AP3-T / AP3-T-KS			
Marker	ZB6 / ZS6				ZB6 / ZS6			
Marker support	/				/			
Terminal strip marker support	DLM2 / KLM3-20x8 / KLM3-44x8				DLM2 / KLM3-20x8 / KLM3-44x8			
End clamp	E-PC 1100A / E-WS N				E-PC 1100A / E-WS N			
End cap	NS35/7.5-CAP NS35/15-CAP				NS35/7.5-CAP NS35/15-CAP			

Screw connection technology 3

Feed-through terminal block



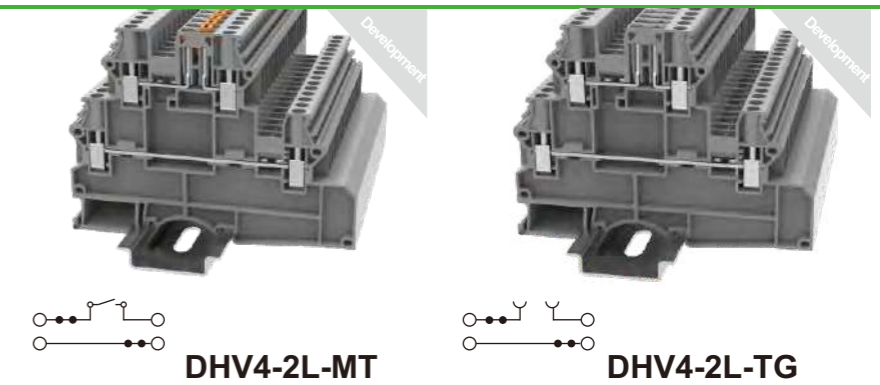
CE ERG RoHS REACH

CE ERG RoHS REACH

Order NO.	11010001084				11010001085			
Width/Length/Height(NS35/7.5&NS35/15) mm	8.2/47.5/53(60.5)				8.2/47.5/53(60.5)			
Electrical Data	IEC IEC60947-7-1		UL UL1059		IEC IEC60947-7-2		UL UL1059	
Rated voltage V	1000		600		/		/	
Rated current A	41		50		/		/	
Rated cross section mm ² /AWG	0.2-10		24-8		0.2-10		24-8	
Connection capacity	Solid	Stranded	Ferrule (with and without plastic sleeve)		Solid	Stranded	Ferrule (with and without plastic sleeve)	
1 conductor mm ²	0.2-10	0.2-10	0.25-6	0.25-6	0.2-10	0.2-10	0.25-6	0.25-6
2 flexible conductors with a TWIN ferrule mm ²	-	-	-	0.5-4	-	-	-	0.5-4
General Information								
Insulation material/Flammability rating (according to UL 94)	PA/V0				PA/V0			
Operation temperatures °C (°F)	-40(-40)~105(221)				-40(-40)~105(221)			
Stripping length mm	10-11				10-11			
Color	Grey, Red, Blue (please contact sales for other color requirements)				Yellow green mixed color			
Screw/Rated torque -/N.m(lb.in)(kgf.cm)	M4/1.5 (13.28) (15.31)				M4/1.5 (13.28) (15.31)			
Accessories								
Ferrule	/				/			
Slotted screwdriver size (Blade thickness x Width) mm	0.6x3.5				0.6x3.5			
Screw	Slotted screw				Slotted screw			
Bridge (2-10P,20P)	DFB2-8.2 DFB3-8.2 DFB4-8.2 DFB5-8.2 DFB6-8.2 DFB7-8.2 DFB8-8.2 DFB9-8.2 DFB10-8.2		DFB2-8.2 DFB3-8.2 DFB4-8.2 DFB5-8.2 DFB6-8.2 DFB7-8.2 DFB8-8.2 DFB9-8.2 DFB10-8.2		DFB2-8.2 DFB3-8.2 DFB4-8.2 DFB5-8.2 DFB6-8.2 DFB7-8.2 DFB8-8.2 DFB9-8.2 DFB10-8.2		DFB2-8.2 DFB3-8.2 DFB4-8.2 DFB5-8.2 DFB6-8.2 DFB7-8.2 DFB8-8.2 DFB9-8.2 DFB10-8.2	
End cover	D-DHV6				D-DHV6			
Partition plate	ATP-DS / ATP-PC N				ATP-DS / ATP-PC N			
Cover profile	AP3-COVER / AP3-T / AP3-T-KS				AP3-COVER / AP3-T / AP3-T-KS			
Marker	ZB8 / ZS8				ZB8 / ZS8			
Marker support	/				/			
Terminal strip marker support	DLM2 / KLM3-20x8 / KLM3-44x8				DLM2 / KLM3-20x8 / KLM3-44x8			
End clamp	E-PC 1100A / E-WS N				E-PC 1100A / E-WS N			
End cap	NS35/7.5-CAP NS35/15-CAP				NS35/7.5-CAP NS35/15-CAP			

Screw connection technology 3

Disconnect terminal blocks



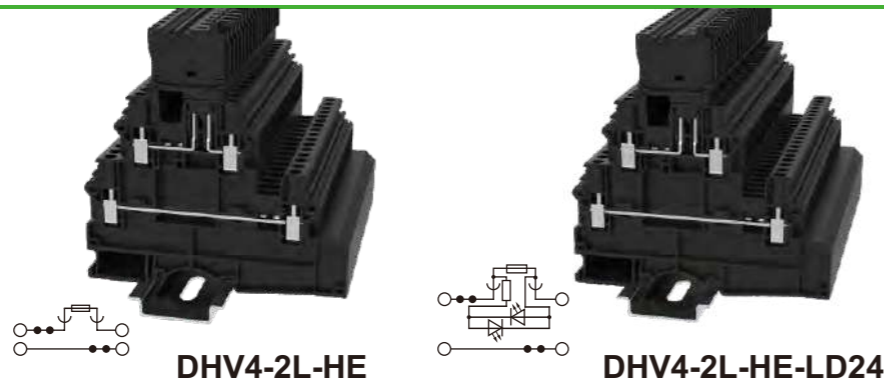
CE ERG RoHS REACH

CE ERG RoHS REACH

Order NO.	/				/			
Width/Length/Height(NS35/7.5&NS35/15) mm	6.2/100.5/76.7(84.2)				8.2/47.5/53(60.5)			
Electrical Data	IEC IEC60947-7-1		UL UL1059		IEC IEC60947-7-2		UL UL1059	
Rated voltage V	500		300		500		300	
Rated current A	30		20		30		20	
Rated cross section mm ² /AWG	0.14-6		26-10		0.14-6		26-10	
Connection capacity	Solid	Stranded	Ferrule (with and without plastic sleeve)		Solid	Stranded	Ferrule (with and without plastic sleeve)	
1 conductor mm ²	0.14-6	0.14-6	0.25-4	0.25-4	0.14-6	0.14-6	0.25-4	0.25-4
2 flexible conductors with a TWIN ferrule mm ²	-	-	-	0.5-2.5	-	-	-	0.5-2.5
General Information								
Insulation material/Flammability rating (according to UL 94)	PA/V0				PA/V0			
Operation temperatures °C (°F)	-40(-40)~105(221)				-40(-40)~105(221)			
Stripping length mm	9-10				9-10			
Color	Grey, Red, Blue (please contact sales for other color requirements)				Grey, Red, Blue (please contact sales for other color requirements)			
Screw/Rated torque -/N.m(lb.in)(kgf.cm)	M3/0.5 (4.43) (5.1)				M3/0.5 (4.43) (5.1)			
Accessories								
Ferrule	/				/			
Slotted screwdriver size (Blade thickness x Width) mm	0.6x3.5				0.6x3.5			
Screw	Slotted screw				Slotted screw			
Bridge (2-10P ,20P)	DFB2-8.2 DFB3-8.2 DFB4-8.2 DFB5-8.2 DFB6-8.2 DFB7-8.2 DFB8-8.2 DFB9-8.2 DFB10-8.2		DFB2-8.2 DFB3-8.2 DFB4-8.2 DFB5-8.2 DFB6-8.2 DFB7-8.2 DFB8-8.2 DFB9-8.2 DFB10-8.2		DFB2-8.2 DFB3-8.2 DFB4-8.2 DFB5-8.2 DFB6-8.2 DFB7-8.2 DFB8-8.2 DFB9-8.2 DFB10-8.2		DFB2-8.2 DFB3-8.2 DFB4-8.2 DFB5-8.2 DFB6-8.2 DFB7-8.2 DFB8-8.2 DFB9-8.2 DFB10-8.2	
End cover	D-DHV4-2L-MT				D-DHV4-2L-MT			
Partition plate	ATP-DS / ATP-PC N				ATP-DS / ATP-PC N			
Cover profile	AP3-COVER / AP3-T / AP3-T-KS				AP3-COVER / AP3-T / AP3-T-KS			
Marker	ZB8 / ZS8				ZB8 / ZS8			
Marker support	/				/			
Terminal strip marker support	DLM2 / KLM3-20x8 / KLM3-44x8				DLM2 / KLM3-20x8 / KLM3-44x8			
End clamp	E-PC 1100A / E-WS N				E-PC 1100A / E-WS N			
End cap	NS35/7.5-CAP NS35/15-CAP				NS35/7.5-CAP NS35/15-CAP			

Screw connection technology 3

Fuse terminal blocks



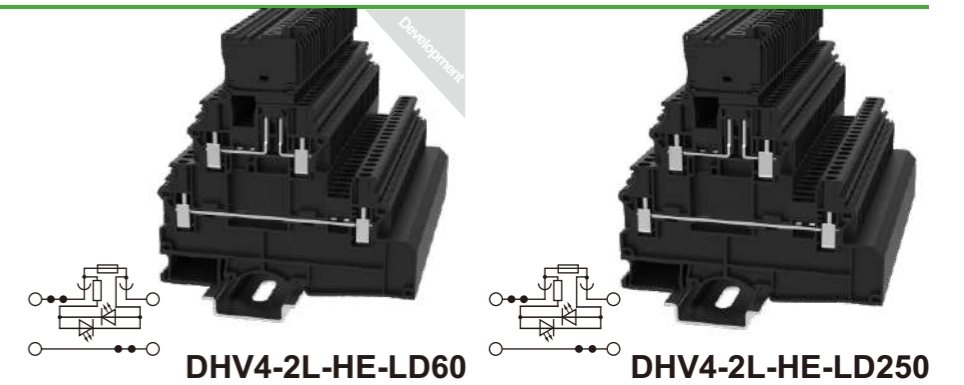
CE ENEC RoHS REACH

CE ENEC RoHS REACH

Order NO.	11020000355				11020000356			
Width/Length/Height(NS35/7.5&NS35/15)	mm 6.2/100.5/104.8(112.3)				mm 6.2/100.5/104.8(112.3)			
Electrical Data	IEC IEC60947-7-1		UL UL1059		IEC IEC60947-7-1			
Rated voltage	V 500		300		24 (LED voltage range 12-30V)			
Rated current	A 6.3		6.3		6.3			
Rated cross section	mm ² /AWG 0.14-6		26-10		0.14-6		26-10	
Connection capacity	Solid	Stranded	Ferrule (with and without plastic sleeve)		Solid	Stranded	Ferrule (with and without plastic sleeve)	
1 conductor	mm ² 0.14-6	0.14-6	0.25-4	0.25-4	0.14-6	0.14-6	0.25-4	0.25-4
2 flexible conductors with a TWIN ferrule	mm ² -	-	-	0.25-2.5	-	-	-	0.25-2.5
General Information								
Insulation material/Flammability rating (according to UL 94)	PA/V0				PA/V0			
Operation temperatures	°C (°F) -40(-40)~105(221)				-40(-40)~105(221)			
Stripping length	mm 9-10				9-10			
Color	Black (please contact sales for other color requirements)				Black (please contact sales for other color requirements)			
Screw/Rated torque	-/N.m(lb.in)(kgf.cm) M3/0.5 (4.43) (5.1)				M3/0.5 (4.43) (5.1)			
Accessories								
Ferrule	/				/			
Slotted screwdriver size (Blade thickness x Width)	mm 0.6x3.5				0.6x3.5			
Screw	Slotted screw				Slotted screw			
Bridge (2-10P,20P)	DFB2-6.2 DFB3-6.2 DFB4-6.2 DFB5-6.2 DFB6-6.2 DFB7-6.2 DFB8-6.2 DFB9-6.2 DFB10-6.2		DFB2-6.2 DFB3-6.2 DFB4-6.2 DFB5-6.2 DFB6-6.2 DFB7-6.2 DFB8-6.2 DFB9-6.2 DFB10-6.2		DFB2-6.2 DFB3-6.2 DFB4-6.2 DFB5-6.2 DFB6-6.2 DFB7-6.2 DFB8-6.2 DFB9-6.2 DFB10-6.2			
End cover	D-DHV4-2L-MT				D-DHV4-2L-MT			
Partition plate	ATP-DS / ATP-PC N				ATP-DS / ATP-PC N			
Cover profile	AP3-COVER / AP3-T / AP3-T-KS				AP3-COVER / AP3-T / AP3-T-KS			
Marker	ZB6 / ZS6				ZB6 / ZS6			
Marker support	/				/			
Terminal strip marker support	DLM2 / KLM3-20x8 / KLM3-44x8				DLM2 / KLM3-20x8 / KLM3-44x8			
End clamp	E-PC 1100A / E-WS N				E-PC 1100A / E-WS N			
End cap	NS35/7.5-CAP NS35/15-CAP				NS35/7.5-CAP NS35/15-CAP			

Screw connection technology 3

Fuse terminal blocks



CE ENEC RoHS REACH

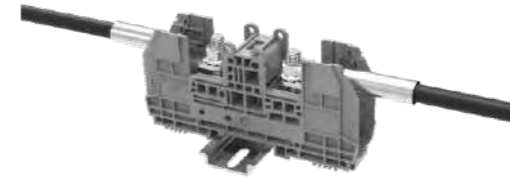
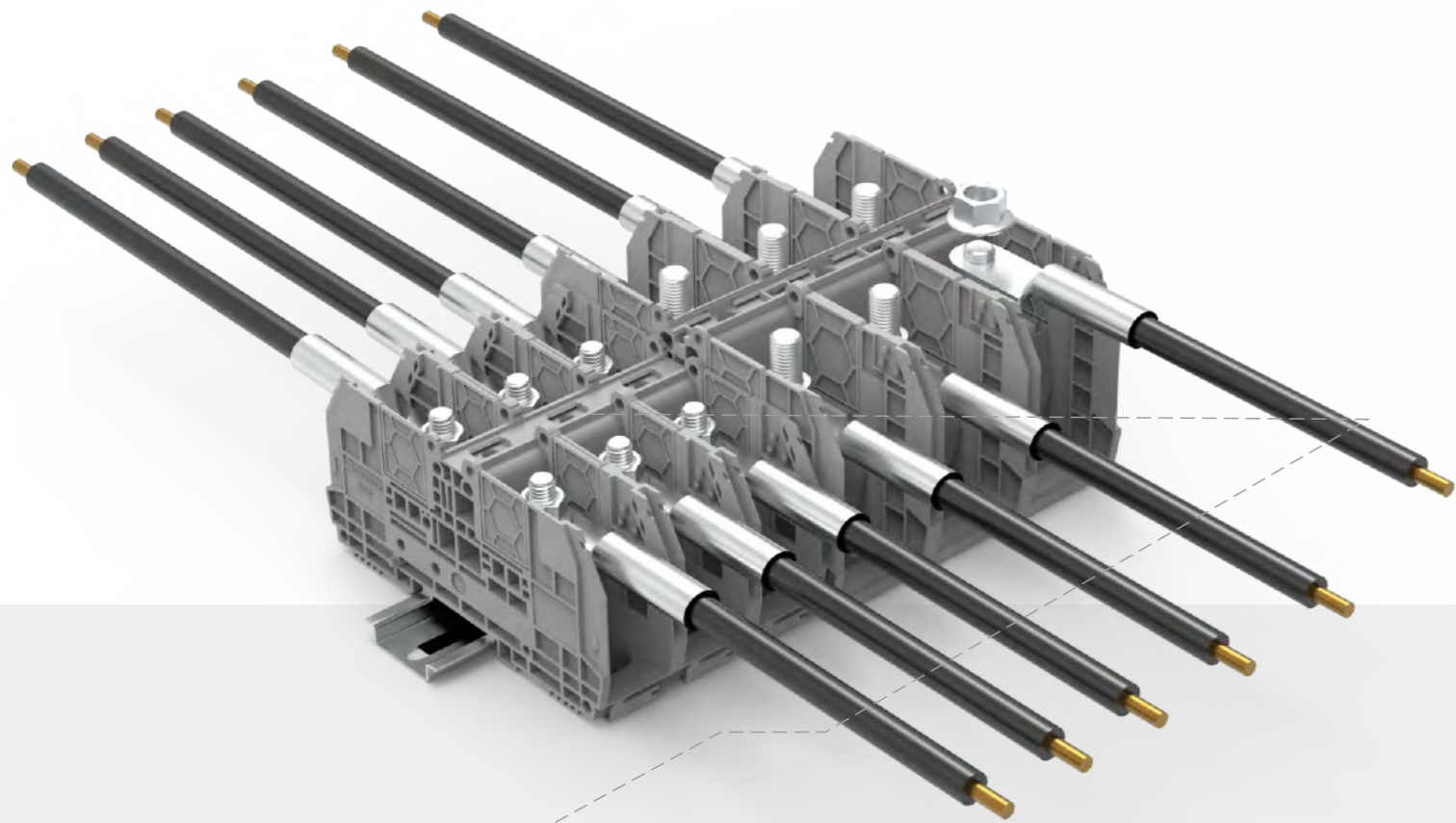
CE ENEC RoHS REACH

Order NO.	/				11020000357			
Width/Length/Height(NS35/7.5&NS35/15)	mm 6.2/100.5/104.8(112.3)				mm 6.2/100.5/104.8(112.3)			
Electrical Data	IEC IEC60947-7-1		IEC IEC60947-7-1		IEC IEC60947-7-1			
Rated voltage	V 60 (LED voltage range 30-60V)		250 (LED voltage range 110-250V)		250 (LED voltage range 110-250V)			
Rated current	A 6.3		6.3		6.3			
Rated cross section	mm ² /AWG 0.14-6		26-10		0.14-6		26-10	
Connection capacity	Solid	Stranded	Ferrule (with and without plastic sleeve)		Solid	Stranded	Ferrule (with and without plastic sleeve)	
1 conductor	mm ² 0.14-6	0.14-6	0.25-4	0.25-4	0.14-6	0.14-6	0.25-4	0.25-4
2 flexible conductors with a TWIN ferrule	mm ² -	-	-	0.25-2.5	-	-	-	0.25-2.5
General Information								
Insulation material/Flammability rating (according to UL 94)	PA/V0				PA/V0			
Operation temperatures	°C (°F) -40(-40)~105(221)				-40(-40)~105(221)			
Stripping length	mm 9-10				9-10			
Color	Black (please contact sales for other color requirements)				Black (please contact sales for other color requirements)			
Screw/Rated torque	-/N.m(lb.in)(kgf.cm) M3/0.5 (4.43) (5.1)				M3/0.5 (4.43) (5.1)			
Accessories								
Ferrule	/				/			
Slotted screwdriver size (Blade thickness x Width)	mm 0.6x3.5				0.6x3.5			
Screw	Slotted screw				Slotted screw			
Bridge (2-10P ,20P)	DFB2-6.2 DFB3-6.2 DFB4-6.2 DFB5-6.2 DFB6-6.2 DFB7-6.2 DFB8-6.2 DFB9-6.2 DFB10-6.2		DFB2-6.2 DFB3-6.2 DFB4-6.2 DFB5-6.2 DFB6-6.2 DFB7-6.2 DFB8-6.2 DFB9-6.2 DFB10-6.2		DFB2-6.2 DFB3-6.2 DFB4-6.2 DFB5-6.2 DFB6-6.2 DFB7-6.2 DFB8-6.2 DFB9-6.2 DFB10-6.2			
End cover	D-DHV4-2L-MT				D-DHV4-2L-MT			
Partition plate	ATP-DS / ATP-PC N				ATP-DS / ATP-PC N			
Cover profile	AP3-COVER / AP3-T / AP3-T-KS				AP3-COVER / AP3-T / AP3-T-KS			
Marker	ZB6 / ZS6				ZB6 / ZS6			
Marker support	/				/			
Terminal strip marker support	DLM2 / KLM3-20x8 / KLM3-44x8				DLM2 / KLM3-20x8 / KLM3-44x8			
End clamp	E-PC 1100A / E-WS N				E-PC 1100A / E-WS N			
End cap	NS35/7.5-CAP NS35/15-CAP				NS35/7.5-CAP NS35/15-CAP			

BS Bolt Connection Terminal Blocks

Feature

- BS Bolt connection terminal blocks, with bolt connection technology, secure connection
- Multiple cable ends can be connected with a single screw, which can be used for power feed
- Closed structure design at both ends, with protective cover, safe and anti-touch
- Compatible with the marking system to clearly identify the working area
- Equipped with test hole in the middle, easy to test the circuit



Bolt connection

BS Series products include BS8, BS10 bolt connection terminal blocks, can connect wires with diameters from 2.5mm² to 150mm²



Removable cover

Closed structure design at both ends, with protective cover, safe and anti-touch



Flexible installation

Variety installation methods, available for panel & Rail mounted

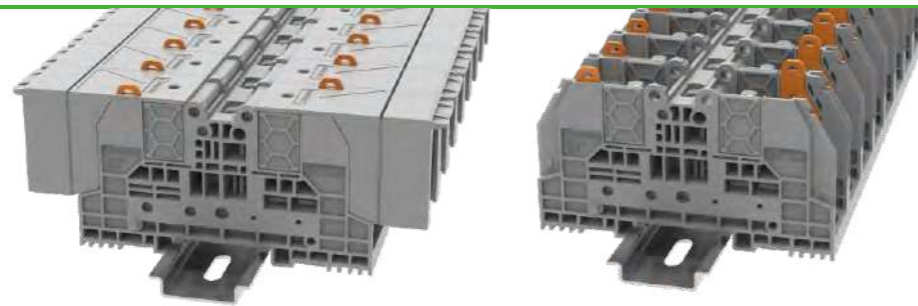
BS Series

HOW TO ORDER BS SERIES

BS8	GY	
Series No.	Color	
	GY	Grey
	BU	Blue
	BK	Black
	OG	Orange
	RD	Red
	FE	Yellow/Black Mixed Color

Bolted connection technology

Bolt type straight through terminal blocks

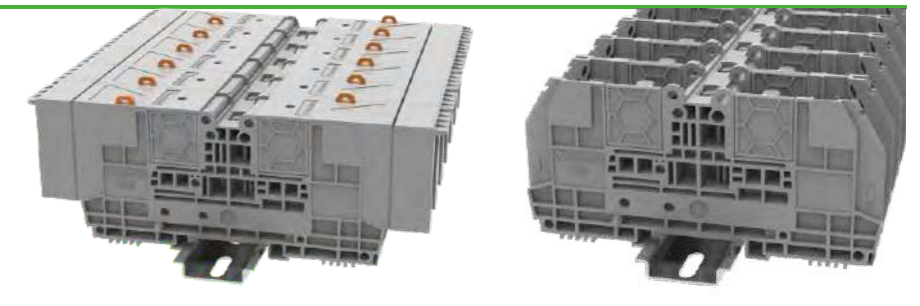

BS6

BS6 N
CE RoHS REACH
CE RoHS REACH

Order NO.	11070000005				11070000006			
Width/Length/Height(NS35/7.5&NS35/15) mm	27/155/58.5(66)				27/107/52.5(60)			
Electrical Data	IEC IEC60947-7-1		UL UL1059		IEC IEC60947-7-1		UL UL1059	
Rated voltage V	1000		600		1000		600	
Rated current A	125		115		125		115	
Rated cross section mm ² / kcmil	2.5-35		16-12		2.5-35		16-12	
Connection capacity	Solid	Stranded	Ferrule (with and without plastic sleeve)		Solid	Stranded	Ferrule (with and without plastic sleeve)	
1 conductor mm ²	2.5-35	2.5-35	6-35	6-35	2.5-35	2.5-35	6-35	6-35
2 flexible conductors with a TWIN ferrule mm ²	—	—	—	—	—	—	—	—
General Information								
Insulation material/Flammability rating (according to UL 94)	PA/V0				PA/V0			
Operation temperatures °C (°F)	-40(-40)~105(221)				-40(-40)~105(221)			
Stripping length mm	Determined according to the selected specification of ferrules				Determined according to the selected specification of ferrules			
Color	Grey, Red, Blue (please contact sales for other color requirements)				Grey, Red, Blue (please contact sales for other color requirements)			
Screw/Rated torque -/N.m(lb.in)(kgf.cm)	M6/3-6(33.9-67.4)				M6/3-6(33.9-67.4)			
Accessories								
Ferrule	OT/DT Ferrule,6-35				OT/DT Ferrule,6-35			
External hexagonal wrench (specification)	External hexagonal wrench(M6)				External hexagonal wrench(M6)			
Maximum conductor joint width mm	18				18			
Bridge (2-3P)	BS6-VB2 / BS6-VB3				BS6-VB2 / BS6-VB3			
End cover	/				/			
Marker	ZT12 / ZS12				ZT12 / ZS12			
Marker support	KLM3-20x8 / KLM3-44x8				KLM3-20x8 / KLM3-44x8			
Terminal strip marker support	DLM2 / KLM3-20x8 / KLM3-44x8				DLM2 / KLM3-20x8 / KLM3-44x8			
End clamp	E-PC 1100A / E-WS N				E-PC 1100A / E-WS N			
End cap	NS35/7.5-CAP NS35/15-CAP				NS35/7.5-CAP NS35/15-CAP			
Cover	HC-BS6-GY				HC-BS6-GY			

Bolted connection technology

Bolt type straight through terminal blocks


BS8

BS8 N
CE RoHS REACH
CE RoHS REACH








Order NO.	11070000001				11070000002			
Width/Length/Height(NS35/7.5&NS35/15) mm	29/184/70.7(78.2)				29/136/70.7(78.2)			
Electrical Data	IEC IEC60947-7-1		UL UL1059		IEC IEC60947-7-1		UL UL1059	
Rated voltage V	1000		600		1000		600	
Rated current A	192		175		192		175	
Rated cross section mm ² /AWG	2.5-70		16-2/0		2.5-70		16-2/0	
Connection capacity	Solid	Stranded	Ferrule (with and without plastic sleeve)		Solid	Stranded	Ferrule (with and without plastic sleeve)	
1 conductor mm ²	2.5-70	2.5-70	6-70	6-70	2.5-70	2.5-70	6-70	6-70
2 flexible conductors with a TWIN ferrule mm ²	—	—	—	—	—	—	—	—
General Information								
Insulation material/Flammability rating (according to UL 94)	PA/V0				PA/V0			
Operation temperatures °C (°F)	-40(-40)~105(221)				-40(-40)~105(221)			
Stripping length mm	Determined according to the selected specification of ferrules				Determined according to the selected specification of ferrules			
Color	Grey, Red, Blue (please contact sales for other color requirements)				Grey, Red, Blue (please contact sales for other color requirements)			
Screw/Rated torque -/N.m(lb.in)(kgf.cm)	M8/6-12 (67.3-135.6)				M8/6-12 (67.3-135.6)			
Accessories								
Ferrule	OT/DT Ferrule,6-70				OT/DT Ferrule,6-70			
External hexagonal wrench (specification)	External hexagonal wrench(M8)				External hexagonal wrench(M8)			
Maximum conductor joint width mm	22				22			
Bridge (2-3P)	BS8-VB2 / BS8-VB3				BS8-VB2 / BS8-VB3			
End cover	/				/			
Marker	ZT12 / ZS12				ZT12 / ZS12			
Marker support	KLM3-20x8 / KLM3-44x8				KLM3-20x8 / KLM3-44x8			
Terminal strip marker support	DLM2 / KLM3-20x8 / KLM3-44x8				DLM2 / KLM3-20x8 / KLM3-44x8			
End clamp	E-PC 1100A / E-WS N				E-PC 1100A / E-WS N			
End cap	NS35/7.5-CAP NS35/15-CAP				NS35/7.5-CAP NS35/15-CAP			
Cover	HC-BS8-GY				HC-BS8-GY			

Bolted connection technology

Bolt type straight through terminal blocks


BS10

BS10 N
CE RoHS REACH
CE RoHS REACH

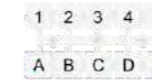
Order NO.	1107000003				1107000004			
Width/Length/Height(NS35/7.5&NS35/15) mm	41/235/86(93.5)				41/144/86(93.5)			
Electrical Data	IEC IEC60947-7-1		UL UL1059		IEC IEC60947-7-1		UL UL1059	
Rated voltage V	1000		600		1000		600	
Rated current A	309		310		309		310	
Rated cross section mm ² / kcmil	6-150		10-350		6-150		10-350	
Connection capacity	Solid	Stranded	Ferrule (with and without plastic sleeve)		Solid	Stranded	Ferrule (with and without plastic sleeve)	
1 conductor mm ²	6-150	6-150	6-150	6-150	6-150	6-150	6-150	6-150
2 flexible conductors with a TWIN ferrule mm ²	—	—	—	—	—	—	—	—
General Information								
Insulation material/Flammability rating (according to UL 94)	PA/V0				PA/V0			
Operation temperatures °C (°F)	-40(-40)~105(221)				-40(-40)~105(221)			
Stripping length mm	Determined according to the selected specification of ferrules				Determined according to the selected specification of ferrules			
Color	Grey, Red, Blue (please contact sales for other color requirements)				Grey, Red, Blue (please contact sales for other color requirements)			
Screw/Rated torque -/N.m(lb.in)/(kgf.cm)	M10/10-20(113-226)				M10/10-20(113-226)			
Accessories								
Ferrule	OT/DT Ferrule,6-150				OT/DT Ferrule,6-150			
External hexagonal wrench (specification)	External hexagonal wrench(M10)				External hexagonal wrench(M10)			
Maximum conductor joint width mm	30				30			
Bridge (2-3P) 	BS10-VB2 / BS10-VB3				BS10-VB2 / BS10-VB3			
End cover	/				/			
Marker 	ZT12 / ZS12				ZT12 / ZS12			
Marker support 	KLM3-20x8 / KLM3-44x8				KLM3-20x8 / KLM3-44x8			
Terminal strip marker support 	DLM2 / KLM3-20x8 / KLM3-44x8				DLM2 / KLM3-20x8 / KLM3-44x8			
End clamp 	E-PC 1100A / E-WS N				E-PC 1100A / E-WS N			
End cap 	NS35/7.5-CAP NS35/15-CAP				NS35/7.5-CAP NS35/15-CAP			
Cover 	HC-BS10-GY				HC-BS10-GY			

Marking System

Degson printer marking system, providing a complete solution for industrial site identification case. Our thermal transfer printers and laser printers provide customers with terminal blocks marker, wire marker, device marker Printing Service



Marking System



Terminal Blocks Marker



Cable Marker



Device Marker

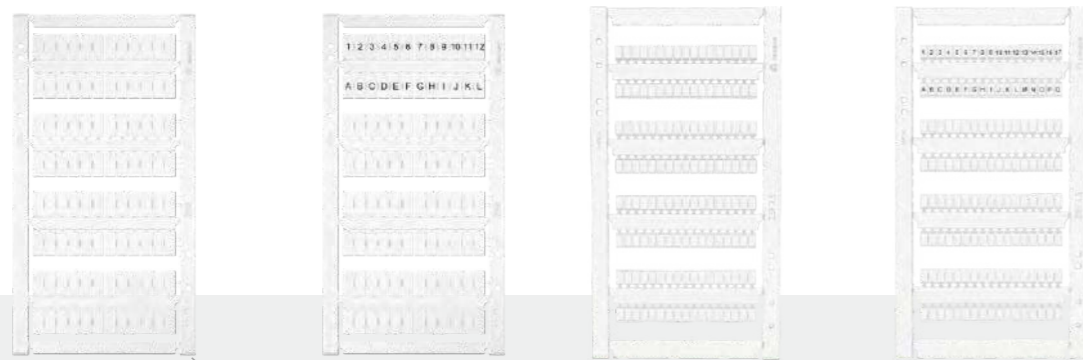


Accessories

Marking System

Marking System

The Vario plotter is easy to operate and can feed the request for batches printing. PTT thermal transfer printer can print ZS, ZSF series markers in high speed.



Marking System

Vario Writing Machine



- Flexible drawing function to realize various marker printing. Automatic calibration of printing requirements for better marks Influence
- Large area recognition area, batch printing

PTT Thermal Transfer Printer



- Support plate printing to identify terminals, suitable for ZS, ZSF series standard markers
- Thermal transfer printing technology to realize fast batch printing

Technical Data			
Dimension(mm)	Width	Length	High
		470	480
Marking area (mm)	273x305		
Maximum drawing speed(mm/s)	40		
Interface	USB2.0		
Input voltage (V)	100-240VAC / 50-60 Hz		

Material Data

Description: The Vario writing machine

Type	Order NO.
PM-00A	9902000001

Accessories

Accessories	Order NO.
Template	99020000006
Writing pen	99020000004
Ink	99020000003

Technical Data			
Dimension(mm)	Width	Length	High
		345	218
Temperature range(°C)	0~45		
Print resolution(dpi)	300		
Maximum print width(mm)	102		
Interface	Ethernet / USB Type B / USB3.0 / RS232		

Material Data

Description: Plate Thermal Transfer Printer

Type	Order NO.
PTT	99020000073

Accessories

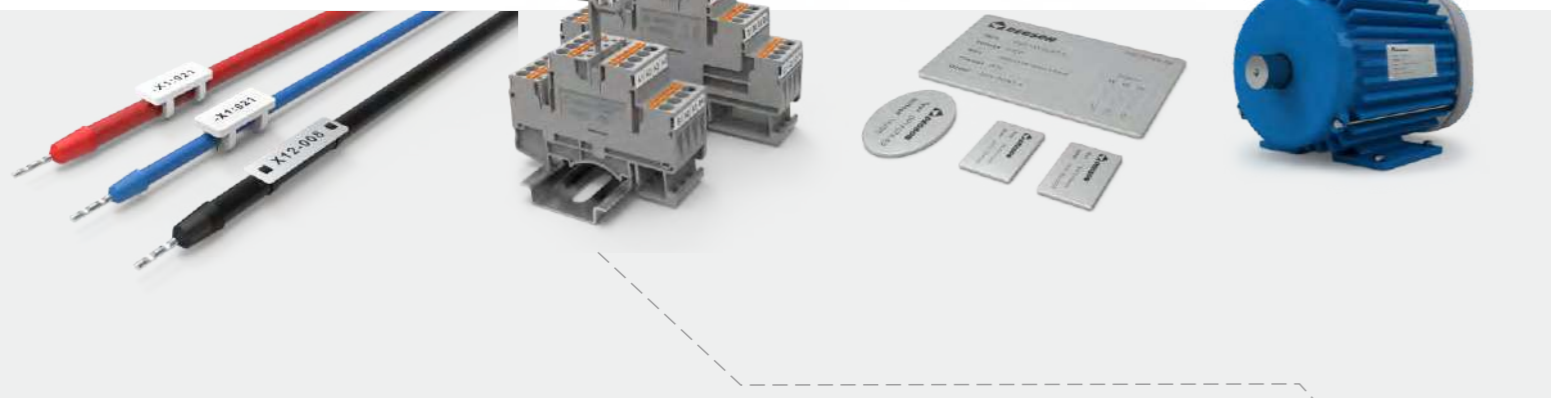
Accessories	Order NO.
ZS Fixture	99020000082
ZSF Fixture	99020000084
ZC5 Fixture	99020000083

Smart Laser

- CLASS 1 laser standard based on IEC 60825.
- Support plastic materials and aluminum & steel nameplate printing.
- With consumable conveyor belt, printing efficiency is higher.
- Smart screen can be edited and printed, making operation more convenient.



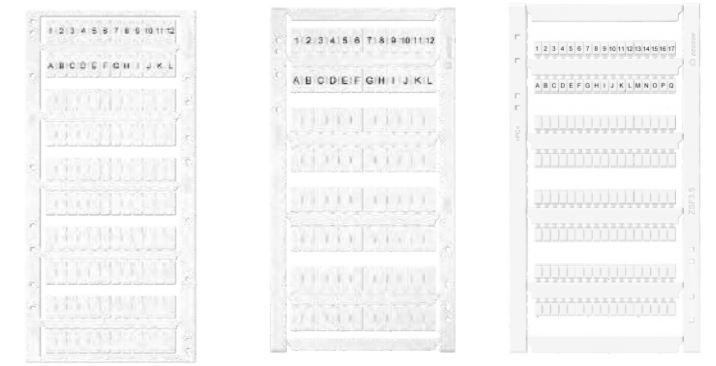
Marking System



Laser Printer



- Powerful and convenient to operate
- Class 1 laser, safety protection



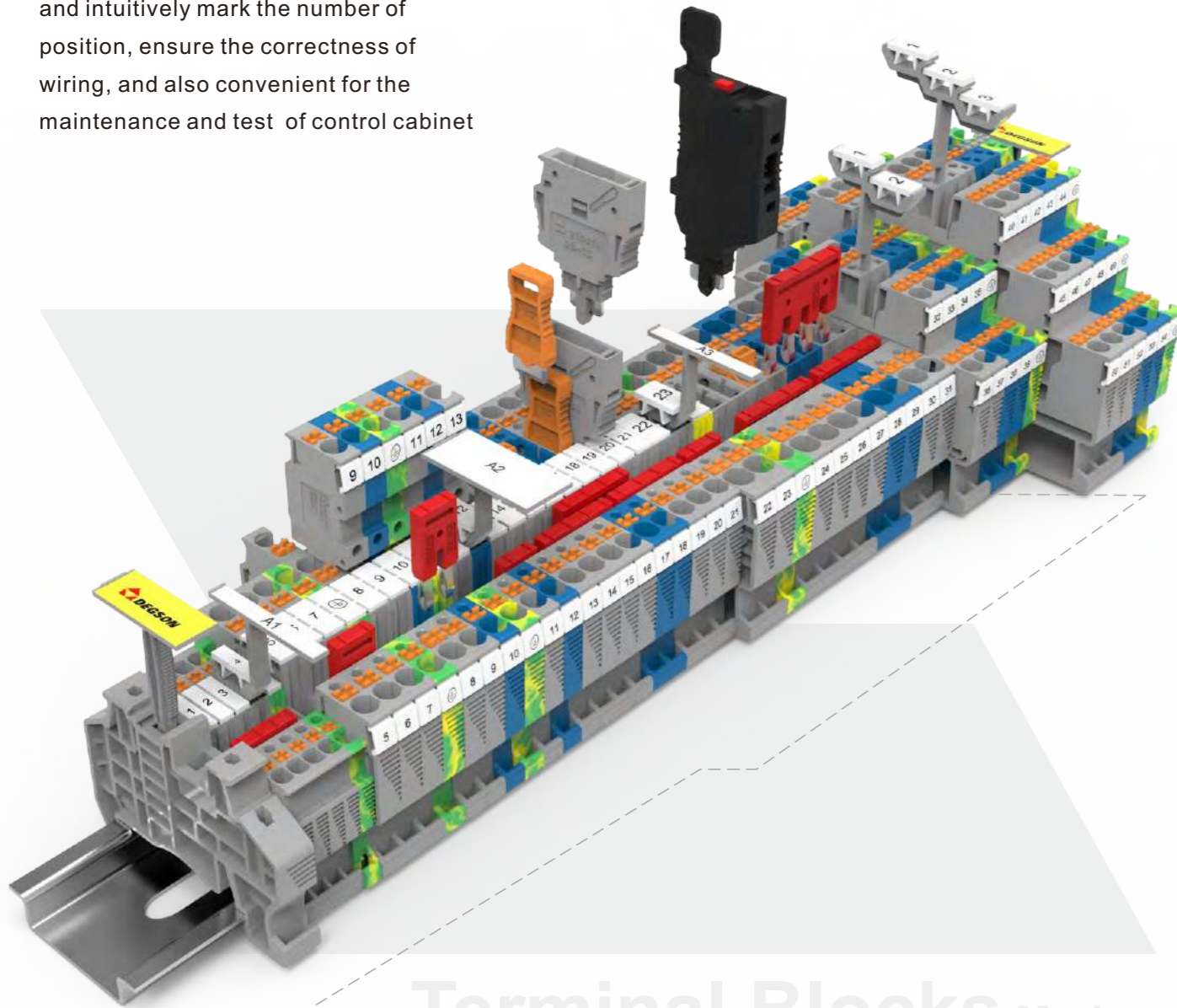
Material Data			
Type	Order No.	Applicable width(mm)	Number of positions
ZC5	92118901439	5.1	120
ZS3.5	11060000590	3.5	136
ZS5	11060000591	5.2	96
ZS6	11060000592	6.2	80
ZS8	11060000593	8.2	56
ZS10	11060000594	10.2	48
ZS12	11060000595	12.2	40
ZSF3.5	11060000596	3.5	136
ZSF5	11060000597	5.2	96
ZSF6	11060000598	6.2	80
ZSF8	11060000599	8.2	56
ZSF10	11060000600	10.2	48
ZSF12	11060000601	12.2	40
More

The customized service will be provided according to the special printing requirements of customers.

Marking System

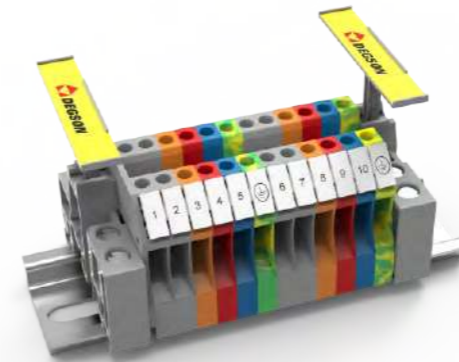
Terminal Blocks Marker

The terminal blocks markers can clearly and intuitively mark the number of position, ensure the correctness of wiring, and also convenient for the maintenance and test of control cabinet

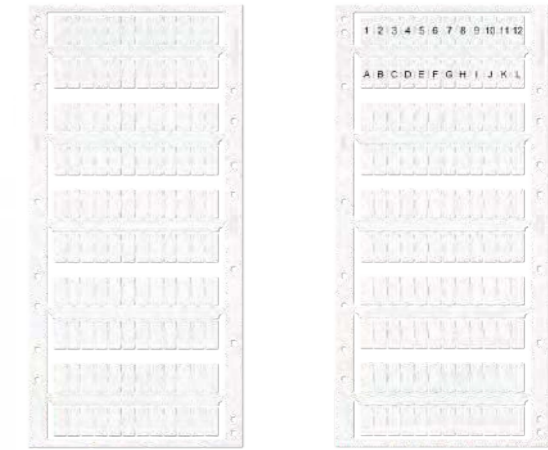


Terminal Blocks Marker

ZC Series Markers



- Easy to install and remove
- Markers available in various widths
- Marking service: according to the printing needs of different customers
- We can provide customized printing service



Technical Data

Applicable printer	Vario, Thermal Transfer Printer	
Marking material	PC	
Flammability rating, acc.to UL 94	V2	
Temperature range(°C)	-40~110	
Ingredient	Silicone and gluten free	
Applicable terminals	Terminal series	Installation location
	DC	Top

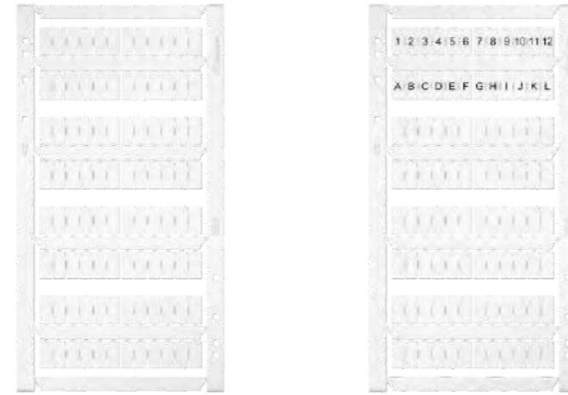
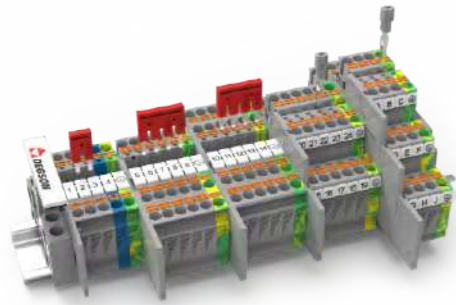
Material Data

Description: Marker strip, not printed
Color: White (please contact sales for other color requirements)

Type	Order NO.	Applicable width(mm)	Number of positions	Applicable markers
ZC5	92118901439	5.1	120	DC2.5 series

The customized service will be provided according to the special printing requirements of customers.

ZS Series Markers



- Top marker
- Easy to install and remove
- Markers available in various widths
- Marking service: according to the printing needs of different customers, we can provide customized printing service

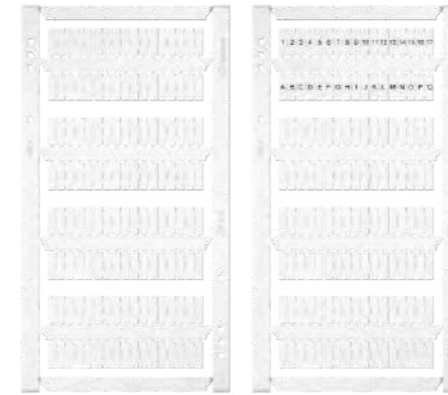
Technical Data		
Applicable printer	Vario, Thermal Transfer Printer	
Marking material	PC	
Flammability rating, acc.to UL 94	V2	
Temperature range(°C)	-40~110	
Ingredient	Silicone and gluten free	
Applicable terminals	Terminal series	Installation location
	DS / PC / DC / WS	Top

Material Data				
Description: Marker strip, not printed				
Color: White (please contact sales for other color requirements)				
Type	Order NO.	Applicable width(mm)	Number of positions	Applicable markers
ZS3.5	11060000590	3.5	136	DS1.5 series
ZS5	11060000591	5.2	96	DS2.5 / PC2.5 / DC2.5 / WS2.5 series
ZS6	11060000592	6.2	80	DS4 / PC4 / DC4 / WS4 series
ZS8	11060000593	8.2	56	DS6 / PC6 / DC6 / WS6 series
ZS10	11060000594	10.2	48	DS10 / PC10 / DC10 / WS10 series
ZS12	11060000595	12.2	40	DS16 / PC16 / DC16 / WS16 / PC35 / DC35 / WS35 / PC50 / DC50 / PC95 / DC 95 series

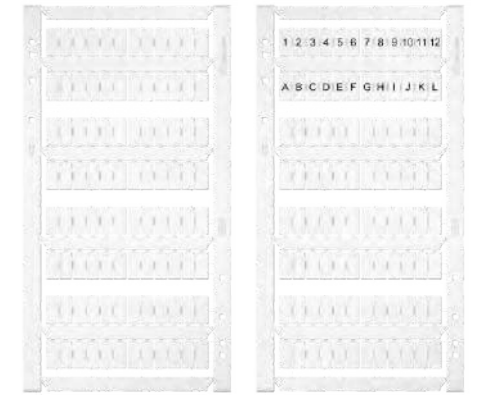
The customized service will be provided according to the special printing requirements of customers.

ZS Series Markers

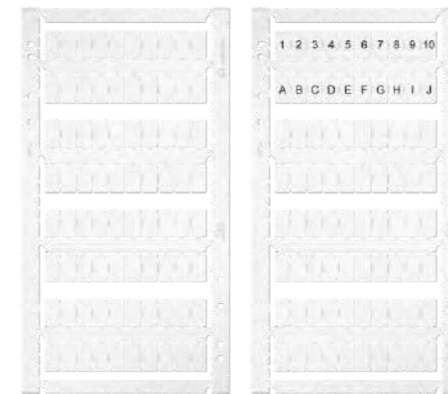
ZS series markers have: ZS3.5, ZS5, ZS6, ZS8, ZS10, ZS12 six series in total.



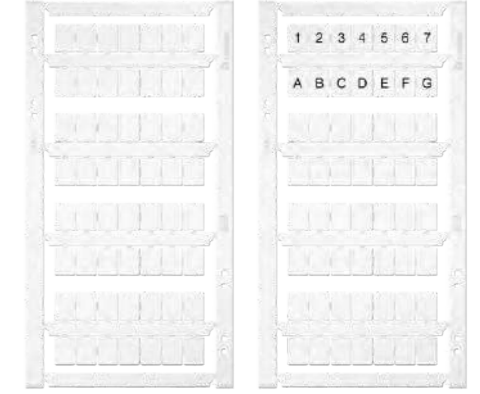
ZS3.5



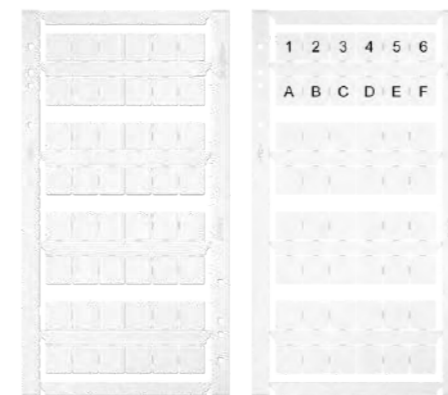
ZS5



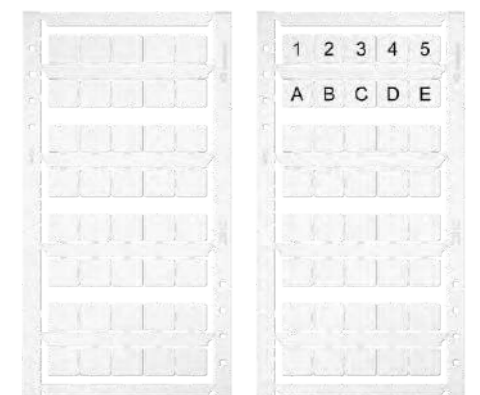
ZS6



ZS8

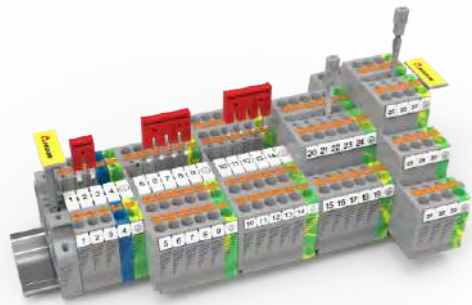


ZS10

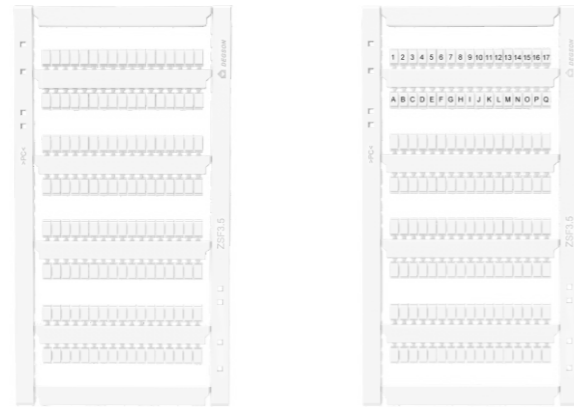


ZS12

ZSF Series Markers



- Side marker
- Easy to install and remove
- Markers available in various widths
- Marking service: according to the printing needs of different customers, we can provide customized printing service



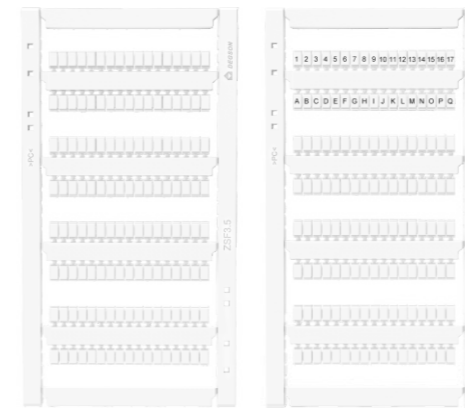
Technical Data		
Applicable printer	Vario, Thermal Transfer Printer	
Marking material	PC	
Flammability rating, acc.to UL 94	V2	
Temperature range(°C)	-40~110	
Ingredient	Silicone and gluten free	
Applicable terminals	Terminal series	Installation location
	DS	Side

Material Data				
Description: Marker strip, not printed				
Color: White (please contact sales for other color requirements)				
Type	Order NO.	Applicable width(mm)	Number of positions	Applicable markers
ZSF3.5	11060000596	3.5	136	DS1.5 / DSIO1.5 series
ZSF5	11060000597	5.2	96	DS2.5 / DSKK2.5 / DS2.5-3L series
ZSF6	11060000598	6.2	80	DS4 / DSKK4 series
ZSF8	11060000599	8.2	56	DS6 series
ZSF10	11060000600	10.2	48	DS10 series
ZSF12	11060000601	12.2	40	DS16 series

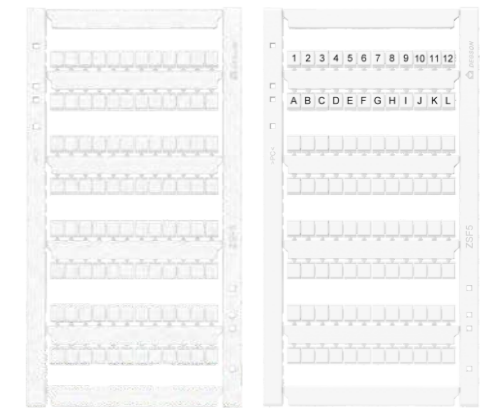
The customized service will be provided according to the special printing requirements of customers.

ZSF Series Markers

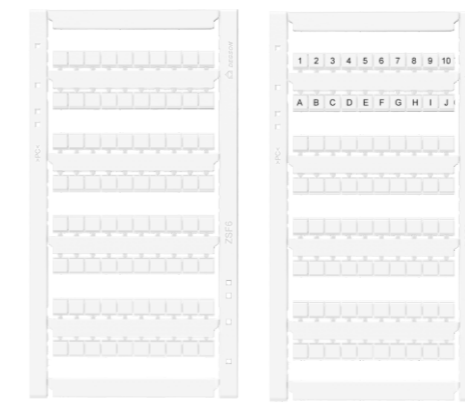
ZSF series markers have ZSF3.5, ZSF5, ZSF6, ZSF8, ZSF10, ZSF12 six series in total.



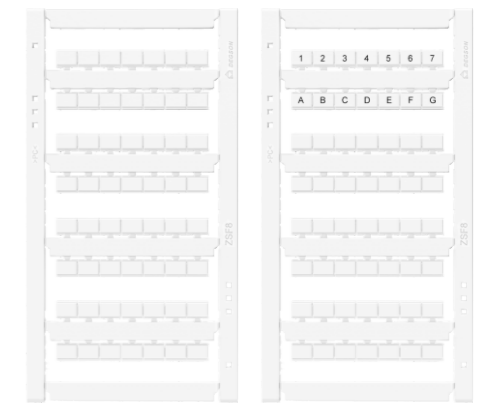
ZSF3.5



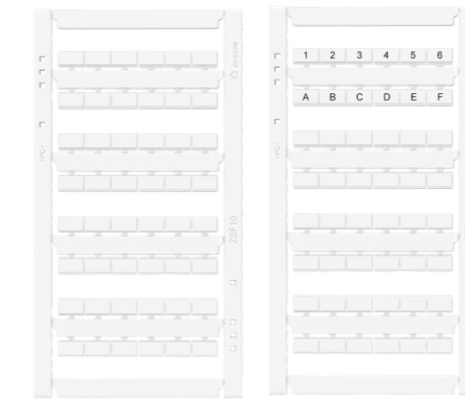
ZSF5



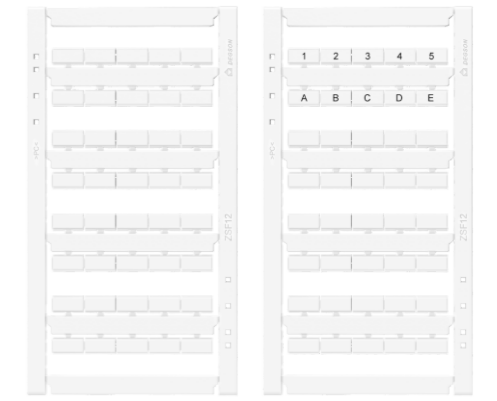
ZSF6



ZSF8

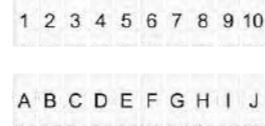


ZSF10



ZSF12

ZB Series Marker Strip



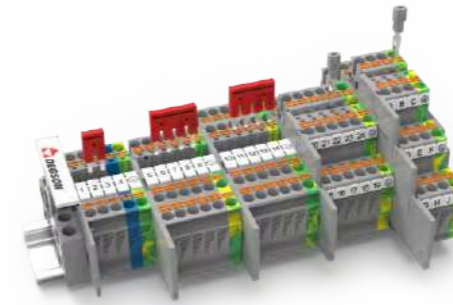
- Easy to install and remove
- Markers available in various widths
- Can be printed with Vario
- Marking service: according to the printing needs of different customers, we can provide customized printing service

Technical Data		
Applicable printer	Vario	
Marking material	PA	
Flammability rating, acc.to UL 94	V0	
Temperature range(°C)	-40~105	
Ingredient	Silicone and gluten free	
Applicable terminals	Terminal series	Installation location
	DS / PC / DC / WS	Top

Material Data				
Description: Marker strip, not printed				
Color: White (please contact sales for other color requirements)				
Type	Order NO.	Applicable width(mm)	Number of positions	Applicable markers
ZB3.5	92118900094	3.5	10	DS1.5 series
ZB4	92118900109	4.2	10	WS1.5 / PC1.5 series
ZB5	92118900129	5.2	10	DS2.5 / PC2.5 / DC2.5 / WS2.5 series
ZB6	92118900430	6.2	10	DS4 / PC4 / DC4 / WS4 series
ZB8	92118900578	8.2	10	DS6 / PC6 / DC6 / WS6 series
ZB10	92118900024	10.2	10	DS10 / PC10 / DC10 / WS10 / DS16 / PC16 / DC16 / WS16 / PC35 / DC35 / WS35 / PC50 / DC50 / PC95 / DC95 series

The customized service will be provided according to the special printing requirements of customers.

ZK Series Marker Strip



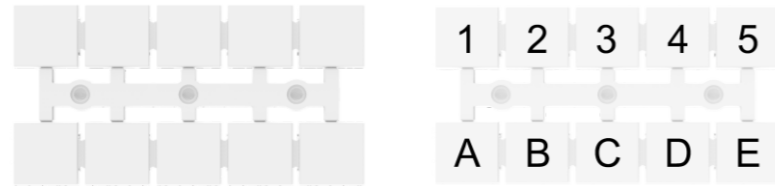
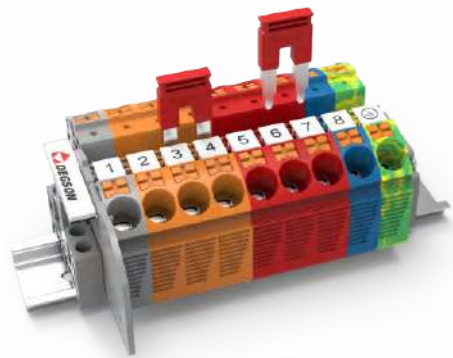
- Easy to install and remove
- Can be printed with Vario
- Marking service: according to the printing needs of different customers, we can provide customized printing service

Technical Data		
Applicable printer	Vario	
Marking material	PC	
Flammability rating, acc.to UL 94	V2	
Temperature range(°C)	-40~110	
Ingredient	Silicone and gluten free	
Applicable terminals	Terminal series	Installation location
	DS	Side

Material Data				
Description: Marker strip, not printed				
Color: White (please contact sales for other color requirements)				
Type	Order NO.	Applicable width(mm)	Number of positions	Applicable markers
ZK5	92118901170	5.2	24	DS2.5 / DSKK2.5 / DS2.5-3L series
ZK6	92118901207	6.2	20	DS4 / DSKK4 series

The customized service will be provided according to the special printing requirements of customers.

ZT Series Marker Strip

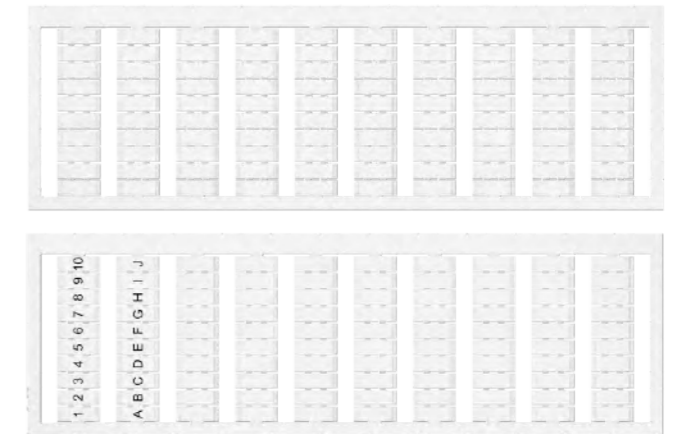


- Easy to install and remove
- Can be printed with Vario
- Marking service: according to the printing needs of different customers, we can provide customized printing service

Technical Data				
Applicable printer	Vario			
Marking material	PC			
Flammability rating, acc.to UL 94	V2			
Temperature range(°C)	-40~110			
Ingredient	Silicone and gluten free			
Applicable terminals	Terminal series	Installation location		
	DS / WS / PC / DC	Top		
Material Data				
Description: Marker strip, not printed				
Color: White (please contact sales for other color requirements)				
Type	Order NO.	Applicable width(mm)	Number of positions	Applicable markers
ZT12	92118901290	12.2	10	DS16 / PC16 / DC16 / WS16 / PC35 / DC35 / WS35 / PC50 / DC50 / PC95 / DC 95 series

The customized service will be provided according to the special printing requirements of customers.

WB Series Markers

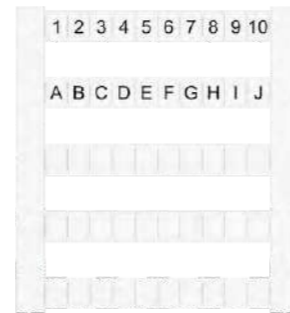


- Easy to install and remove
- Available in 4mm and 5mm widths
- Can be printed with Vario
- Marking service: according to the printing needs of different customers, we can provide customized printing service

Technical Data				
Applicable printer	Vario			
Marking material	PA			
Flammability rating, acc.to UL 94	V0			
Temperature range(°C)	-40~105			
Ingredient	Silicone and gluten free			
Applicable terminals	Terminal series	Installation location		
	WS	Top		
Material Data				
Description: Marker strip, not printed				
Color: White (please contact sales for other color requirements)				
Type	Order NO.	Applicable width(mm)	Number of positions	Applicable markers
WB4	92118900841	4	100	WS1.5 series
WB5	92118900002	5	100	WS2.5 / WS4 / WS6 / WS10 / WS16 series

The customized service will be provided according to the special printing requirements of customers.

DEK Series Markers



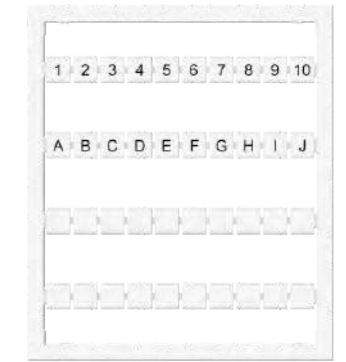
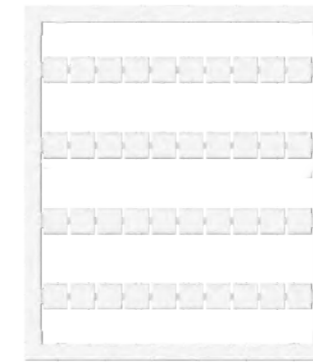
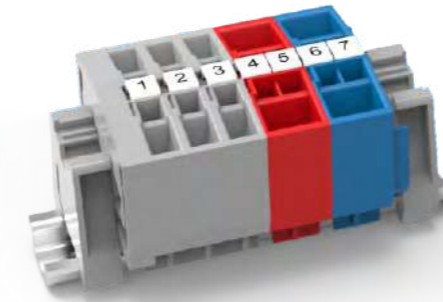
- Easy to install and remove
- Markers available in various widths
- Can be printed with Vario
- Marking service: according to the printing needs of different customers, we can provide customized printing service

Technical Data		
Applicable printer	Vario	
Marking material	PA	
Flammability rating, acc.to UL 94	V0	
Temperature range(°C)	-40~105	
Ingredient	Silicone and gluten free	
Applicable terminals	Terminal series	Installation location
	WS	Side

Material Data				
Description: Marker strip, not printed				
Color: White (please contact sales for other color requirements)				
Type	Order NO.	Applicable width(mm)	Number of positions	Applicable markers
DEK4	92118900750	4	50	WS1.5 / WS1.5T-DB series
DEK5	92118900753	5	50	WS2.5 / WS1.5-DB / WS2.5T-DB series
DEK6	92118900791	6	50	WS4 / WS2.5-DB series

The customized service will be provided according to the special printing requirements of customers.

ZW Series Markers



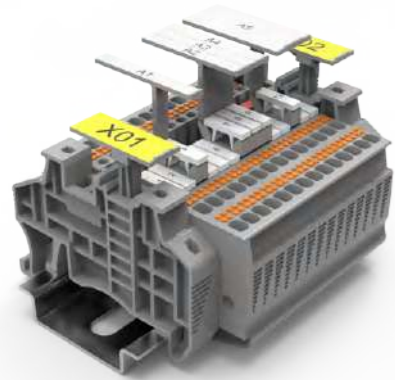
- Easy to install and remove
- Markers available in various widths
- Can be printed with Vario
- Marking service: according to the printing needs of different customers, we can provide customized printing service

Technical Data		
Applicable printer	Vario	
Marking material	PA	
Flammability rating, acc.to UL 94	V0	
Temperature range(°C)	-40~105	
Ingredient	Silicone and gluten free	
Applicable terminals	Terminal series	Installation location
	WS	Top

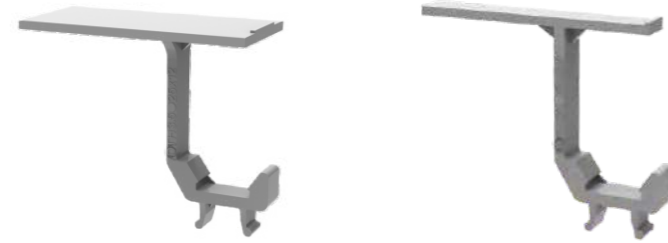
Material Data				
Description : Marker strip, not printed				
Color: White (please contact sales for other color requirements)				
Type	Order NO.	Applicable width(mm)	Number of positions	Applicable markers
ZW5	92118900703	5.1	40	WS2.5-DIN15 / WS2.5-DIN35 / WS2.5-MID-CO / WS2.5-END-CO / WS2.5T-MID-CO / WS2.5T-END-CO series

The customized service will be provided according to the special printing requirements of customers.

DTH Marker Carrier



- Marking directly on the terminal blocks
- Suitable for 3.5mm and 5.2mm width terminals
- Extended Marking area
- Marking can be done directly with self-adhesive labels



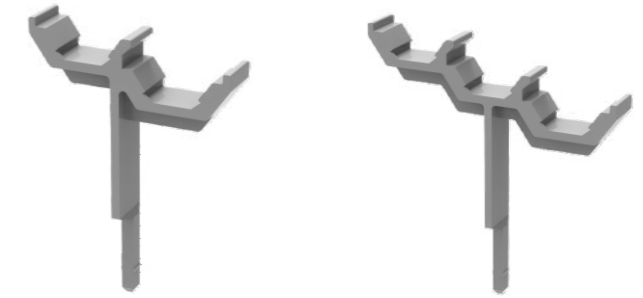
Technical Data				
Marking material	PA			
Flammability rating, acc.to UL 94	V0			
Temperature range(°C)	-40~105			
Ingredient	Silicone and gluten free			
Material Data				
Description: Stuck in the center of the terminal, can be directly marked with DML labels, ZS3.5 or ZS5 installed on the bottom				
Color: Grey (please contact sales for other color requirements) Labels for reel printers				
Type	Order NO.	Foot width (mm)	Marking range(mm)	Applicable markers
DTH3.5-25x3.5	10060000570	3.5	25x3.5	DS1.5 / WS1.5 series
DTH3.5-25x12	10060000567	3.5	25x12	DS1.5 / WS1.5 series
DTH5-25x5	10060000569	5	25x5	DS2.5 / WS2.5 series
DTH5-25x12	10060000568	5	25x12	DS2.5 / WS2.5 series
Label				
Type	Order NO.	Marking range(mm)	Labels for reel printers	
DML(25x3.5)-WH	99050000004	25x3.5	1 reel=10000 pcs markers	
DML(25x3.5)-YE	99050000005	25x3.5	1 reel=10000 pcs markers	
DML(25x12)-WH	99050000008	25x12	1 reel=10000 pcs markers	
DML(25x12)-YE	99050000009	25x12	1 reel=10000 pcs markers	
DML(25x5)-WH	99050000006	25x5	1 reel=10000 pcs markers	
DML(25x5)-YE	99050000007	25x5	1 reel=10000 pcs markers	

The customized service will be provided according to the special printing requirements of customers.

DMTH Marker Bracket, Using For Marking Multi-level Terminals



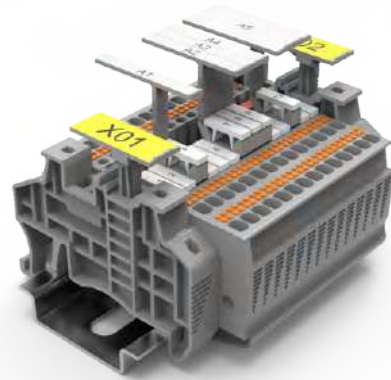
- Increase the size of the sign area
- Marker brackets can be mounted over multi-level terminals



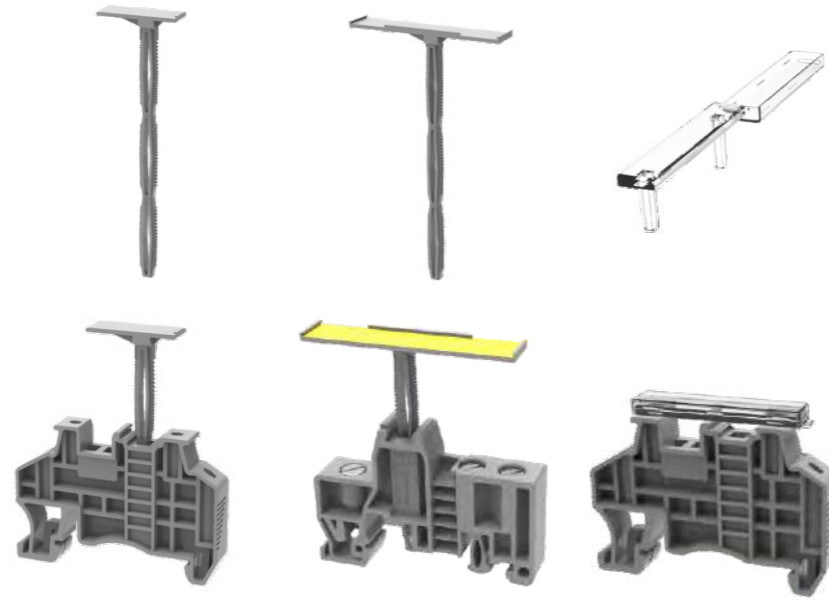
Technical Data				
Marking material	PA			
Flammability rating, acc.to UL 94	V0			
Temperature range(°C)	-40~105			
Ingredient	Silicone and gluten free			
Material Data				
Description: Marker strip, not printed				
Color: Grey (please contact sales for other color requirements)				
Type	Order NO.	Number of shelf layers	Applicable terminals	Applicable markers
DMTH5-2	11060000588	Double-layer	DSKK2.5 / WSKK2.5 / DSKK4	ZS5 / ZB5
DMTH5-3	11060000589	Triple-layer	DS2.5-3L	ZS5 / ZB5

The customized service will be provided according to the special printing requirements of customers.

Terminal Blocks Marker



- KLM series product dedicated to E-PC-1100A(H)/E-WS End stopper
- The height of marking area is adjustable
- Three-section support bar can be cut at will



Technical Data

Marking material	PA
Flammability rating, acc.to UL 94	V0
Temperature range(°C)	-40~105

Material Data

Description: Terminal strip markers, height can be adjusted and cut
Color: White (please contact sales for other color requirements)

Type	Order NO.	Applicable end stopper	Marking range(mm)
KLM3-20x8	10060000573	E-PC-1100A / E-WS N	20x8
KLM3-44x8	10060000574	E-PC-1100A / E-WS N / E-WS-5	44x8
EM	11060000739	E-WS N	/

Label

Type	Order NO.	Marking range(mm)	Labels for reel printers
DML(20x8)-WH	99050000002	20x8	1 reel=10000 pcs markers
DML(20x8)-YE	99050000020	20x8	1 reel=10000 pcs markers
DML(44x7)-WH	99050000010	44x7	1 reel=10000 pcs markers
DML(44x7)-YE	99050000011	44x7	1 reel=10000 pcs markers

The customized service will be provided according to the special printing requirements of customers.

DBE-1 Terminal Blocks Marker



- Can be mounted directly on DIN rail for terminal blocks marker
- Can be used alone or with DLM



Technical Data

Dimension(mm)		Width	Length	High
	DBE-1	15.6	44	45.6
DBE-2	9.5	43.5	45.9	

Marking material	PA
Flammability rating, acc.to UL 94	V0
Temperature range(°C)	-40~105

Material Data

Description: Terminal blocks marking
Color: Grey (please contact sales for other color requirements)

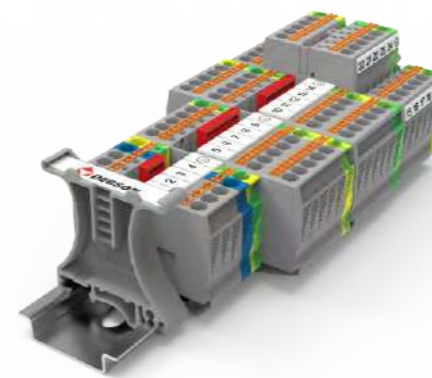
Type	Order NO.	Marking range(mm)
DBE-1	11060000210	41x13
DBE-2	11060000286	37x7

Label

Type	Order NO.	Marking range(mm)	Labels for reel printers
DML(41x13)-WH	99050000012	41x13	1 reel=10000 pcs markers
DML(41x13)-YE	99050000013	41x13	1 reel=10000 pcs markers
DML(37x7)-WH	99050000014	37x7	1 reel=10000 pcs markers
DML(37x7)-YE	99050000015	37x7	1 reel=10000 pcs markers

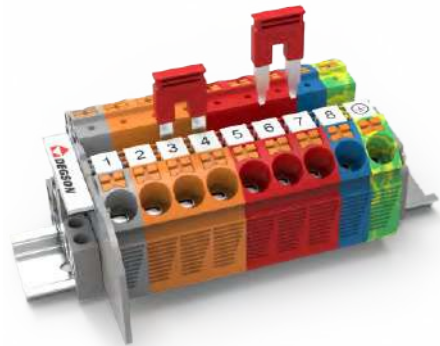
The customized service will be provided according to the special printing requirements of customers.

DBE-2 Terminal Blocks Marker



- Can be mounted directly on DIN rail for terminal blocks marker
- Can be used alone or with DLM

DLM Terminal Blocks Marker



- Use with DBE to realize the marking function



Technical Data			
Dimension(mm)	Width	Length	High
	9.5	46	36.8
Marking material	PC		
Flammability rating, acc.to UL 94	V2		
Temperature range(°C)	-40~110		
Material Data			
Description: Terminal blocks marking			
Color: Transparent (please contact sales for other color requirements)			
Type	Order NO.	Accessories	
DLM2	11060000214	DBE-1, DBE-2, E-PC series	

Warning Marker



Technical Data			
Marking material	PA		
Flammability rating, acc.to UL 94	V0		
Temperature range(°C)	-40~105		
Material Data			
Description: Safety warning marker for WS series			
Color: Yellow (please contact sales for other color requirements)			
Type	Order NO.	Applicable width(mm)	Applicable markers
EEA1.5	92118901391	4	WS1.5 series
EEA2.5	11060000064	5	WS2.5 series
EEA4	11060000065	6	WS4 series
EEA6	11060000066	8	WS6 series
EEA10	92118901059	10	WS10 series
EEA16	92118901060	12	WS16 series

- Warning marker are used to identify power terminal blocks
- Prevent mishandling the connection points of wires

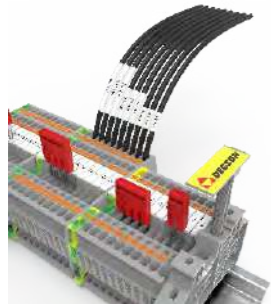
Cable Marker

Cable maker can clearly and intuitively mark the pin numbers of cables in the control cabinet and switch cabinet, making the installation and maintenance of components in the control cabinet easier and more efficient



Cable Marker

Mark Sleeves Heat Shrinkable Sleeves



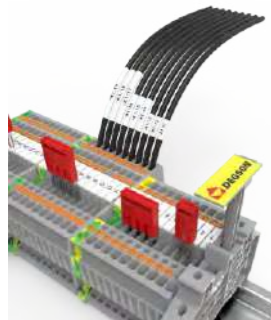
- CMS series marking sleeves for long-term cable marking
- Marker sleeves provide electrical insulation and mechanical protection of conductors
- CMS-HS series marking sleeves for long-term cable marking
- Prefabricated heat-shrinkable sleeves, fixed first and then heat-shrunked
- Thermal casing provide electrical insulation and mechanical protection of conductors



● Development

Technical Data		
Applicable printer	Reel printer	
Marking material	Polyolefin	
Temperature range(°C)	-55~125	
Scratch resistance	DIN EN 61010-1 (VDE 0411-1)	
Ingredient	Halogen Free	
Shrinkage	CMS	CMS-HS
	/	2:1
Material Data		
Description: Marking sleeve, Heat Shrinkable Sleeves for wire diameter xx mm		
Color: White (please contact sales for other color requirements)		
Type	Order NO.	Specification
CMS	/	1 reel = xx m
CMS-HS	/	1 reel = xx m , continuous

Wire-wrap Label



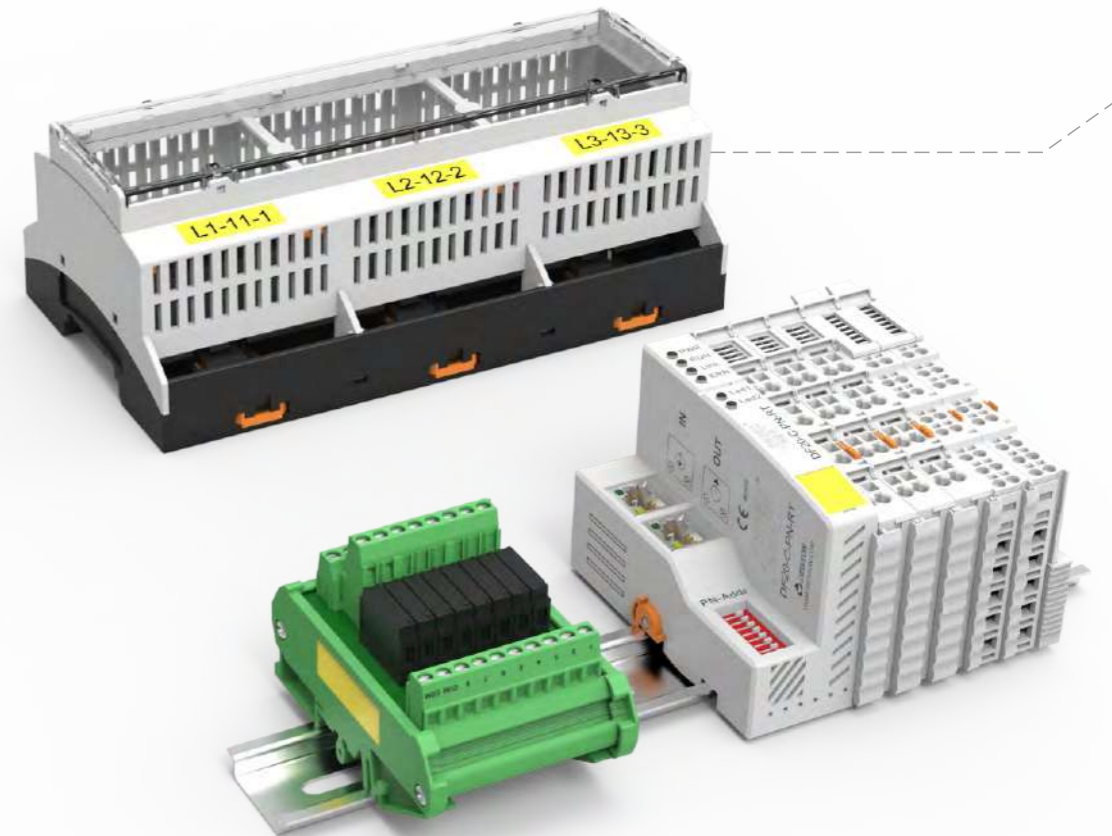
- high resistance to dirt and abrasion due to the protective laminate
- The wrap-around labels do not create any additional volume, so the cable can also be pulled through cable ducts, for example
- Quick and easy handling
- For cylindrical objects, single wires, and cables



Technical Data			
Applicable printer	Reel printer		
Marking material	Polyethylene		
Temperature range(°C)	-40~80		
Scratch resistance	DIN EN ISO 1518-1:2019-10		
Ingredient	Halogen Free		
Material Data			
Description: Wire-wrap label for wire diameter xx mm			
Color: White (please contact sales for other color requirements)			
Type	Order NO.	Marking range(mm)	Specification
CML3-(13x10)	/	13x10	1 reel = 5000 pcs label, Adaptable cable diameter up to 3mm
CML5-(25x10)	/	25x10	1 reel = 5000 pcs label, Adaptable cable diameter up to 5mm
CML7.5-(25x13)	/	25x13	1 reel = 5000 pcs label, Adaptable cable diameter up to 7mm
CML14-(25x19)	/	25x19	1 reel = 5000 pcs label, Adaptable cable diameter up to 14mm
CML22-(25x25)	/	25x25	1 reel = 5000 pcs label, Adaptable cable diameter up to 22mm
CML36(25x38)	/	25x38	1 reel = 5000 pcs label, Adaptable cable diameter up to 36mm

Device Marker

Device marker the surface of the equipment or electrical components, plays a role in identification, and can clarify the functions and application of the device or electrical components



Device Marker

Self-adhesive Device Markers for Buttons



- Self-adhesive markers for marking electronic buttons and indicators on control cabinets
- Printed content is tested against a variety of laboratory standards and can be used in harsh industrial environments

Technical Data			
Applicable printer	Button diameter		
Marking material	Polyester		
Temperature range(°C)	-40~120		
Scratch resistance	DIN EN 61010-1 (VDE 0411-1)		
Ingredient	Silicone and gluten free		
Material Data			
Color: White (please contact sales for other color requirements)			
Type	Order NO.	Button diameter(mm)	Specification
DML(25x12)-WH	99050000008	22	1 reel = 10000pcs
DML(25x12)-YE	99050000009	22	1 reel = 10000pcs

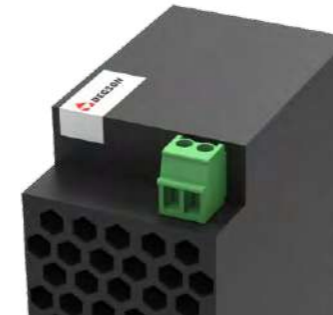
DML Self-adhesive Device Markers



- Self-adhesive labels can be used for marking on a variety of equipments can be used in harsh industrial environments

Technical Data			
Applicable printer	Reel printer		
Marking material	Polyester		
Temperature range(°C)	-40~150		
Scratch resistance	DIN EN 61010-1 (VDE 0411-1)		
Ingredient	Silicone and gluten free		
Material Data			
Description: Label, printable with thermal transfer printer			
Color: White (please contact sales for other color requirements)			
Type	Order NO.	Marking range(mm)	Specification
DML(20x8)-WH	990500000002	20x8	1 reel = 10000pcs
DML(20x8)-YE	990500000020		
DML(44x7)-WH	990500000010	44x7	1 reel = 10000pcs
DML(44x7)-YE	990500000011		
DML(25x5)-WH	990500000006	25x5	1 reel = 10000pcs
DML(25x5)-YE	990500000007		
DML(25x12)-WH	990500000008	25x12	1 reel = 10000pcs
DML(25x12)-YE	990500000009		
DML(41x13)-WH	990500000012	41x13	1 reel = 10000pcs
DML(41x13)-YE	990500000013		
DML(37x7)-WH	990500000014	37x7	1 reel = 10000pcs
DML(37x7)-YE	990500000015		
DML(20x12)-WH	990500000016	20x12	1 reel = 10000pcs
DML(20x12)-YE	990500000017		
DML(18x11)-WH	990500000018	18x11	1 reel = 10000pcs
DML(18x11)-YE	990500000019		

Self-adhesive PVC Device Markers, High Flexibility



- Highly flexible markers can be marked on curved and ribbed surfaces, can be used in harsh industrial environments

Development

Technical Data		
Applicable printer	Reel printer	
Marking material	PVC	
Temperature range(°C)	-40~90	
Scratch resistance	DIN EN 61010-1 (VDE 0411-1)	
Ingredient	Silicone and gluten free	
Material Data		
Description: Label, printable with thermal transfer printer		
Color: White (please contact sales for other color requirements)		
Type	Order NO.	Specification
DMLF(20x8)	/	1 reel = xx m
DMLF(20x12)	/	1 reel = xx m

Self-adhesive Device Marking, High Temperature



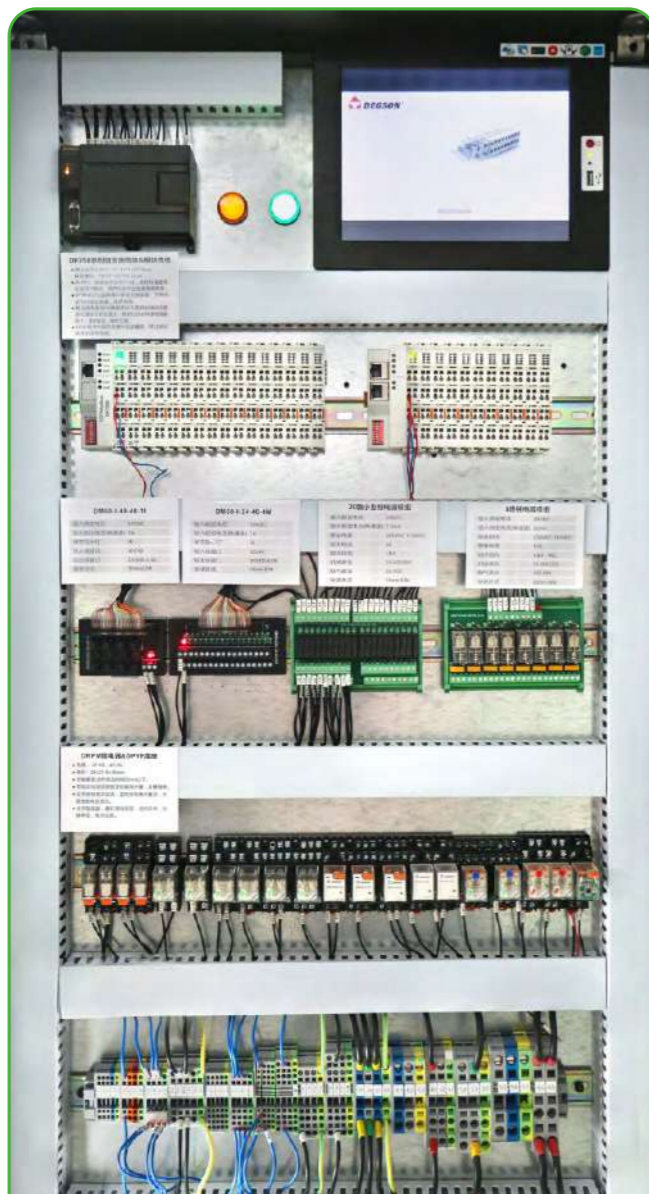
- High temperature labels for marking circuit boards

Development

Technical Data		
Applicable printer	Reel printer	
Marking material	Acrylate	
Temperature range(°C)	-40~180	
Scratch resistance	DIN EN 61010-1 (VDE 0411-1)	
Ingredient	Silicone and gluten free	
Material Data		
Description: Label, printable with thermal transfer printer		
Color: White (please contact sales for other color requirements)		
Type	Order NO.	Specification
DHTML(24x3)	/	1 reel = xx m
DHTML(24x4)	/	1 reel = xx m

Accessories

DIN rails and end stopper can ensure reliable connection of electrical connectors and components in the control cabinet, shielded terminal blocks can ensure that wiring conforms EMC standards, and wire slot can ensure a beautiful performance of layout in the cabinet.



Accessories

DIN Rail NS15, Short Type



- DIN rails are designed according to European EN60715 standard
- High dimensional accuracy and surface polishing
- All DIN rails are available in lengths upon request

Material Data				
Description: DIN-Rail, 1 meter length				
Type	Order NO.	Material	Hole(mm)	Height(mm)
NS15	92113900003	Steel/Blue and white Zn Plated	4.1x12	5.5

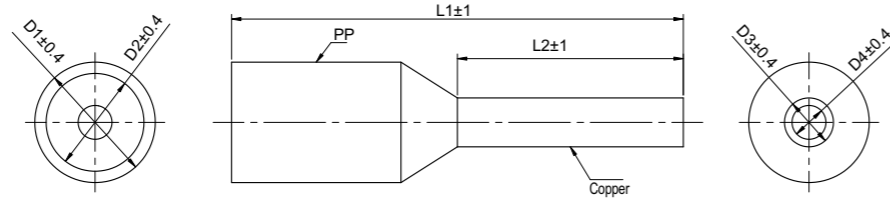
DIN Rail NS35, Short Type



- DIN rails are designed according to European EN60715 standard
- High dimensional accuracy and surface polishing
- All DIN rails are available in lengths upon request

Material Data					
Description: DIN-Rail, 1 meter length					
Type	Order NO.	Material	Hole(mm)	Height (mm)	Length (mm)
NS35/7.5	92113900022	steel/Zn Plated	6.2x15	7.5	1000
NS35/15	92113900005	Steel/Zn Plated	5.2x15	7.5	1000
NS35/7.5-AL	92113900037	Aluminum	5.2x15	7.5	1000

Single Conductor Ferrule



■ E-Series Ferrule

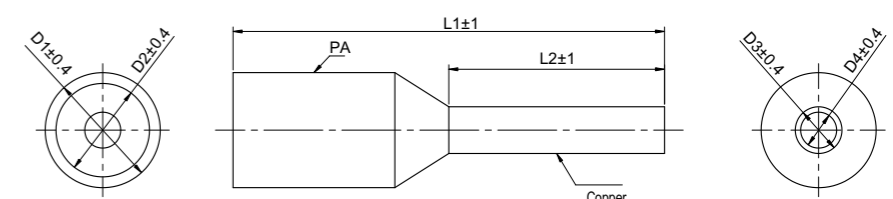
EXX-YY-ZZ ← ZZ : Insulating color
 ↑ YY : Length of metal pipe leakage(L2)
 ↑ XX : Cable Size

Technical Data	
Material	Copper
Insulation	PP
Temperature(°C)	105
Flammability rating, acc.to UL 94	V2
Plating	Tin

Model	Dimension(mm)						Cable Size		Insulating color (recommend)
	L1	L2	D1	D2	D3	D4	AWG	mm²	
E0.25-6-ZZ	10.5	6.0	2.6	2.0	1.1	0.6	#26	0.25	Light blue(LB)
E0.25-8-ZZ	12.5	8.0							
E0.34-6-ZZ	10.5	6.0	2.6	2.0	1.1	0.6	#24	0.34	Turquoise(TQ)
E0.34-8-ZZ	12.5	8.0							
E0.34-10-ZZ	14.5	10.0	3.2	2.6	1.3	0.9	#22	0.5	Orange(OG) White(WH)
E0.5-6-ZZ	12.0	6.0							
E0.5-8-ZZ	14.0	8.0	3.5	2.8	1.5	1.1	#20	0.75	White(WH) Gray(GY) Blue(BU)
E0.5-10-ZZ	16.0	10.0							
E0.5-12-ZZ	18.0	12.0	3.8	3.1	1.8	1.4	#18	1.0	Yellow(YE) Red(RD)
E0.75-6-ZZ	12.4	6.0							
E0.75-8-ZZ	14.6	8.0	4.3	3.7	2.0	1.6	#16	1.5	Red(RD) Black(BK)
E0.75-10-ZZ	16.4	10.0							
E0.75-12-ZZ	18.4	12.0	4.6	4.0	2.6	2.3	#14	2.5	Blue(BU) Gray(GY)
E1.0-6-ZZ	12.7	6.0							
E1.0-8-ZZ	14.6	8.0	5.4	4.9	3.2	2.8	#12	4.0	Gray(GY) Orange(OG)
E1.0-10-ZZ	16.4	10.0							
E1.0-12-ZZ	18.4	12.0	6.4	5.8	3.9	3.5	#10	6.0	Black(BK) Yellow(YE) Green(GN)
E1.5-8-ZZ	15.0	8.0							
E1.5-10-ZZ	17.0	10.0	8.2	7.6	4.9	4.5	#7	10.0	Ivory(IV) Red(RD) Brown(BN)
E1.5-12-ZZ	19.0	12.0							
E1.5-18-ZZ	25.0	18.0	9.8	9.0	6.2	5.8	#5	16.0	Green(GN) Blue(BU) Ivory(IV)
E2.5-8-ZZ	15.2	8.0							
E2.5-10-ZZ	17.2	10.0	11.7	10.7	7.9	7.5	#4	25.0	Brown(BN) Yellow(YE) Black(BK)
E2.5-12-ZZ	19.2	12.0							
E2.5-18-ZZ	25.2	18.0	13.3	12.7	8.7	8.3	#2	35.0	Beige(BE) Red(RD)
E4.0-10-ZZ	16.5	10.0							
E4.0-12-ZZ	19.5	12.0	17.2	16.0	14.3	13.5	#210	70.0	Yellow(YE)
E4.0-18-ZZ	25.5	18.0							
E6.0-10-ZZ	18.0	10.0							
E6.0-12-ZZ	20.2	12.0							
E6.0-18-ZZ	26.0	18.0							
E10-12-ZZ	21.1	12.0							
E10-18-ZZ	27.5	18.0							
E16-12-ZZ	22.2	12.0							
E16-18-ZZ	28.2	18.0							
E25-16-ZZ	28.0	16.0							
E25-22-ZZ	35.0	22.0							
E35-16-ZZ	30.0	16.0							
E35-25-ZZ	39.0	25.0							
E50-20-ZZ	36.0	20.0							
E50-25-ZZ	41.0	25.0							
E70-20-ZZ	36.0	20.0							
E70-25-ZZ	41.0	25.0							
E95-25-ZZ	44.0	25.0							

Model	Dimension(mm)						Cable Size		Insulating color (recommend)
	L1	L2	D1	D2	D3	D4	AWG	mm²	
E4.0-10-ZZ	16.5	10.0	5.4	4.9	3.2	2.8	#12	4.0	Gray(GY) Orange(OG)
E4.0-12-ZZ	19.5	12.0							
E4.0-18-ZZ	25.5	18.0	6.4	5.8	3.9	3.5	#10	6.0	Black(BK) Yellow(YE) Green(GN)
E6.0-10-ZZ	18.0	10.0							
E6.0-12-ZZ	20.2	12.0	8.2	7.6	4.9	4.5	#7	10.0	Ivory(IV) Red(RD) Brown(BN)
E6.0-18-ZZ	26.0	18.0							
E10-12-ZZ	21.1	12.0	9.8	9.0	6.2	5.8	#5	16.0	Green(GN) Blue(BU) Ivory(IV)
E10-18-ZZ	27.5	18.0							
E16-12-ZZ	22.2	12.0	11.7	10.7	7.9	7.5	#4	25.0	Brown(BN) Yellow(YE) Black(BK)
E16-18-ZZ	28.2	18.0							
E25-16-ZZ	28.0	16.0	13.3	12.7	8.7	8.3	#2	35.0	Beige(BE) Red(RD)
E25-22-ZZ	35.0	22.0							
E35-16-ZZ	30.0	16.0	15.7	15.0	10.9	10.5	#1	50.0	Olive(OL) Blue(BU)
E35-25-ZZ	39.0	25.0							
E50-20-ZZ	36.0	20.0	17.2	16.0	14.3	13.5	#210	70.0	Yellow(YE)
E50-25-ZZ	41.0	25.0							
E70-20-ZZ	36.0	20.0	19.7	18.2	15.3	14.7	#310	95.0	Red(RD)
E70-25-ZZ	41.0	25.0							
E95-25-ZZ	44.0	25.0							

Single Conductor Ferrule



■ ENY-Series Ferrule

ENYXX-YY-ZZ ← ZZ : Insulating color
 ↑ YY : Length of metal pipe leakage(L2)
 ↑ XX : Cable Size

Technical Data	
Material	Copper
Insulation	PA
Temperature(°C)	105
Flammability rating, acc.to UL 94	V0
Plating	Tin

Model	Dimension(mm)						Cable Size		Insulating color (recommend)
	L1	L2	D1	D2	D3	D4	AWG	mm²	
ENY0.25-6-ZZ	10.5	6.0	2.6	1.9	1.1	0.6	#26	0.25	Light blue(LB)
ENY0.25-8-ZZ	12.5	8.0							
ENY0.34-6-ZZ	10.5	6.0	2.6	1.9	1.1	0.6	#24	0.34	Turquoise(TQ)
ENY0.34-8-ZZ	12.5	8.0							
ENY0.34-10-ZZ	14.5	10.0	3.2	2.6	1.3	1.0	#22	0.5	Orange(OG) White(WH)
ENY0.5-6-ZZ	12.0	6.0							
ENY0.5-8-ZZ	14.0	8.0	3.5	2.8	1.5	1.0	#20	0.75	White(WH) Gray(GY) Blue(BU)
ENY0.5-10-ZZ	16.0	10.0							
ENY0.5-12-ZZ	18.0	12.0	4.0	3.3	1.8	1.4	#18	1.0	Yellow(YE) Red(RD)
ENY0.75-6-ZZ	12.4	6.0							
ENY0.75-8-ZZ	14.6	8.0	4.5	3.7	2.0	1.7	#16	1.5	Red(RD) Black(BK)
ENY0.75-10-ZZ	16.4	10.0							
ENY0.75-12-ZZ	18.4	12.0	4.7	3.9	2.6	2.3	#14	2.5	Blue(BU) Gray(GY)
ENY1.0-6-ZZ	12.7	6.0							
ENY1.0-8-ZZ	14.6	8.0	5.4	4.9	3.2	2.8	#12	4.0	Gray(GY) Orange(OG)
ENY1.0-10-ZZ	16.4	10.0							
ENY1.0-12-ZZ	18.4	12.0	6.4	5.8	3.9	3.5	#10	6.0	Black(BK) Yellow(YE) Green(GN)
ENY1.5-8-ZZ	15.0	8.0							
ENY1.5-10-ZZ	17.0	10.0	8.2	7.6	4.9	4.5	#7	10.0	Ivory(IV) Red(RD) Brown(BN)
ENY1.5-12-ZZ	19.0	12.0							
ENY1.5-18-ZZ	25.0	18.0	9.8	9.0	6.2	5.8	#5	16.0	Green(GN) Blue(BU) Ivory(IV)
ENY2.5-8-ZZ	15.2	8.0							
ENY2.5-10-ZZ	17.2	10.0	11.7	10.7	7.9	7.5	#4	25.0	Brown(BN) Yellow(YE) Black(BK)
ENY2.5-12-ZZ	19.2	12.0							
ENY2.5-18-ZZ	25.2	18.0	13.3	12.7	8.7	8.3	#2	35.0	Beige(BE) Red(RD)
ENY4.0-10-ZZ	17.7	10.0							
ENY4.0-12-ZZ	19.6	12.0	17.2	16.0	14.3	13.5	#210	70.0	Yellow(YE)
ENY4.0-18-ZZ	25.5	18.0							
ENY6.0-10-ZZ	19.0	10.0							
ENY6.0-12-ZZ	21.0	12.0							
ENY6.0-18-ZZ	27.0	18.0							
ENY10-12-ZZ	21.0	12.0							
ENY10-18-ZZ	27.0	18.0							
ENY16-12-ZZ	22.0	12.0							
ENY16-18-ZZ	28.0	18.0							
ENY25-16-ZZ	27.3	16.0							
ENY25-22-ZZ	33.5	22.0							
ENY35-16-ZZ	30.0	16.0							
ENY35-25-ZZ	39.0	25.0							
ENY50-20-ZZ	36.0	20.0							
ENY50-25-ZZ	41.0	25.0							
ENY70-20-ZZ	36.0	20.0							
ENY70-25-ZZ	41.0	25.0							
ENY95-25-ZZ	44.0	25.0							

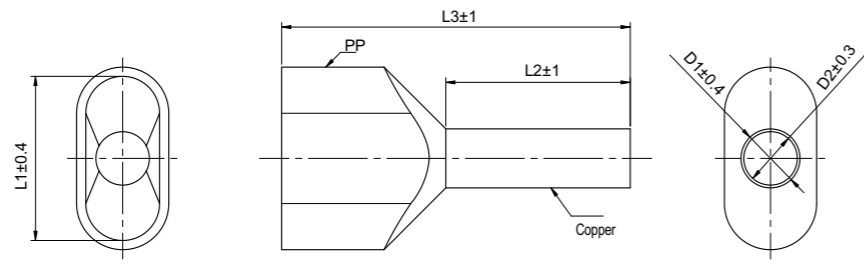
Model	Dimension(mm)						Cable Size		Insulating color (recommend)
	L1	L2	D1	D2	D3	D4	AWG	mm²	
ENY4.0-10-ZZ	17.7	10.0	5.8	4.8	3.2	2.8	#12	4.0	Gray(GY) Orange(OG)
ENY4.0-12-ZZ	19.6	12.0							
ENY4.0-18-ZZ	25.5	18.0	7.0	5.9	3.9	3.5	#10	6.0	Black(BK) Yellow(YE) Green(GN)
ENY6.0-10-ZZ	19.0	10.0							
ENY6.0-12-ZZ	21.0	12.0	8.0	7.5	4.9	4.5	#7	10.0	Ivory(IV) Red(RD) Brown(BN)
ENY6.0-18-ZZ	27.0	18.0							
ENY10-12-ZZ	21.0	12.0	9.7	9.0	6.2	5.8	#5	16.0	Green(GN) Blue(BU) Ivory(IV)
ENY10-18-ZZ	27.0	18.0							
ENY16-12-ZZ	22.0	12.0	11.8	10.7	7.9	7.5	#4	25.0	Brown(BN) Yellow(YE) Black(BK)
ENY16-18-ZZ	28.0	18.0							
ENY25-16-ZZ	27.3	16.0	13.4	12.1	8.6	8.3	#2	35.0	Beige(BE) Red(RD)
ENY25-22-ZZ	33.5	22.0							
ENY35-16-ZZ	30.0	16.0	15.9	14.8	10.9	10.5	#1	50.0	Olive(OL) Blue(BU)
ENY35-25-ZZ	39.0	25.0							
ENY50-20-ZZ	36.0	20.0	17.2	16.0	14.3	13.5	#210	70.0	Yellow(YE)
ENY50-25-ZZ	41.0	25.0							
ENY70-20-ZZ	36.0	20.0	19.2	18.2	15.5	14.7	#310	95.0	Red(RD)
ENY70-25-ZZ	41.0	25.0							
ENY95-25-ZZ	44.0	25.0							

Twin Conductor Ferrule



TE-Series Ferrule

TEXX-YY-ZZ ← ZZ : Insulating color
 ↑ YY : Length of metal pipe leakage(L2)
 ↑ XX : Cable Size



Technical Data	
Material	Copper
Insulation	PP
Temperature(°C)	105
Flammability rating, acc.to UL 94	V2
Plating	Tin

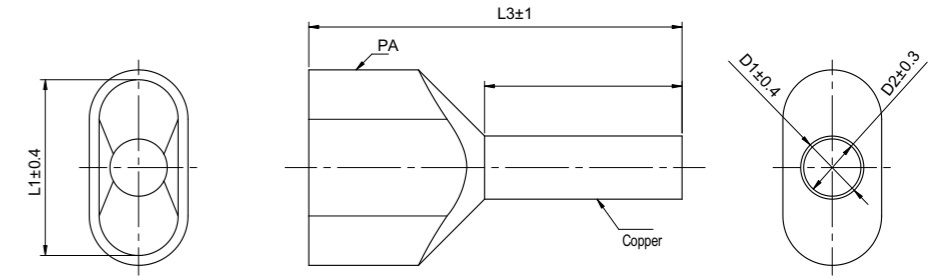
Model	Dimension(mm)					Cable Size mm ²	Insulating color (recommend)
	L1	L2	L3	D1	D2		
TE0.5-8-ZZ	5.6	8.0	15.5	1.8	1.5	2x0.5	Orange(OG)
TE0.5-10-ZZ		10.0	17.5				White(WH)
TE0.75-8-ZZ	6.2	8.0	15.4	2.1	1.8	2x0.75	White(WH)
TE0.75-10-ZZ		10.0	17.4				Gray(GY)
TE1.0-8-ZZ	6.5	8.0	16.2	2.3	2.0	2x1.0	Yellow(YE)
TE1.0-10-ZZ		10.0	17.9				Red(RD)
TE1.0-12-ZZ		12.0	19.9				
TE1.5-8-ZZ	7.5	8.0	16.0	2.6	2.2	2x1.5	Red(RD)
TE1.5-10-ZZ		10.0	18.0				Black(BK)
TE1.5-12-ZZ		12.0	20.0				
TE2.5-8-ZZ	8.9	8.0	16.6	3.3	2.9	2x2.5	Blue(BU)
TE2.5-10-ZZ		10.0	18.9				Gray(GY)
TE2.5-13-ZZ		13.0	21.9				
TE4.0-12-ZZ	9.7	12.0	21.8	4.2	3.7	2x4.0	Orange(OG) Gray(GY)
TE6.0-14-ZZ	10.5	14.0	25.7	5.3	4.8	2x6.0	Black(BK) Yellow(YE) Green(GN)
TE10-14-ZZ	12.6	14.0	26.6	6.9	6.5	2x10	Ivory(IV) Red(RD) Brown(BN)
TE16-14-ZZ	19.0	14.0	31.3	8.7	8.3	2x16	Green(GN) Blue(BU) Milk(IV)

Twin Conductor Ferrule



TENY-Series Ferrule

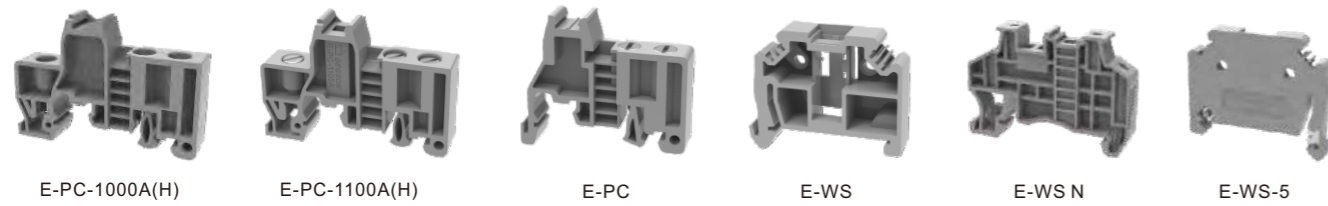
TENYXX-YY-ZZ ← ZZ : Insulating color
 ↑ YY : Length of metal pipe leakage(L2)
 ↑ XX : Cable Size



Technical Data	
Material	Copper
Insulation	PA
Temperature(°C)	105
Flammability rating, acc.to UL 94	V0
Plating	Tin

Model	Dimension(mm)					Cable Size mm ²	Insulating color (recommend)
	L1	L2	L3	D1	D2		
TENY0.5-8-ZZ	5.6	8.0	15.6	1.8	1.4	2x0.5	Orange(OG)
TENY0.5-10-ZZ		10.0	17.6				White(WH)
TENY0.75-8-ZZ	6.2	8.0	15.4	2.1	1.8	2x0.75	White(WH)
TENY0.75-10-ZZ		10.0	17.4				Gray(GY)
TENY1.0-8-ZZ	6.5	8.0	16.2	2.3	2.0	2x1.0	Yellow(YE)
TENY1.0-10-ZZ		10.0	17.9				Red(RD)
TENY1.0-12-ZZ		12.0	19.9				
TENY1.5-8-ZZ	7.5	8.0	16.0	2.6	2.2	2x1.5	Red(RD)
TENY1.5-10-ZZ		10.0	18.0				Black(BK)
TENY1.5-12-ZZ		12.0	20.0				
TENY2.5-8-ZZ	8.9	8.0	16.6	3.3	2.9	2x2.5	Blue(BU)
TENY2.5-10-ZZ		10.0	18.9				Gray(GY)
TENY2.5-13-ZZ		13.0	21.9				
TENY4.0-12-ZZ	9.8	12.0	22.0	4.2	4.2	2x4.0	Orange(OG) Gray(GY)
TENY6.0-14-ZZ	10.5	14.0	25.7	5.3	5.3	2x6.0	Black(BK) Yellow(YE) Green(GN)
TENY10-14-ZZ	12.6	14.0	26.8	6.9	6.9	2x10	Ivory(IV) Red(RD) Brown(BN)
TENY16-14-ZZ	19.0	14.0	31.5	8.7	8.3	2x16	Green(GN) Blue(BU) Milk(IV)

Snap-in End Stopper



- End stopper can ensure a secure DIN rail system, the reliable marking area is large

Technical Data			
Marking material	PA		
Temperature range(°C)	-40~105		
Flammability rating, acc.to UL 94	V0		
Material Data			
Description: End clamp		Color: Grey	
Type	Order NO.	Width(mm)	Adapter bracket
E-PC-1000A(H)	11060000074	9.5	DLM2
E-PC-1100A(H)	11060000666	9.5	DLM2 / KLM3-20x8 / KLM3-44x8
E-PC	11060000073	9.5	DLM2
E-WS	11060000127	10	/
E-WS N	11060000669	8	KLM3-20x8 / KLM3-44x8/EM
E-WS-5	11060000422	5	KLM3-20x8 / KLM3-44x8

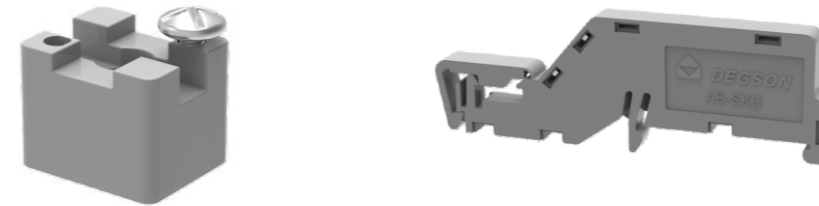
Neutral Bus Bar



Technical Data					
Marking material	Copper				
Material Data					
Description: PEN Wire Bus Bars		Color: Grey			
Type	Order NO.	Rated current(A)	Length(mm)	Width(mm)	Height(mm)
DLS-CU3/10	92118900917	140	1000	10	3

Neutral Bus Bar Bracket

Bracket for shield connection terminal blocks DSK



- Brackets for supporting bus bars

Technical Data				
Marking material	PA			
Flammability rating, acc.to UL 94	V0			
Material Data				
Description: Bracket, insulated, with set screws				
Color: Grey				
Type	Order NO.	Width(mm)	Length(mm)	Height(mm)
AB/SS	/	19.4	23.4	21.7
AB-SKC	11060000737	6.2	77.4	27

Shield Terminal

Screw-shaped shield connection terminals of the DSK series



- Easy to operate
- Knurled screw
- Spring loaded, large head area
- Suitable for direct mount and bus bar mount

Material Data				
Description: Shield terminal block				
Type	Order NO.	Installation location	Diameter(mm)	Screw thread
SKC8	11060000746	Install the shielded wire directly on the bus bar	3-8	M4
SKC14	11060000747	Install the shielded wire directly on the bus bar	3-14	M4

Partition Plate



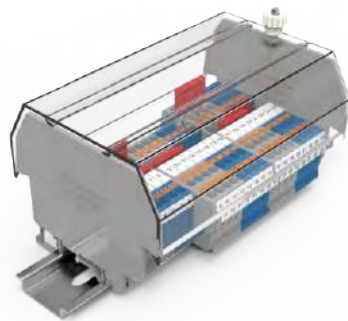
- Grouping terminal blocks
- Electrical isolation, Increase creepage distance



Technical Data			
Marking material	PA		
Temperature range(°C)	-40~105		
Flammability rating, acc.to UL 94	V0		
Material Data			
Description: Partition plate Color: Grey			
Type	Order NO.	Width(mm)	Height(mm)
ATP-DS	11041000387	2.2	39
ATP-PC N	94200019534	2.2	56



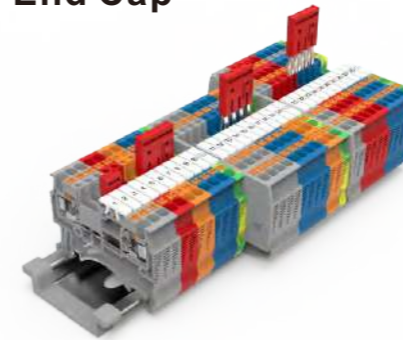
Safety Cover



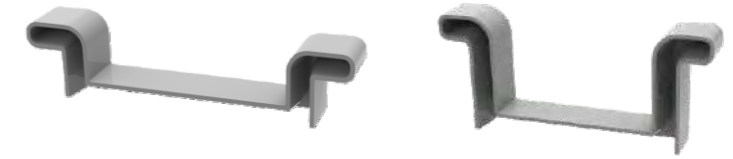
- Terminal blocks protection cover, dust protection

Technical Data				
Marking material	AP3-T	AP3-COVER-1000		
	AP3-T-KS	PA	PVC	
Temperature range(°C)	-40~105			
Flammability rating, acc.to UL 94	V0			
Material Data				
Description: Safety cover Color: Grey				
Type	Order NO.	Width(mm)	Height(mm)	
AP3-T	11060000843	2.2	72.5	
AP3-T-KS	11060000860	2.2	90.3	
Material Data				
Description: Safety cover Color: Transparent				
Type	Order NO.	Width(mm)	Height(mm)	Length(mm)
AP3-COVER-1000	11060000887	93.6	44.6	1000(Lengths can be customised)

End Cap

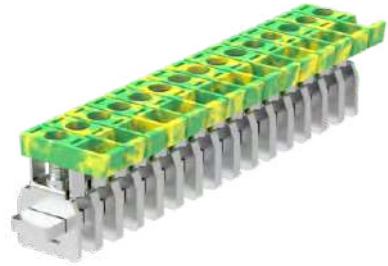


- Prevent scratches



Technical Data		
Marking material	PA	
Temperature range(°C)	-40~105	
Flammability rating, acc.to UL 94	V0	
Material Data		
Description: End cap Color: Grey		
Type	Order NO.	Applicable products
NS35/7.5-CAP	11060000470	NS35/7.5
NS35/15-CAP	11060000471	NS35/15

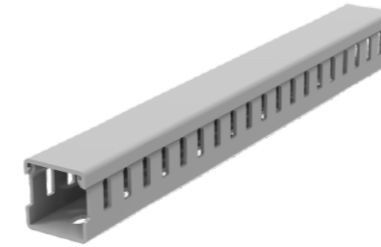
L/N/PE Terminal Block



- Use with matching bus bars, suitable for switch cabinets and control equipment

Technical Data				
	AKG4	AKG16	AKG35	
Rated voltage(V)	300	300	300	
Rated current(A)	32	76	125	
Maximum load current(A)	41	76	125	
Thread	M4	M5	M6	
Tightening torque(N.m)	1.5-1.8	2.5-3	3.2-3.7	
Rated cross section(mm ²)	4	16	35	
Stripping length(mm)	16	16	16	
Wiring capacity	Solid	0.5-6	1.5-16	2.5-35
	Stranded	0.5-4	1.5-16	2.5-35
	Ferrule with/without plastic sleeve	0.5-6	1.5-16	2.5-35
General parameters				
Insulation Materials	PA			
Flammability rating, acc.to UL 94	V2			

Wire Slot



Development

- Provide the best solution for in-cabinet wiring

Technical Data		
Marking material	WD	WD-ZH
	PVC	PC/ABS
Temperature range(°C)	-40~90	
Flammability rating, acc.to UL 94	V0	
Ingredient	Halogen Free	
Material Data		
Description: Wire slot, 2 meters length		
Type	Order NO.	Specification
WD	/	1 bar= 2m
WD-ZH	/	1 bar= 2m

Top Cutting Pliers



- Cut bridge
- Made in Germany, high hardness.
- Ergonomic and labor-saving in cutting

Technical Data	
Model	UNICUT-TOP
Order No.	99030000004
Length(mm)	165
Width(mm)	56
Shear width(mm)	6
Shear depth(mm)	12
Head hardness(HRC)	56
Weight(g)	210
Matching products	Suitable for DFB/DFA/EB/EBA/EBC series bridges

Wire Stripper



- With return spring, automatic wire stripping
- With cutting mouth
- The stripping length can be read directly
- Stripping wire doesn't damage the wire core

Technical Data	
Wire stripping range(mm ²)	0.2-6

Cable Stripper



- For dismantling round Cable sheaths made of PVC, rubber, silicone or PTFE from Ø 6.0 - 29.0 mm
- With knurled nut for cutting depth adjustment
- Changing from circular to longitudinal cutting by turning the tool body

Technical Data	
Wire stripping range(mm ²)	6-29

Crimping Pliers



- Crimping tool
- It meets IEC drawing force standard.
- Durable, pressure welding labor-saving, ergonomic

Technical Data	
Crimping range(mm ²)	0.25-6

Wire Cut



- Cutting tool, cutting wire, bridge
- Made in Germany, high hardness
- Ergonomic and labor-saving in cutting

Technical Data	
Cut range(mm ²)	0.2-35

Ethylene Scissors



- A special lever is used to cut cables and plastics with a thickness of up to 4.0mm to transmit torque.
- Adopt an efficient geometrical blade design
- Clamp body: High grade chromium-vanadium electrician steel, oil quenched treatment
- Blade: Special tool steel, oil quenched and tempered

Technical Data	
Blade Length (mm)	110

Customized

Marker customization

DEGSON markers (ZB, ZK, WB series), can match the DIN Rail terminal blocks, clearly identify the wiring, can customize the color and marking content on request, realize the flexible marking of the DIN Rail terminal blocks, you can contact the sales staff if you have relevant requirements.



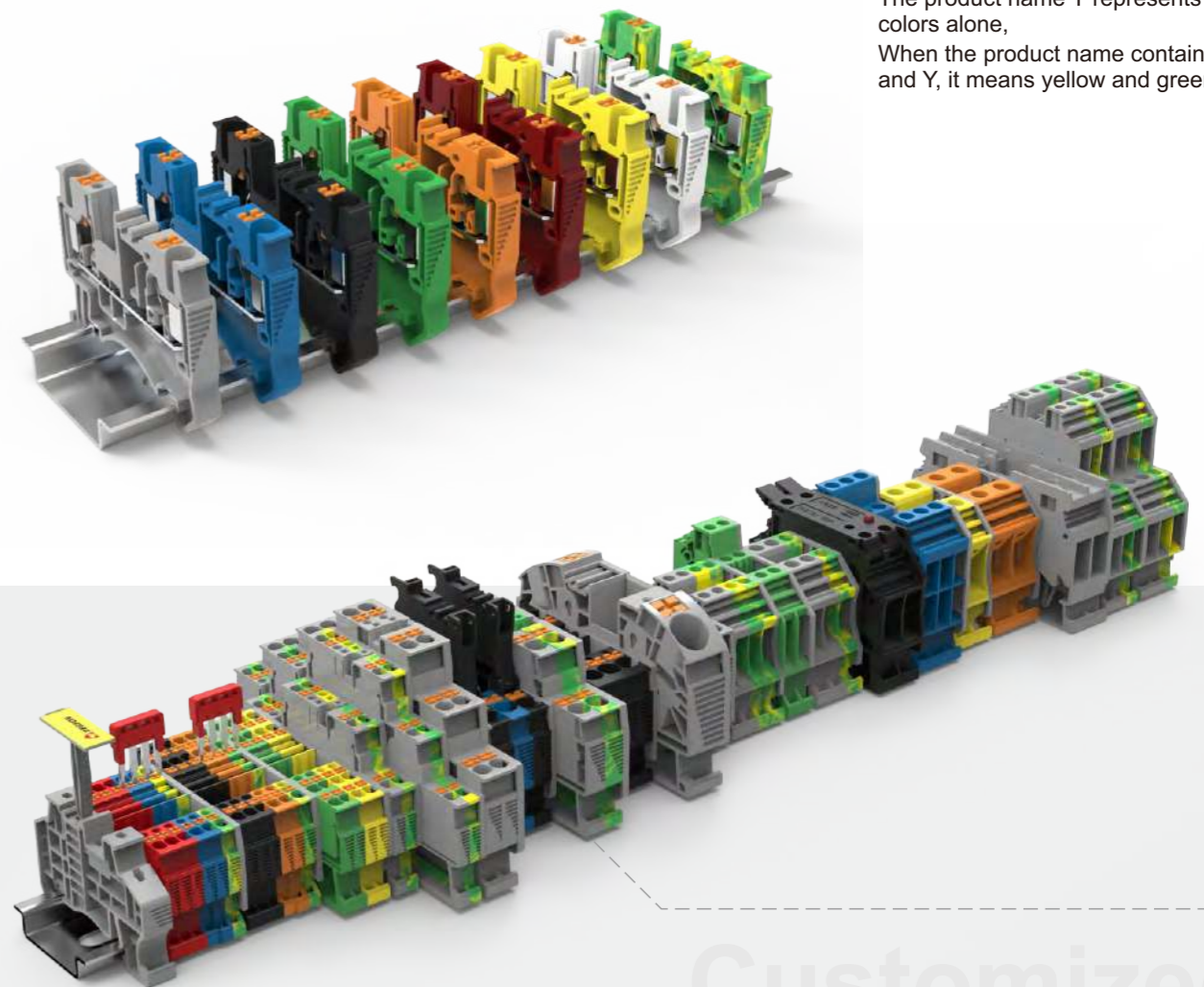
Customized

DIN Rail terminal blocks customization

DEGSON DIN Rail terminal blocks, which can flexibly realize stable connection of on-site circuits, and can customize product color, printing, and printing color according to the actual needs of customers. There are 9 common colors to choose from. Can also make minor modifications of products on request, flexibly match on-site needs, please contact sales personnel if you have relevant needs.

- 1 Grey
- 2 Blue
- 3 Black
- 4 Green
- 5 Orange
- 6 Red
- 7 Transparent
- 8 Yellow
- 9 White
- C Yellow Green Mixed Color

The product name Y represents all colors alone,
When the product name contains PE and Y, it means yellow and green



Customized

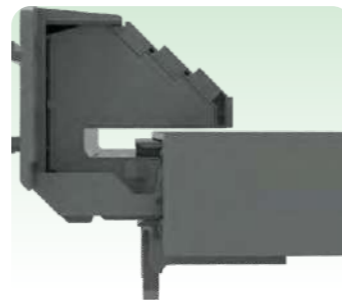
Customized

Customized

Drawer Terminal Block

Feature

- Push-in connection technology, convenient and efficient connection
- New and unique structure design, 45° input and 90° transfer, save installation space
- Modular output structure, easy to operate
- The main body and drawer base are assembled by modules splicing
- Spring limit structure with independent innovation can make sure connection stability
- 4 fixing holes on both sides



Customized

Customized

Push-in connection technology

Drawer Terminal Block



DS2.5PH-16P

DS2.5PH-24P

CE ENEC RoHS REACH

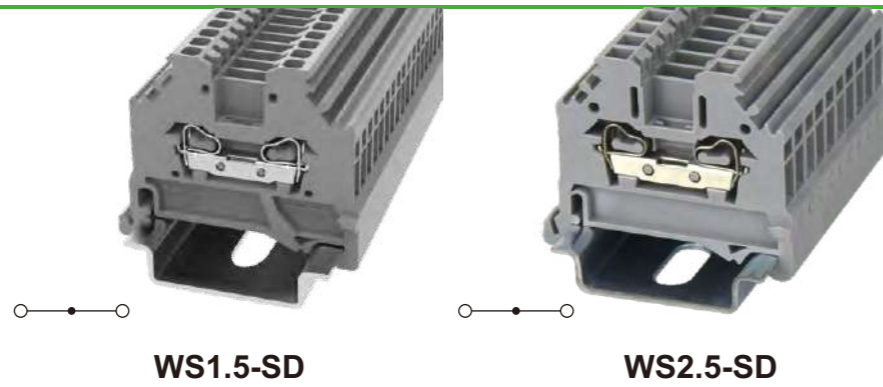
Dimensions									
Pitch	mm	10&11				10&11			
Electrical Data		IEC61984				IEC61984			
Pollution degree		2	2	3	UL1059	2	2	3	UL1059
Overvoltage category		II	III	III		II	III	III	
Rated voltage	V	630	320	250	300	630	320	250	300
Rated current	A	20			13	20			13
Wire range	mm ² /AWG	0.2-2.5			24-14	0.2-2.5			24-14
Rated surge voltage	KV	4				4			
Connection capacity		Solid	Stranded	Ferrule (with and without plastic sleeve)		Solid	Stranded	Ferrule (with and without plastic sleeve)	
1 conductor	mm ²	0.2-2.5	0.2-2.5	0.2-1.5	0.2-1.5	0.2-2.5	0.2-2.5	0.2-1.5	0.2-1.5
2 flexible conductors with a TWIN ferrule	mm ²	-	-	-	-	-	-	-	-
General information									
Insulation material/Flammability rating(according to UL 94)		PA/V0 PC/V2				PA/V0 PC/V2			
Operation temperature	°C (°F)	-40(-40)~80(176)				-40(-40)~80(176)			
Stripping length	mm	14				14			
Color		Gray (customization demand is available)				Gray (customization demand is available)			
Slotted screwdriver size (Blade thickness x Width) mm		0.6x3.5				0.6x3.5			
loop number		57				84			

Customized

Customized

Spring-cage connection technology

Feed-through, multi-conductor and ground terminal blocks



CE ENEC RoHS REACH

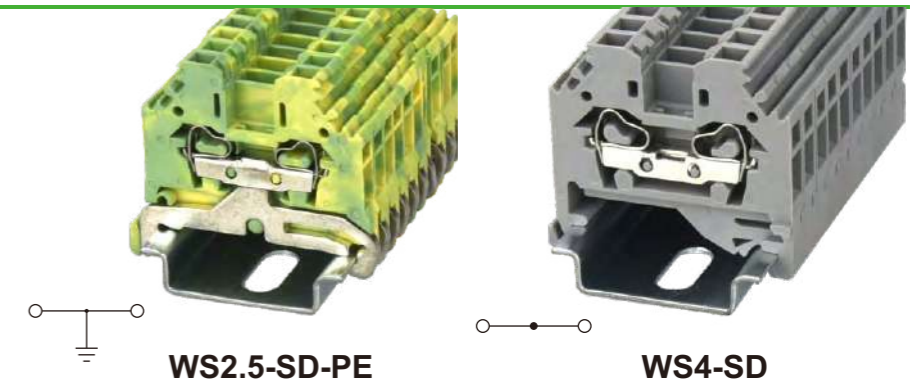
CE ENEC RoHS REACH

Order NO.	11030000071				11030000195			
Width/Length/Height(NS35/7.5&NS35/15)	mm 4/42.5/38(45.5)				mm 5/42.5/38(45.5)			
Electrical Data	IEC IEC60947-7-1		UL UL1059		IEC IEC60947-7-1		UL UL1059	
Rated voltage	V 800		600		V 800		600	
Rated current	A 18		10		A 24		15	
Rated cross section	mm ² /AWG 0.2-1.5		28-16		mm ² /AWG 0.2-2.5		28-12	
Connection capacity	Solid	Stranded	Ferrule (with and without plastic sleeve)		Solid	Stranded	Ferrule (with and without plastic sleeve)	
1 conductor	mm ² 0.2-1.5	0.2-1.5	0.2-1.5	0.2-1	mm ² 0.2-2.5	0.2-2.5	0.2-2.5	0.2-1.5
2 flexible conductors with a TWIN ferrule	mm ² -	-	-	0.5	mm ² -	-	-	0.5
General Information								
Insulation material/Flammability rating (according to UL 94)	PA/V0				PA/V0			
Operation temperatures	°C (°F) -40(-40)~105(221)				°C (°F) -40(-40)~105(221)			
Stripping length	mm 8-9				mm 8-9			
Color	Grey, Red, Blue (please contact sales for other color requirements)				Grey, Red, Blue (please contact sales for other color requirements)			
Accessories								
Ferrule	/				/			
Slotted screwdriver size (Blade thickness x Width)	mm 0.4x2.5				mm 0.5x3.5			
Adjacent jumper	/				WFA2.5			
Alternate jumper	/				WFB2.5			
Staggered jumper	/				WFC2.5-2 WFC2.5-3 WFC2.5-4 WFC2.5-5 WFC2.5-6 WFC2.5-7 WFC2.5-8			
End cover	D-WS1.5-SD				D-WS2.5-SD			
Partition plate	ATP-DS / ATP-PC N				ATP-DS / ATP-PC N			
Cover profile	AP3-COVER / AP3-T / AP3-T-KS				AP3-COVER / AP3-T / AP3-T-KS			
Top marker	/				ZB5 / ZS5 / WB5			
Side marker	ZB4 / WB4				DEK5			
Warning cover	EEA1.5				EEA2.5			
Marker support	DTH5-25x5 / DTH5-25x12				DTH5-25x5 / DTH5-25x12			
Terminal strip marker support	DLM2 / KLM3-20x8 / KLM3-44x8				DLM2 / KLM3-20x8 / KLM3-44x8			
End clamp	E-PC 1100A / E-WS N				E-PC 1100A / E-WS N			
End cap	NS35/7.5-CAP NS35/15-CAP				NS35/7.5-CAP NS35/15-CAP			

Customized

Spring-cage connection technology

Feed-through, multi-conductor and ground terminal blocks



CE ENEC RoHS REACH

UL US CE ENEC RoHS REACH

Order NO.	11030000196				11030000295			
Width/Length/Height(NS35/7.5&NS35/15)	mm 5/42.5/38(45.5)				mm 6/41.8/40(47.5)			
Electrical Data	IEC IEC60947-7-2		UL UL1059		IEC IEC60947-7-1		UL UL1059	
Rated voltage	V /		/		V 800		600	
Rated current	A /		/		A 32		20	
Rated cross section	mm ² /AWG 0.2-2.5		28-12		mm ² /AWG 0.2-4		28-12	
Connection capacity	Solid	Stranded	Ferrule (with and without plastic sleeve)		Solid	Stranded	Ferrule (with and without plastic sleeve)	
1 conductor	mm ² 0.2-2.5	0.2-2.5	0.2-2.5	0.2-1.5	mm ² 0.2-4	0.2-4	0.2-4	0.2-4
2 flexible conductors with a TWIN ferrule	mm ² -	-	-	0.5	mm ² -	-	-	0.5
General Information								
Insulation material/Flammability rating (according to UL 94)	PA/V0				PA/V0			
Operation temperatures	°C (°F) -40(-40)~105(221)				°C (°F) -40(-40)~105(221)			
Stripping length	mm 8-9				mm 11-12			
Color	Green-yellow				Grey, Red, Blue (please contact sales for other color requirements)			
Accessories								
Ferrule	/				/			
Slotted screwdriver size (Blade thickness x Width)	mm 0.5x3.5				mm 0.5x3.5			
Adjacent jumper	/				WFA4			
Alternate jumper	/				WFB4			
Staggered jumper	/				/			
End cover	D-WS2.5-SD				D-WS4-SD			
Partition plate	ATP-DS / ATP-PC N				ATP-DS / ATP-PC N			
Cover profile	AP3-COVER / AP3-T / AP3-T-KS				AP3-COVER / AP3-T / AP3-T-KS			
Top marker	ZB5 / ZS5 / WB5				/			
Side marker	DEK5				ZB6 / ZS6			
Warning cover	EEA2.5				EEA4			
Marker support	DTH5-25x5 / DTH5-25x12				DTH5-25x5 / DTH5-25x12			
Terminal strip marker support	DLM2 / KLM3-20x8 / KLM3-44x8				DLM2 / KLM3-20x8 / KLM3-44x8			
End clamp	E-PC 1100A / E-WS N				E-PC 1100A / E-WS N			
End cap	NS35/7.5-CAP NS35/15-CAP				NS35/7.5-CAP NS35/15-CAP			

Customized

Spring-cage connection technology

Feed-through, multi-conductor and ground terminal blocks



WS2.5-DIN35

UL US CE ENE RoHS REACH

Order NO.	11030000155			
Width/Length/Height(NS35/7.5&NS35/15) mm	6/32/31.88			
Electrical Data	IEC IEC60947-7-1	UL UL1059		
Rated voltage V	800	600		
Rated current A	24	20		
Rated cross section mm ² /AWG	0.2-2.5	28-12		
Connection capacity	Solid	Stranded	Ferrule (with and without plastic sleeve)	
1 conductor mm ²	0.2-2.5	0.2-2.5	0.2-2.5	0.2-2.5
2 flexible conductors with a TWIN ferrule mm ²	—	—	—	0.5
General Information				
Insulation material/Flammability rating (according to UL 94)	PA/V0			
Operation temperatures °C (°F)	-40(-40)~105(221)			
Stripping length mm	8-9			
Color	Grey, Red, Blue (please contact sales for other color requirements)			
Accessories				
Ferrule	/			
Slotted screwdriver size (Blade thickness x Width) mm	0.5x3.5			
Adjacent jumper(2P)	WFE-2.5			
End cover	D-WS2.5-MID-CO			
Partition plate	ATP-DS / ATP-PC N			
Cover profile	AP3-COVER / AP3-T / AP3-T-KS			
Marker (Side)	ZW5			
Warning cover	/			
DIN rail mounting adapter	/			
Terminal strip marker support	/			
End clamp	/			
End cap	NS35/7.5-CAP NS35/15-CAP			

Customized

Spring-cage connection technology

Feed-through, multi-conductor and ground terminal blocks



WS6-SD

UL US CE ENE RoHS REACH



WS6-SD-PE

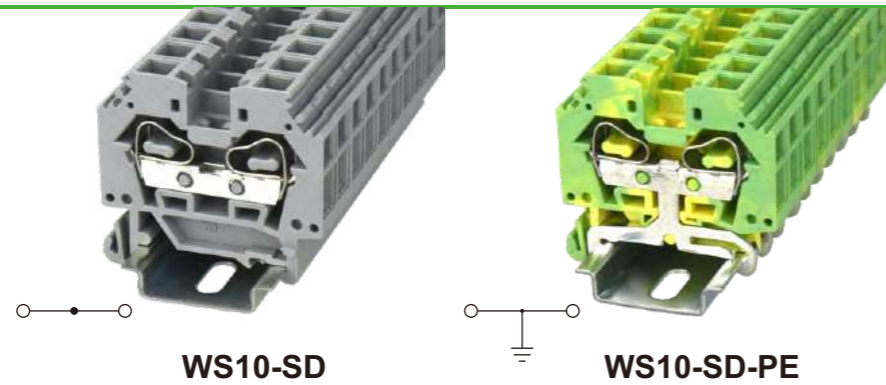
CE ENE RoHS REACH

Order NO.	11030000315				11030000319			
Width/Length/Height(NS35/7.5&NS35/15) mm	8/46.5/44.5(52)				8/46.5/44.5(52)			
Electrical Data	IEC IEC60947-7-1	UL UL1059			IEC IEC60947-7-2	UL UL1059		
Rated voltage V	800	600			/	/		
Rated current A	32	30			/	/		
Rated cross section mm ² /AWG	0.2-6	24-10			0.2-6	24-10		
Connection capacity	Solid	Stranded	Ferrule (with and without plastic sleeve)		Solid	Stranded	Ferrule (with and without plastic sleeve)	
1 conductor mm ²	0.2-6	0.2-6	0.2-6	0.2-6	0.2-6	0.2-6	0.2-6	0.2-6
2 flexible conductors with a TWIN ferrule mm ²	—	—	—	0.5-2.5	—	—	—	0.5-2.5
General Information								
Insulation material/Flammability rating (according to UL 94)	PA/V0				PA/V0			
Operation temperatures °C (°F)	-40(-40)~105(221)				-40(-40)~105(221)			
Stripping length mm	9-10				9-10			
Color	Grey, Red, Blue (please contact sales for other color requirements)				Green-yellow			
Accessories								
Ferrule	/				/			
Slotted screwdriver size (Blade thickness x Width) mm	0.8x5.5				0.8x5.5			
Adjacent jumper	WFA6				/			
Alternate jumper	WFB6				/			
Staggered jumper	/				/			
End cover	D-WS6-SD				D-WS6-SD			
Partition plate	ATP-DS / ATP-PC N				ATP-DS / ATP-PC N			
Cover profile	AP3-COVER / AP3-T / AP3-T-KS				AP3-COVER / AP3-T / AP3-T-KS			
Top marker	/				/			
Side marker	ZB8 / ZS8				ZB8 / ZS8			
Warning cover	EEA6				EEA6			
Marker support	DTH5-25x5 / DTH5-25x12				DTH5-25x5 / DTH5-25x12			
Terminal strip marker support	DLM2 / KLM3-20x8 / KLM3-44x8				DLM2 / KLM3-20x8 / KLM3-44x8			
End clamp	E-PC 1100A / E-WS N				E-PC 1100A / E-WS N			
End cap	NS35/7.5-CAP NS35/15-CAP				NS35/7.5-CAP NS35/15-CAP			

Customized

Spring-cage connection technology

Feed-through, multi-conductor and ground terminal blocks



CE ERE RoHS REACH

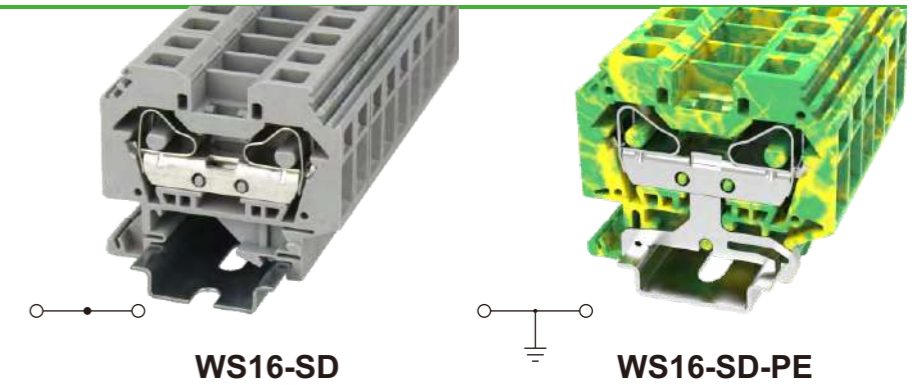
CE ERE RoHS REACH

Order NO.	11030000021				11030000022			
Width/Length/Height(NS35/7.5&NS35/15)	mm 10/52/49(56.5)				mm 10/52/49(56.5)			
Electrical Data	IEC IEC60947-7-1		UL UL1059		IEC IEC60947-7-2		UL UL1059	
Rated voltage	V 800		600		/		/	
Rated current	A 57		50		/		/	
Rated cross section	mm ² /AWG 0.2-10		24-8		0.2-6		24-10	
Connection capacity	Solid	Stranded	Ferrule (with and without plastic sleeve)		Solid	Stranded	Ferrule (with and without plastic sleeve)	
1 conductor	mm ² 0.2-10	0.2-10	0.2-10	0.2-10	0.2-10	0.2-10	0.2-10	0.2-10
2 flexible conductors with a TWIN ferrule	mm ² -	-	-	0.5-4	-	-	-	0.5-4
General Information								
Insulation material/Flammability rating (according to UL 94)	PA/V0				PA/V0			
Operation temperatures	°C (°F) -40(-40)~105(221)				-40(-40)~105(221)			
Stripping length	mm 13-14				13-14			
Color	Grey, Red, Blue (please contact sales for other color requirements)				Green-yellow			
Accessories								
Ferrule	/				/			
Slotted screwdriver size (Blade thickness x Width)	mm 0.8x5.5				0.8x5.5			
Adjacent jumper	WFA10				/			
Alternate jumper	WFB10				/			
Staggered jumper	/				/			
End cover	D-WS10-SD				D-WS10-SD			
Partition plate	ATP-DS / ATP-PC N				ATP-DS / ATP-PC N			
Cover profile	AP3-COVER / AP3-T / AP3-T-KS				AP3-COVER / AP3-T / AP3-T-KS			
Top marker	ZB10 / ZS10				ZB10 / ZS10			
Side marker	/				/			
Warning cover	EEA10				EEA10			
Marker support	DTH5-25x5 / DTH5-25x12				DTH5-25x5 / DTH5-25x12			
Terminal strip marker support	DLM2 / KLM3-20x8 / KLM3-44x8				DLM2 / KLM3-20x8 / KLM3-44x8			
End clamp	E-PC 1100A / E-WS N				E-PC 1100A / E-WS N			
End cap	NS35/7.5-CAP NS35/15-CAP				NS35/7.5-CAP NS35/15-CAP			

Customized

Spring-cage connection technology

Feed-through, multi-conductor and ground terminal blocks



CE ERE RoHS REACH

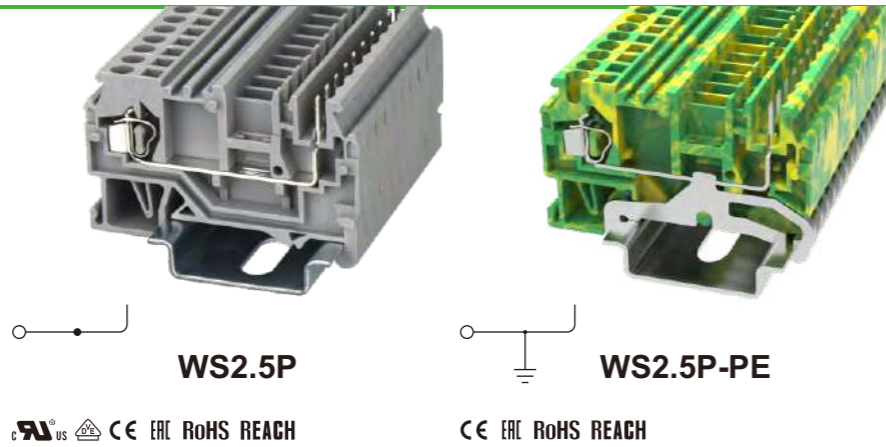
CE ERE RoHS REACH

Order NO.	11030000086				11030000088			
Width/Length/Height(NS35/7.5&NS35/15)	mm 12/58/52.6(60.1)				mm 12/58/52.6(60.1)			
Electrical Data	IEC IEC60947-7-1		UL UL1059		IEC IEC60947-7-2		UL UL1059	
Rated voltage	V 800		600		/		/	
Rated current	A 76		66		/		/	
Rated cross section	mm ² /AWG 0.2-16		24-6		0.2-16		24-6	
Connection capacity	Solid	Stranded	Ferrule (with and without plastic sleeve)		Solid	Stranded	Ferrule (with and without plastic sleeve)	
1 conductor	mm ² 0.2-16	0.2-16	0.2-16	0.2-10	0.2-16	0.2-16	0.2-16	0.2-10
2 flexible conductors with a TWIN ferrule	mm ² -	-	-	0.5-6	-	-	-	0.5-6
General Information								
Insulation material/Flammability rating (according to UL 94)	PA/V0				PA/V0			
Operation temperatures	°C (°F) -40(-40)~105(221)				-40(-40)~105(221)			
Stripping length	mm 16-17				16-17			
Color	Grey, Red, Blue (please contact sales for other color requirements)				Green-yellow			
Accessories								
Ferrule	/				/			
Slotted screwdriver size (Blade thickness x Width)	mm 0.8x5.5				0.8x5.5			
Adjacent jumper	WFA16				/			
Alternate jumper	WFB16				/			
Staggered jumper	/				/			
End cover	D-WS16-SD				D-WS16-SD			
Partition plate	ATP-DS / ATP-PC N				ATP-DS / ATP-PC N			
Cover profile	AP3-COVER / AP3-T / AP3-T-KS				AP3-COVER / AP3-T / AP3-T-KS			
Top marker	ZT12 / ZS12				ZT12 / ZS12			
Side marker	/				/			
Warning cover	EEA16				EEA16			
Marker support	DTH5-25x5 / DTH5-25x12				DTH5-25x5 / DTH5-25x12			
Terminal strip marker support	DLM2 / KLM3-20x8 / KLM3-44x8				DLM2 / KLM3-20x8 / KLM3-44x8			
End clamp	E-PC 1100A / E-WS N				E-PC 1100A / E-WS N			
End cap	NS35/7.5-CAP NS35/15-CAP				NS35/7.5-CAP NS35/15-CAP			

Customized

Spring-cage connection technology

Plug-in connection and its ground terminal blocks



UL US CE ENE RoHS REACH

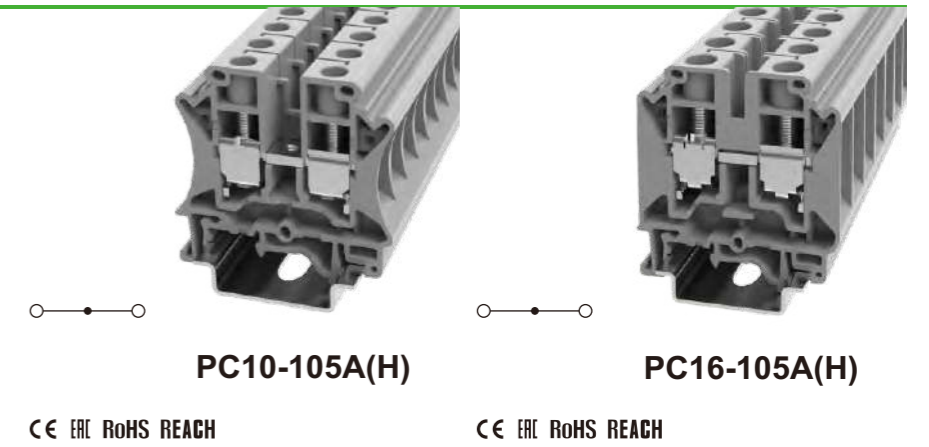
CE ENE RoHS REACH

Order NO.	11030000167				11030000185			
Width/Length/Height(NS35/7.5&NS35/15)	mm 5/53/35.45(42.95)				mm 5/53/35.45(42.95)			
Electrical Data	IEC IEC60947-7-1		UL UL1059		IEC IEC60947-7-2		UL UL1059	
Rated voltage	V 500		300		/		/	
Rated current	A 22		15		/		/	
Rated cross section	mm ² /AWG 0.2-2.5		28-14		0.2-2.5		28-14	
Connection capacity	Solid	Stranded	Ferrule (with and without plastic sleeve)		Solid	Stranded	Ferrule (with and without plastic sleeve)	
1 conductor	mm ² 0.2-2.5	0.2-2.5	0.2-2.5	0.2-2.5	0.2-2.5	0.2-2.5	0.2-2.5	0.2-2.5
2 flexible conductors with a TWIN ferrule	mm ² -	-	-	0.5	-	-	-	0.5
General Information								
Insulation material/Flammability rating (according to UL 94)	PA/V0				PA/V0			
Operation temperatures	°C (°F) -40(-40)~105(221)				-40(-40)~105(221)			
Stripping length	mm 11-12				11-12			
Color	Grey, Red, Blue (please contact sales for other color requirements)				Green-yellow			
Accessories								
Plug	8EDGK-5.0				8EDGK-5.0			
Coding star	/				/			
Ferrule	/				/			
Slotted screwdriver size (Blade thickness x Width)	mm 0.5x3.5				0.5x3.5			
Adjacent jumper (2P)	WFA2.5				/			
Alternate jumper (2P)	WFB2.5				/			
Staggered jumper (2P)	WFC2.5-2 WFC2.5-6 WFC2.5-3 WFC2.5-7 WFC2.5-4 WFC2.5-8 WFC2.5-5				/			
End cover	D-WS2.5P				D-WS2.5P			
Partition plate	ATP-DS / ATP-PC N				ATP-DS / ATP-PC N			
Cover profile	AP3-COVER / AP3-T / AP3-T-KS				AP3-COVER / AP3-T / AP3-T-KS			
Top marker	ZB4 / ZS4 / WB5				ZB4 / ZS4 / WB5			
Side marker	DEK5				DEK5			
Warning cover	EEA2.5				EEA2.5			
Terminal strip marker support	DLM2 / KLM3-20x8 / KLM3-44x8				DLM2 / KLM3-20x8 / KLM3-44x8			
End clamp	E-PC 1100A / E-WS N				E-PC 1100A / E-WS N			
End cap	NS35/7.5-CAP NS35/15-CAP				NS35/7.5-CAP NS35/15-CAP			

Customized

Screw connection technology

Feed-through terminal blocks



CE ENE RoHS REACH

CE ENE RoHS REACH

Order NO.	11010000008				11010000167			
Width/Length/Height(NS35/7.5&NS35/15)	mm 10.2/48/48.5(56)				mm 12.2/48.5/55.3(62.8)			
Electrical Data	IEC IEC60947-7-1		UL UL1059		IEC IEC60947-7-1		UL UL1059	
Rated voltage	V 1000		600		1000		600	
Rated current	A 57		65		76		85	
Rated cross section	mm ² /AWG 0.5-10		20-6		1-16		16-4	
Connection capacity	Solid	Stranded	Ferrule (with and without plastic sleeve)		Solid	Stranded	Ferrule (with and without plastic sleeve)	
1 conductor	mm ² 0.2-10	0.2-10	0.2-10	0.2-10	0.2-16	0.2-16	0.2-16	0.2-16
2 flexible conductors with a TWIN ferrule	mm ² -	-	-	0.5-6	-	-	-	0.5-6
General Information								
Insulation material/Flammability rating (according to UL 94)	PA/V0				PA/V0			
Operation temperatures	°C (°F) -40(-40)~105(221)				-40(-40)~105(221)			
Stripping length	mm 9-10				13-14			
Color	Grey, Red, Blue (please contact sales for other color requirements)				Grey, Red, Blue (please contact sales for other color requirements)			
Screw/Rated torque	-/N.m(lb.in)(kgf.cm) M4/1.2(10.5)(12.24)				M5/3(27)(30)			
Accessories								
Ferrule	/				/			
Slotted screwdriver size (Blade thickness x Width)	mm 1x6.5				1x4			
Fixed bridge(10P)	FBRI12-16				FBRI10-12			
Insertion bridge (2-10P)	/				EB10-12			
End cover	/				D-PC16-105A(H)			
Separating disk	TS-K				TS-K			
Partition plate	ATP-PC / ATP-DS / ATP-PC N				ATP-PC / ATP-DS / ATP-PC N			
Cover profile	AP3-COVER / AP3-T / AP3-T-KS				AP3-COVER / AP3-T / AP3-T-KS			
Marker	ZT12 / ZS12				ZT12 / ZS12			
Marker support	/				/			
Terminal strip marker support	DLM2 / KLM3-20x8 / KLM3-44x8				DLM2 / KLM3-20x8 / KLM3-44x8			
End clamp	E-PC 1100A / E-WS N				E-PC 1100A / E-WS N			
End cap	NS35/7.5-CAP NS35/15-CAP				NS35/7.5-CAP NS35/15-CAP			

Customized

Screw connection technology

Feed-through terminal blocks



PC35-105A(H)

CE ENEC RoHS REACH

Order NO.	11010000064			
Width/Length/Height(NS35/7.5&NS35/15) mm	16.2/60/66.25(73.75)			
Electrical Data	IEC IEC60947-7-1	UL UL1059		
Rated voltage V	1000	600		
Rated current A	125	150		
Rated cross section mm ² /AWG	0.5-35	14-1/0		
Connection capacity	Solid	Stranded	Ferrule (with and without plastic sleeve)	
1 conductor mm ²	0.2-35	0.2-35	0.2-35	0.2-35
2 flexible conductors with a TWIN ferrule mm ²	—	—	—	0.75-10
General Information				
Insulation material/Flammability rating (according to UL 94)	PA/V0			
Operation temperatures °C (°F)	-40(-40)~105(221)			
Stripping length mm	15-16			
Color	Grey, Red, Blue (please contact sales for other color requirements)			
Screw/Rated torque -/N.m(lb.in)(kgf.cm)	M6/3.5(31)(35.7)			
Accessories				
Ferrule	/			
Slotted screwdriver size (Blade thickness x Width) mm	1x4			
Fixed bridge(10P)	FBRI10-10			
Insertion bridge (2-10P)	EB2-10 EB3-10 EB10-10			
End cover	D-PC10-105A(H)			
Separating disk	TS-K			
Partition plate	ATP-PC / ATP-DS / ATP-PC N			
Cover profile	AP3-COVER / AP3-T / AP3-T-KS			
Marker	ZB10 / ZS10			
Marker support	/			
Terminal strip marker support	DLM2 / KLM3-20x8 / KLM3-44x8			
End clamp	E-PC 1100A / E-WS N			
End cap	NS35/7.5-CAP NS35/15-CAP			

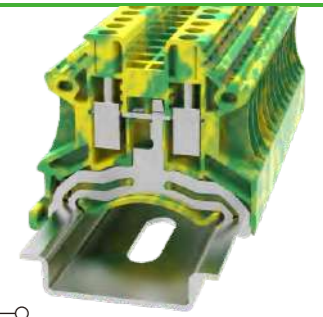
Customized

Screw connection technology 1

Feed-through, multi-conductor, multi-level, and ground terminal blocks



DC2.5-CU



DC2.5-PE-CU

CE ENEC RoHS REACH

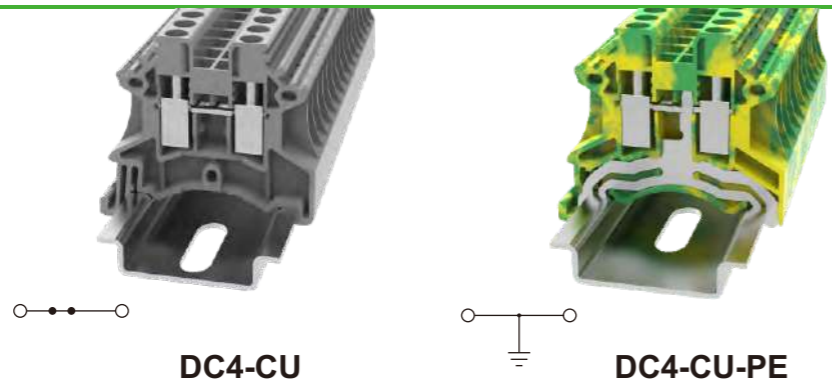
CE ENEC RoHS REACH

Order NO.	11020000273				11020000275			
Width/Length/Height(NS35/7.5&NS35/15) mm	5.1/42.3/41.5(49)				5.1/42.3/41.5(49)			
Electrical Data	IEC IEC60947-7-1	UL UL1059		IEC IEC60947-7-2	UL UL1059			
Rated voltage V	800	600		/	/			
Rated current A	24	25		/	/			
Rated cross section mm ² /AWG	0.2-4	26-12		0.2-4	26-12			
Connection capacity	Solid	Stranded	Ferrule (with and without plastic sleeve)		Solid	Stranded	Ferrule (with and without plastic sleeve)	
1 conductor mm ²	0.2-4	0.2-2.5	0.2-2.5	0.5-1.5	0.2-4	0.2-2.5	0.2-2.5	0.5-1.5
2 flexible conductors with a TWIN ferrule mm ²	—	—	—	0.5-1	—	—	—	0.5-1
General Information								
Insulation material/Flammability rating (according to UL 94)	PA/V0				PA/V0			
Operation temperatures °C (°F)	-40(-40)~105(221)				-40(-40)~105(221)			
Stripping length mm	8-9				8-9			
Color	Grey, Red, Blue (please contact sales for other color requirements)				Yellow green mixed color			
Screw/Rated torque -/N.m(lb.in)(kgf.cm)	M2.5/0.4 (3.6) (4.08)				M2.5/0.4 (3.6) (4.08)			
Accessories								
Ferrule	/				/			
Slotted screwdriver size (Blade thickness x Width) mm	0.6x3.5				0.6x3.5			
Screw	Slotted screw				Slotted screw			
Bridge(2-10P)	DFAXX-5.2				DFAXX-5.2			
End cover	D-DC2.5				D-DC2.5			
Partition plate	ATP-DS / ATP-PC N				ATP-DS / ATP-PC N			
Cover profile	AP3-COVER / AP3-T / AP3-T-KS				AP3-COVER / AP3-T / AP3-T-KS			
Marker	ZB5 / ZS5 / WB5				ZB5 / ZS5 / WB5			
Marker support	/				/			
Terminal strip marker support	DLM2 / KLM3-20x8 / KLM3-44x8				DLM2 / KLM3-20x8 / KLM3-44x8			
End clamp	E-PC 1100A / E-WS N				E-PC 1100A / E-WS N			
End cap	NS35/7.5-CAP NS35/15-CAP				NS35/7.5-CAP NS35/15-CAP			

Customized

Screw connection technology 1

Feed-through, multi-conductor, multi-level, and ground terminal blocks



CE ERG RoHS REACH

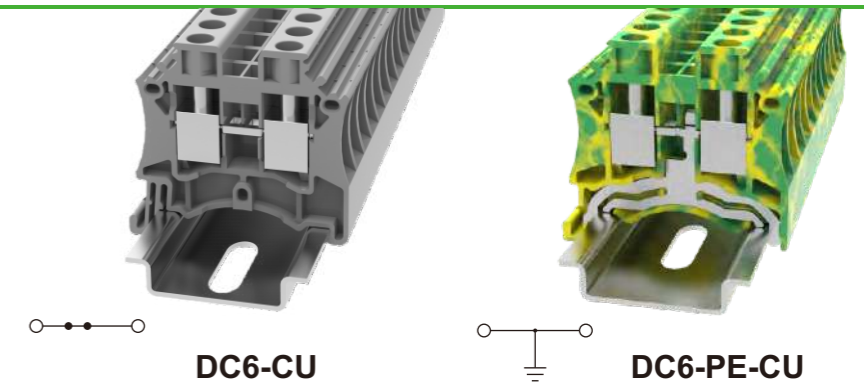
CE ERG RoHS REACH

Order NO.	11020000272				11020000274			
Width/Length/Height(NS35/7.5&NS35/15)	mm 6.1/42.3/41.9(49.4)				mm 6.1/42.3/41.9(49.4)			
Electrical Data	IEC IEC60947-7-1		UL UL1059		IEC IEC60947-7-2		UL UL1059	
Rated voltage	V 1000		600		/		/	
Rated current	A 32		30		/		/	
Rated cross section	mm ² /AWG 0.5-4		22-10		0.5-4		22-10	
Connection capacity	Solid	Stranded	Ferrule (with and without plastic sleeve)		Solid	Stranded	Ferrule (with and without plastic sleeve)	
1 conductor	mm ² 0.5-6	0.5-4	0.5-4	0.5-4	0.5-6	0.5-4	0.5-4	0.5-4
2 flexible conductors with a TWIN ferrule	mm ² -	-	-	0.5-1.5	-	-	-	0.5-1.5
General Information								
Insulation material/Flammability rating (according to UL 94)	PA/V0				PA/V0			
Operation temperatures	°C (°F) -40(-40)~105(221)				-40(-40)~105(221)			
Stripping length	mm 8-9				8-9			
Color	Grey, Red, Blue (please contact sales for other color requirements)				Yellow green mixed color			
Screw/Rated torque	-N.m(lb.in)(kgf.cm) M3/0.5(4.5)(5.1)				M3/0.5(4.5)(5.1)			
Accessories								
Ferrule	/				/			
Slotted screwdriver size (Blade thickness x Width)	mm 0.6x3.5				0.6x3.5			
Screw	Slotted screw				Slotted screw			
Bridge (2-10P)	DFAXX-6.2				DFAXX-6.2			
End cover	D-DC2.5				D-DC2.5			
Partition plate	ATP-DS / ATP-PC N				ATP-DS / ATP-PC N			
Cover profile	AP3-COVER / AP3-T / AP3-T-KS				AP3-COVER / AP3-T / AP3-T-KS			
Marker	ZB6 / ZS6				ZB6 / ZS6			
Marker support	/				/			
Terminal strip marker support	DLM2 / KLM3-20x8 / KLM3-44x8				DLM2 / KLM3-20x8 / KLM3-44x8			
End clamp	E-PC 1100A / E-WS N				E-PC 1100A / E-WS N			
End cap	NS35/7.5-CAP / NS35/15-CAP				NS35/7.5-CAP / NS35/15-CAP			

Customized

Screw connection technology 1

Feed-through, multi-conductor, multi-level, and ground terminal blocks



CE ERG RoHS REACH

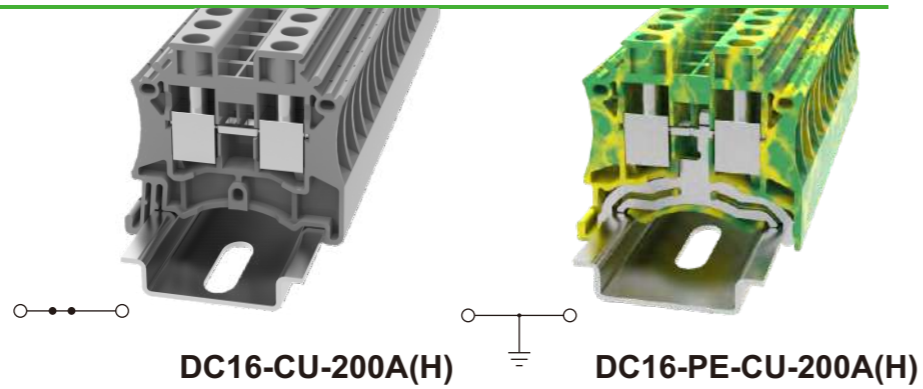
UL US CE ERG RoHS REACH

Order NO.	11020000267				11020000268			
Width/Length/Height(NS35/7.5&NS35/15)	mm 8/44.95/43.5(51)				mm 8/44.95/43.5(51)			
Electrical Data	IEC IEC60947-7-1		UL UL1059		IEC IEC60947-7-2		UL UL1059	
Rated voltage	V 1000		600		/		/	
Rated current	A 41		50		/		/	
Rated cross section	mm ² /AWG 0.5-6		22-8		0.5-6		22-8	
Connection capacity	Solid	Stranded	Ferrule (with and without plastic sleeve)		Solid	Stranded	Ferrule (with and without plastic sleeve)	
1 conductor	mm ² 0.5-6	0.5-6	0.5-4	0.5-4	0.5-6	0.5-6	0.5-4	0.5-4
2 flexible conductors with a TWIN ferrule	mm ² -	-	-	0.5-2.5	-	-	-	0.5-2.5
General Information								
Insulation material/Flammability rating (according to UL 94)	PA/V0				PA/V0			
Operation temperatures	°C (°F) -40(-40)~105(221)				-40(-40)~105(221)			
Stripping length	mm 10-11				10-11			
Color	Grey, Red, Blue (please contact sales for other color requirements)				Yellow green mixed color			
Screw/Rated torque	-N.m(lb.in)(kgf.cm) M4/1.2(10.6)(12.24)				M4/1.2(10.6)(12.24)			
Accessories								
Ferrule	/				/			
Slotted screwdriver size (Blade thickness x Width)	mm 1x4				1x4			
Screw	Slotted screw				Slotted screw			
Bridge (2-10P)	DFAXX-8.2				DFAXX-8.2			
End cover	D-DC6				D-DC6			
Partition plate	ATP-DS / ATP-PC N				ATP-DS / ATP-PC N			
Cover profile	AP3-COVER / AP3-T / AP3-T-KS				AP3-COVER / AP3-T / AP3-T-KS			
Marker	ZB8 / ZS8				ZB8 / ZS8			
Marker support	/				/			
Terminal strip marker support	DLM2 / KLM3-20x8 / KLM3-44x8				DLM2 / KLM3-20x8 / KLM3-44x8			
End clamp	E-PC 1100A / E-WS N				E-PC 1100A / E-WS N			
End cap	NS35/7.5-CAP / NS35/15-CAP				NS35/7.5-CAP / NS35/15-CAP			

Customized

Screw connection technology 1

Feed-through, ground terminal blocks



UL US CE ENEC RoHS REACH

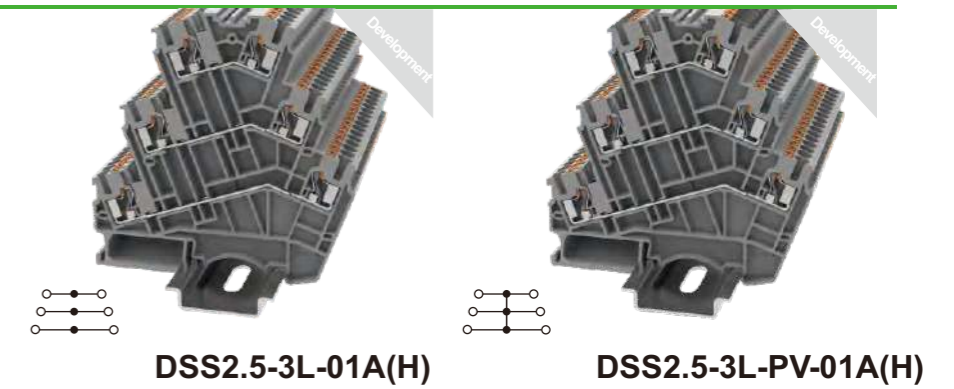
UL US CE ENEC RoHS REACH

Order NO.	11020000290	11020000291
Width/Length/Height(NS35/7.5&NS35/15) mm	12/49/50.9(58.4)	12/49/50.9(58.4)
Electrical Data	IEC IEC60947-7-1	UL UL1059
Rated voltage V	1000	600
Rated current A	76	100
Rated cross section mm ² /AWG	1.5-25	14-3
Connection capacity	Solid Stranded Ferrule (with and without plastic sleeve)	Solid Stranded Ferrule (with and without plastic sleeve)
1 conductor mm ²	1.5-25 1.5-25 1.5-16 1.5-16	1.5-25 1.5-25 1.5-16 1.5-16
2 flexible conductors with a TWIN ferrule mm ²	— — — 0.75-6	— — — 0.75-6
General Information		
Insulation material/Flammability rating (according to UL 94)	PA/V0	PA/V0
Operation temperatures °C (°F)	-40(-40)~105(221)	-40(-40)~105(221)
Stripping length mm	12-13	12-13
Color	Grey, Red, Blue (please contact sales for other color requirements)	Yellow green mixed color
Screw/Rated torque -/N.m(lb.in)(kgf.cm)	M5/2.5(27)(25)	M5/2.5(27)(25)
Accessories		
Ferrule	/	/
Slotted screwdriver size (Blade thickness x Width) mm	1x6.5	1x6.5
Screw	一字螺丝	一字螺丝
Bridge (2P, 3P)	DFAXX-12.2	/
End cover	D-DC16	D-DC16
Partition plate	ATP-DS / ATP-PC N	ATP-DS / ATP-PC N
Cover profile	AP3-COVER / AP3-T / AP3-T-KS	AP3-COVER / AP3-T / AP3-T-KS
Marker	ZT12 / ZS12	ZT12 / ZS12
Marker support	/	/
Terminal strip marker support	DLM2 / KLM3-20x8 / KLM3-44x8	DLM2 / KLM3-20x8 / KLM3-44x8
End clamp	E-PC 1100A / E-WS N	E-PC 1100A / E-WS N
End cap	NS35/7.5-CAP NS35/15-CAP	NS35/7.5-CAP NS35/15-CAP

Customized

Push-in connection technology

Feed-through, multi-conductor, multi-level, and ground terminal blocks



CE ENEC RoHS REACH

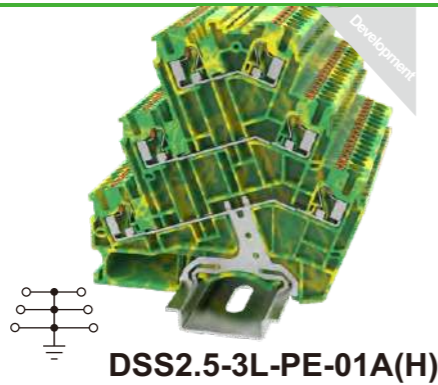
CE ENEC RoHS REACH

Order NO.	/	/
Width/Length/Height(NS35/7.5&NS35/15) mm	5.2/99.4/92.6(100.1)	5.2/99.4/92.6(100.1)
Electrical Data	IEC IEC60947-7-1 IEC60947-7-2	UL UL1059
Rated voltage V	800	600
Rated current A	20	20
Rated cross section mm ² /AWG	0.14-4	26-12
Connection capacity	Solid Stranded Ferrule (with and without plastic sleeve)	Solid Stranded Ferrule (with and without plastic sleeve)
1 conductor mm ²	0.14-4 0.14-2.5 0.14-2.5 0.14-2.5	0.14-4 0.14-2.5 0.14-2.5 0.14-2.5
2 flexible conductors with a TWIN ferrule mm ²	— — — 0.5	— — — 0.5
General Information		
Insulation material/Flammability rating (according to UL 94)	PA/V0	PA/V0
Operation temperatures °C (°F)	-40(-40)~105(221)	-40(-40)~105(221)
Stripping length mm	10-12	10-12
Color	Grey, Red, Blue (please contact sales for other color requirements)	Grey, Red, Blue (please contact sales for other color requirements)
Accessories		
Ferrule	/	/
Slotted screwdriver size (Blade thickness x Width) mm	0.6x3.5	0.6x3.5
Bridge (2P, 3P, 10P)	DFBS2-5.2 / DFBS3-5.2 / DFBS10-5.2	DFBS2-5.2 / DFBS3-5.2 / DFBS10-5.2
End cover	D-DS2.5-PE/3L	D-DS2.5-PE/3L
Partition plate	ATP-DS / ATP-PC N	ATP-DS / ATP-PC N
Cover profile	AP3-COVER / AP3-T / AP3-T-KS	AP3-COVER / AP3-T / AP3-T-KS
Top marker	ZB5 / ZS5	ZB5 / ZS5
Side marker	ZK5 / ZSF5	ZK5 / ZSF5
Marker support	DMTH5-2 / DMTH5-3	DMTH5-2 / DMTH5-3
Terminal strip marker support	DLM2 / KLM3-20x8 / KLM3-44x8	DLM2 / KLM3-20x8 / KLM3-44x8
End clamp	E-PC 1100A / E-WS N	E-PC 1100A / E-WS N
End cap	NS35/7.5-CAP NS35/15-CAP	NS35/7.5-CAP NS35/15-CAP

Customized

Push-in connection technology

Feed-through, multi-conductor, multi-level, and ground terminal blocks



DSS2.5-3L-PE-01A(H)

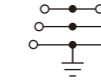
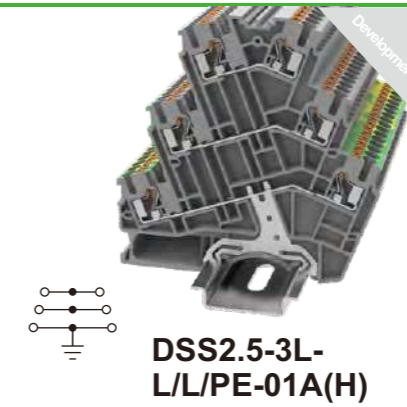
CE ENEC RoHS REACH

Order NO.	/				
Width/Length/Height(NS35/7.5&NS35/15)	mm	5.2/99.4/92.6(100.1)			
Electrical Data		IEC	UL		
		IEC60947-7-1 IEC60947-7-2	UL1059		
Rated voltage	V	/	/		
Rated current	A	/	/		
Rated cross section	mm ² /AWG	0.14-4	26-12		
Connection capacity		Solid	Stranded	Ferrule (with and without plastic sleeve)	
1 conductor	mm ²	0.14-4	0.14-2.5	0.14-2.5	0.14-2.5
2 flexible conductors with a TWIN ferrule	mm ²	—	—	—	0.5
General Information					
Insulation material/Flammability rating (according to UL 94)		PA/V0			
Operation temperatures	°C (°F)	-40(-40)~105(221)			
Stripping length	mm	10-12			
Color		Yellow green mixed color			
Accessories					
Ferrule		/			
Slotted screwdriver size (Blade thickness x Width)	mm	0.6x3.5			
Bridge (2P, 3P, 10P)		DFBS2-5.2 / DFBS3-5.2 / DFBS10-5.2			
End cover		D-DS2.5-PE/3L			
Partition plate		ATP-DS / ATP-PC N			
Cover profile		AP3-COVER / AP3-T / AP3-T-KS			
Top marker		ZB5 / ZS5			
Side marker		ZK5 / ZSF5			
Marker support		DMTH5-2 / DMTH5-3			
Terminal strip marker support		DLM2 / KLM3-20x8 / KLM3-44x8			
End clamp		E-PC 1100A / E-WS N			
End cap		NS35/7.5-CAP NS35/15-CAP			

Customized

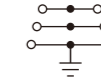
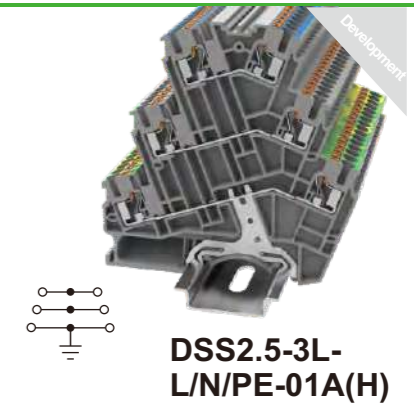
Push-in connection technology

Feed-through, multi-conductor, multi-level, and ground terminal blocks



DSS2.5-3L-L/L/PE-01A(H)

CE ENEC RoHS REACH



DSS2.5-3L-L/N/PE-01A(H)

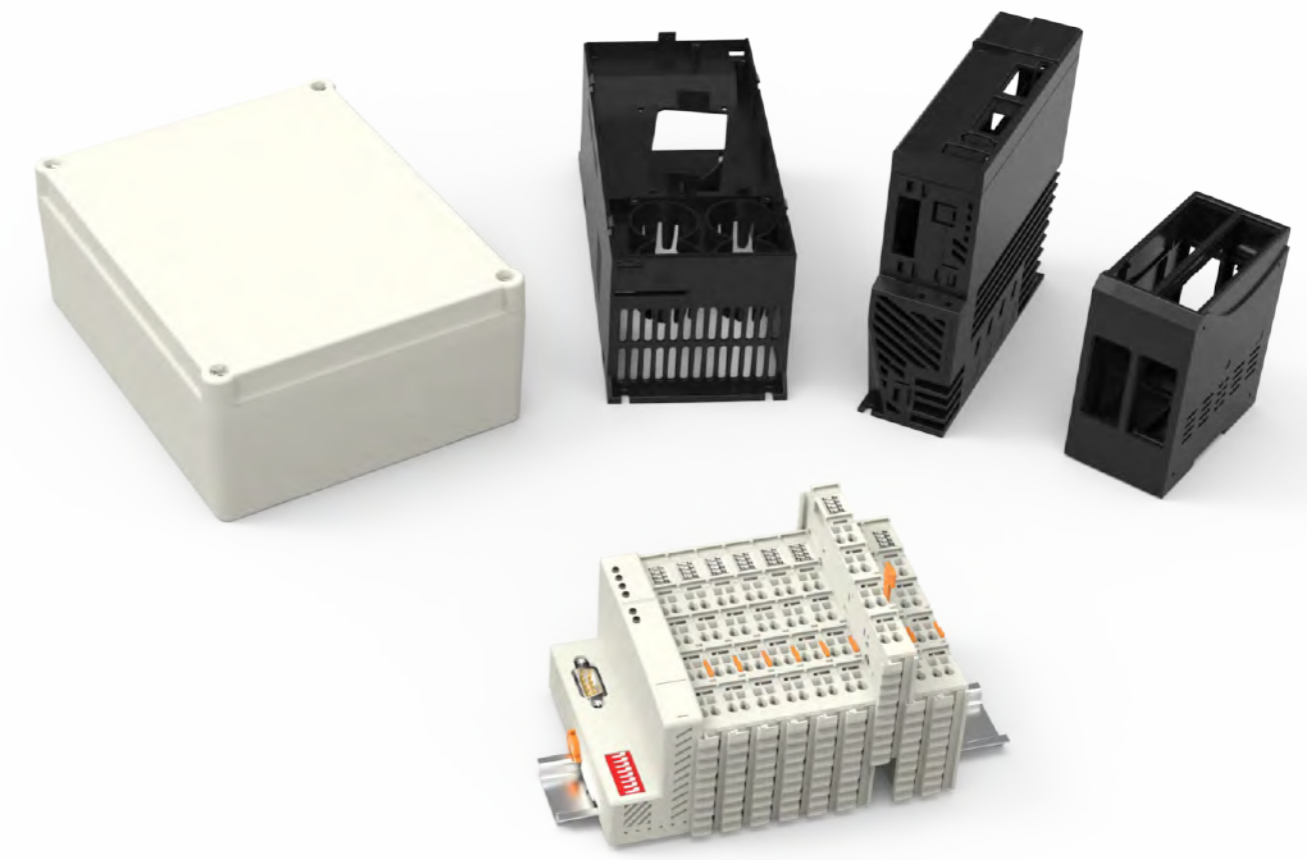
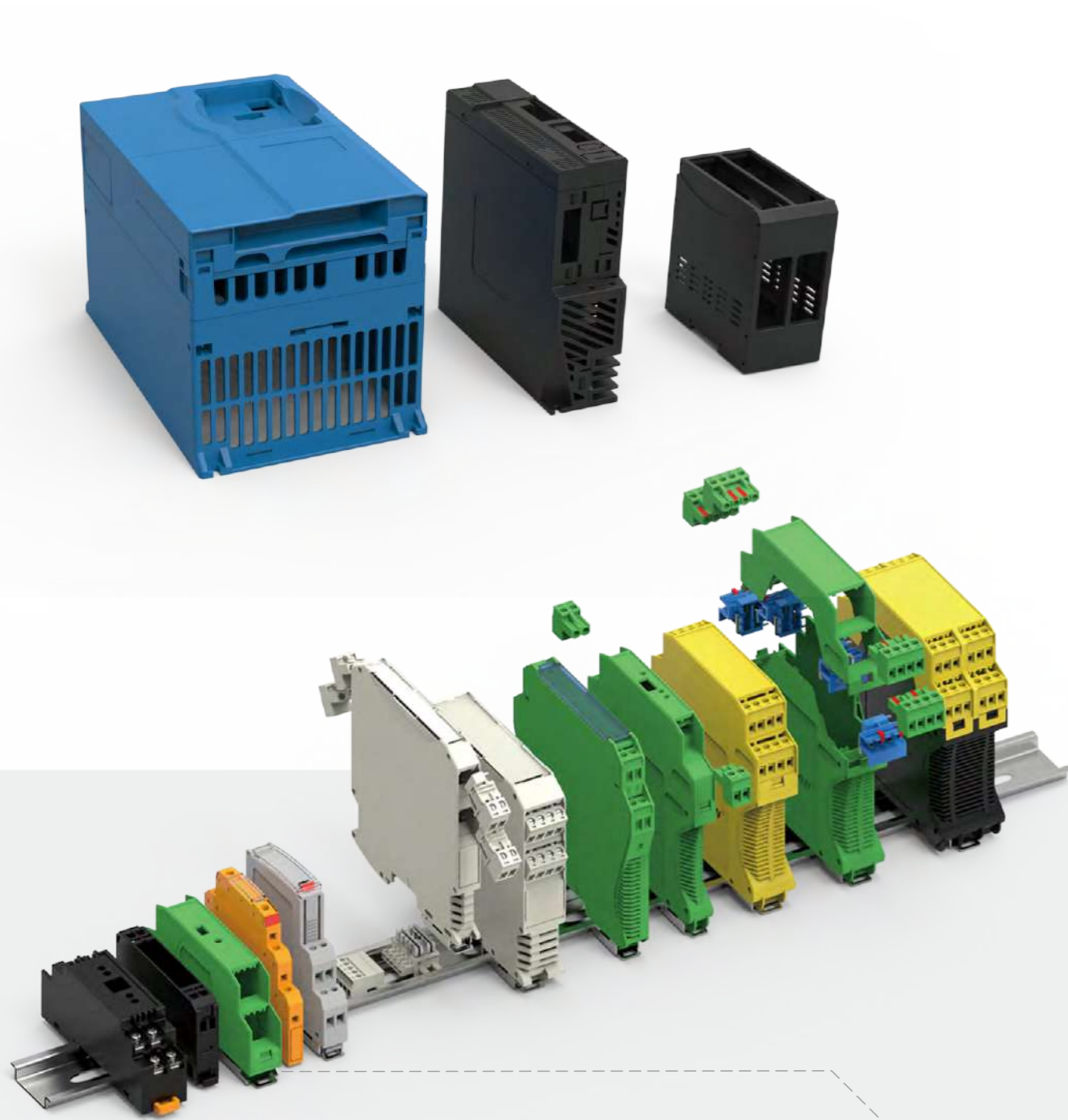
CE ENEC RoHS REACH

Order NO.	/				/				
Width/Length/Height(NS35/7.5&NS35/15)	mm	5.2/99.4/92.6(100.1)				5.2/99.4/92.6(100.1)			
Electrical Data		IEC	UL		IEC	UL			
		IEC60947-7-1 IEC60947-7-2	UL1059		IEC60947-7-1 IEC60947-7-2	UL1059			
Rated voltage	V	800	600		800	600			
Rated current	A	20	20		20	20			
Rated cross section	mm ² /AWG	0.14-4	26-12		0.14-4	26-12			
Connection capacity		Solid	Stranded	Ferrule (with and without plastic sleeve)		Solid	Stranded	Ferrule (with and without plastic sleeve)	
1 conductor	mm ²	0.14-4	0.14-2.5	0.14-2.5	0.14-2.5	0.14-4	0.14-2.5	0.14-2.5	0.14-2.5
2 flexible conductors with a TWIN ferrule	mm ²	—	—	—	0.5	—	—	—	0.5
General Information									
Insulation material/Flammability rating (according to UL 94)		PA/V0				PA/V0			
Operation temperatures	°C (°F)	-40(-40)~105(221)				-40(-40)~105(221)			
Stripping length	mm	10-12				10-12			
Color		Grey, Red, Blue (please contact sales for other color requirements)				Grey, Red, Blue (please contact sales for other color requirements)			
Accessories									
Ferrule		/				/			
Slotted screwdriver size (Blade thickness x Width)	mm	0.6x3.5				0.6x3.5			
Bridge (2P, 3P, 10P)		DFBS2-5.2 / DFBS3-5.2 / DFBS10-5.2				DFBS2-5.2 / DFBS3-5.2 / DFBS10-5.2			
End cover		D-DS2.5-PE/3L				D-DS2.5-PE/3L			
Partition plate		ATP-DS / ATP-PC N				ATP-DS / ATP-PC N			
Cover profile		AP3-COVER / AP3-T / AP3-T-KS				AP3-COVER / AP3-T / AP3-T-KS			
Top marker		ZB5 / ZS5				ZB5 / ZS5			
Side marker		ZK5 / ZSF5				ZK5 / ZSF5			
Marker support		DMTH5-2 / DMTH5-3				DMTH5-2 / DMTH5-3			
Terminal strip marker support		DLM2 / KLM3-20x8 / KLM3-44x8				DLM2 / KLM3-20x8 / KLM3-44x8			
End clamp		E-PC 1100A / E-WS N				E-PC 1100A / E-WS N			
End cap		NS35/7.5-CAP NS35/15-CAP				NS35/7.5-CAP NS35/15-CAP			

Customized Housing Solutions

Feature

- Customized enclosures, variety connection method
- Customized personalized products according to customer needs
- One-stop value-added service



Customized Capabilities

- The professional team will provide all-round support from development, production, quality assurance to implementation.
- Early participation of suppliers, covering raw material selection, design for manufacturability (DFM), design of experiments (DOE), mold flow analysis, product prototyping, etc., shortening project time and reducing customer costs.
- High level and vertical integration, response to customer requirements quickly with it's own mold workshop and processing, manufacturing equipments.
- Whole-process integrated value-added services, providing supporting services such as printing, painting, hot-melting, assembly, etc.
- Approved by ISO9001:2015, ISO14001:2015, has a complete quality control system and measurement system.

Integrated Services

Provide high quality, safe and reliable connection solutions for global clients.



R&D

With more than 30 years' experience in terminal blocks and die-making, DEGSON has a team of experienced engineers. Our R&D department is equipped with advanced computer integrated manufacturing system (CIMS), which combines design, manufacturing and analysis into one system. We take part in international technical communication and cooperation activities frequently, and provide customers with complete technical solution on products development and manufacture. Our R&D team has a lot of experience with the manufacture of thousands of precise moulds; meanwhile, we are keeping on making innovations, challenging the diversified high precision parts manufacture and trying to create advanced precision mould. Customized product design and 3D printing samples are available.



Technical discussion



China, European Invention Patent Certificate



Chinese Utility Model Patent Certificate

Tooling Making

TOOLING-MAKING TECHNOLOGY AND ENGINEERING CAPABILITIES

Strong die-making ability, modular mould design, we can quickly finish the die-making and provide samples to our customers. DEGSON are well-equipped with advanced Japanese Sodick slow-feeding wire-cut machines, Japanese Mitsubishi EDM, grinding and milling machines etc., Nearly 100 sets of top machines for die-making. We have experienced engineers for tooling design, tooling assembly, tooling debugging. We produce more than 800 sets of all kinds of precision tooling per year.



Sodick low speed wire cutting machines(11 sets)



Medium speed wire cutting machines(11 sets)



Mitsubishi EDM machines(14 sets)



CNC machining centers(8 sets)

Tooling Quality Control

MOULD QUALITY CONTROL

We have more than a dozen set of precision testing equipments such as 3D measuring instrument, high-precision projector, high-precision height gauge. We have strict control of each process starting from material choosing, die processing, thermal treatment, machining to die assembly and die trial. Every tooling part has been strictly inspected before assembling.



High-precision milling machines (9 sets)



High precision surface grinding machines (30 sets)



Laser marking machine (2 sets)



Three coordinate measuring device (1 set)

High-precision projector (12 sets)

Precise Stamping

STAMPING&PUNCHING CAPACITY

Our company has 40 sets of high speed stamping & punching machines , with processing capacity ranging from 10 to110 tons. We use progressive die which allows all operations to be performed in one single die, high efficiency and precision. We can stamp various materials including, brass, phosphor bronze, beryllium copper, Alpaka , stainless steel and so on.



Turning machies



Automatic (spring) forming machines



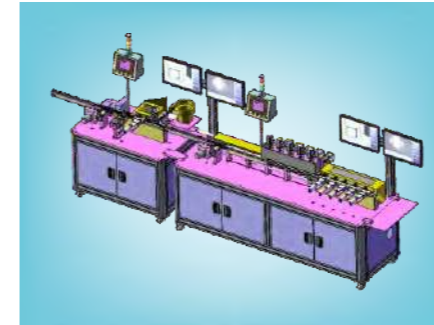
Precise plastic injection machines



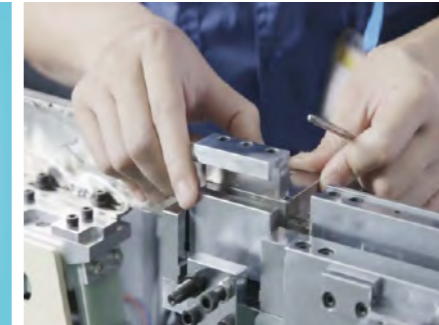
Precise high speed stamping machines

Automatic Manufacturing, Production

45 engineers responsible for automatic equipments hardware and software , fully independent automation equipments development.



Equipments R&D



Hardware



Software



Automatic assembly accounts for 80% of our production, with nearly 300 sets equipments to improve product consistency, automatic inspection and fast delivery.



Manual assembly lines to meet customer diversified customized requirements.

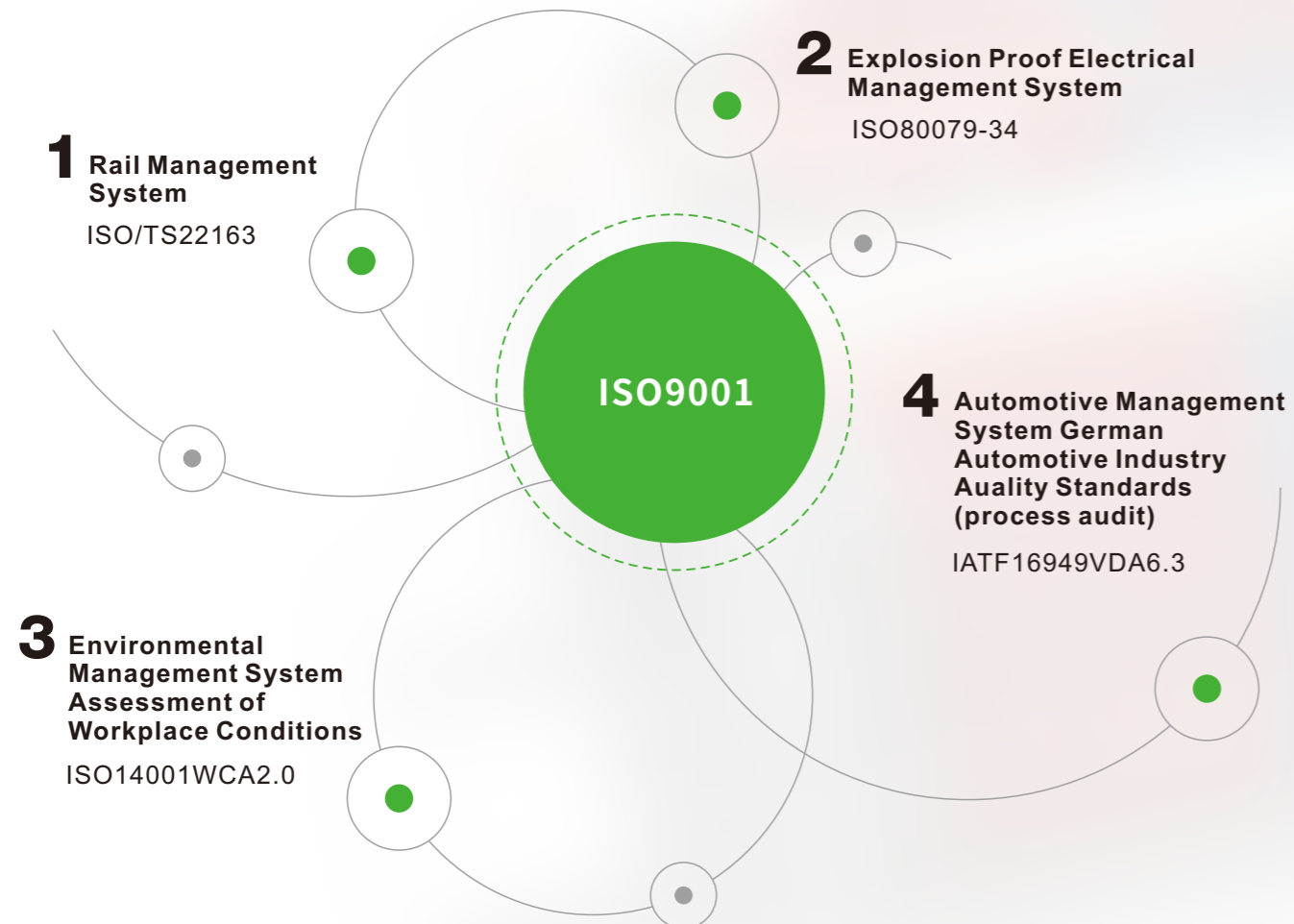


EV Charger automatic assembly lines.

Testing standard of DIN Rail terminal blocks

Quality Core Factors

The quality core factors coming from different industries and fields are important standards and specifications for product and process control



Certification Bodies And Safety Signs

Product certification is an internationally accepted product quality assurance model, and it is an inevitable choice to be in line with international standards to improve product credibility.



Certification For Special Fields

DIN-rail terminal blocks have passed tests that require more than basic standards and are therefore suitable for use in a variety of industries, including electricity, rail, process control, chemical, petrochemical, and shipbuilding

Electricity

Consistent confirmation by a nationally recognized professional laboratory for electricity field



Rail Transit

ISO/TS22163 quality system requires that product performance conforms to IEC61373, IEC60068-2-27 anti-vibration shock requirement, EN45545-2, R22, R23 requirements, and VOC environmental requirements



Petroleum & Chemical

ISO80079-34 Explosion Proof Electrical Management System requires products must meet the certification requirements of IECEX, ATEX, 3C



IECEX,ATEX and 3C: Globally Applicable Explosion Proof Standards

DEGSON's terminal blocks have obtained the IECEX and ATEX certificates issued by the EU-authorized test center (TI, CQM) based on the IEC/EN60079-7 standard, which can meet the requirements of increased safety Ex eb or Ex ec protection requirements, suitable for installation in the wiring space of explosion-proof zone 2, especially explosion-proof zone 1

Increased safety (Ex eb) terminal blocks can be divided into the following categories

- Push-in DS Series Din Tail Terminal Blocks
- Screw PC/DC Series Din Tail Terminal Blocks
- Spring cage WS Series Din Tail Terminal Blocks
- Mini spring cage WS Series Din Tail Terminal Blocks

Increased safety (Ex ec) type terminals, suitable for explosion-proof zone 2, can be divided into the following categories

- Push-in DS Series Din Tail Terminal Blocks
- Screw PC/DC Series Din Tail Terminal Blocks
- Fuse din rial terminal blocks
- Test disconnect din rial terminal blocks

The above technical parameters in accordance with IEC/EN 60079

Marking according to ATEX Directive 2014/34/EU	
Manufacturer or trademark	
Certification body number	NB1354
Device group	II
Device category	2
Operating environment (°C)	-55~110
Gas	G
Labeled according to IEC/EN 60079-0 and IEC/EN 60079-7 for safety improvement	
Manufacturer or trademark	
Model description	DS,PC,WS,DC
Explosion Proof Abbreviation	Ex
Type of protection	eb , ec
Device group	II
Device Protection Level	Gb
Certification Body ID	CQM
ATEX certification number	Issued in July 2022
IECEX certification number	Issued in July 2022

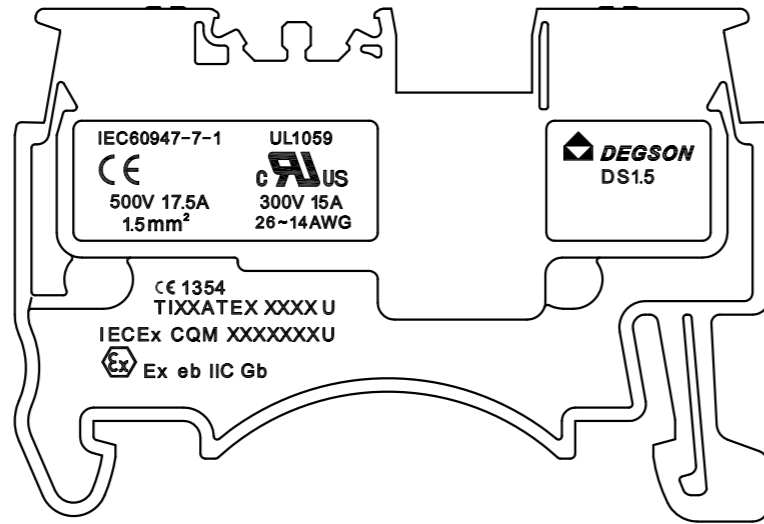


IECEX,ATEX and 3C: Globally Applicable Explosion Protection Standards

Din Rail Terminal Blocks Type Test Perform the following tests

- Type testing according to IEC 60947-7-1/-2
- Clearance and creepage test and insulation test
- Aging test
 - 1) Store at 95°C and 95% humidity for 14 days (336H)
 - 2) A further 14 days (336H) test is carried out under the condition that the dry heat condition reaches the TI value of the insulating material
 - 3) Store at -65°C for 24 hours followed by wire pull test

- Temperature-rise test
At 1.1 times the rated current, the temperature rise does not exceed 40K. These terminal blocks are fully tested in accordance with IEC/EN 60079 during factory processing, including insulation test



Terminal blocks components etc for use in explosion-proof areas must be marked as shown picture



Certificate indicates that the test was performed by the relevant accreditation body

IEC60947-7-1/-2 Wiring Capacity

The design of the wire terminal must ensure that the wire of the rated cross-section can be reliably connected within the range of the rated wiring capacity. Available in Metric (mm²) or American (AWG)

Rated cross-sectional area = maximum cross-sectional area value of various connectable conductors (flexible, single-strand, and multi-strand), based on which specific thermal, mechanical, and electrical requirements are based

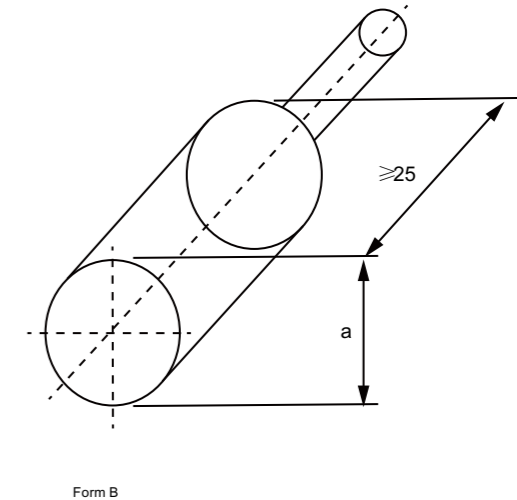
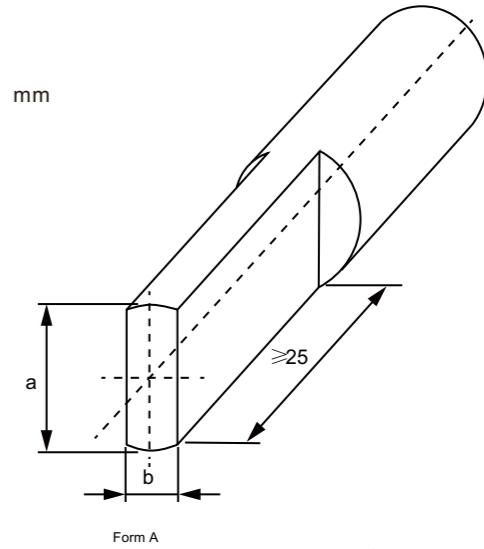
Definition of rated wiring capacity: maximum and minimum cross-sectional area (at least two grades difference) and the number of connectable wires, rail terminals are designed according to this wiring capacity

During the test, din rail terminal blocks connects conductors of rated cross-section within the rated wiring capacity. Alternatively, the nominal cross section can also be verified with a plug gauge (see attached drawing)

Wires and plug gauges must be capable of unrestricted insertion or access to the terminal

The rated cross section of DEGSON din rail terminals far exceeds the standard requirements. All series can be connected to conductors of rated cross section with ferrules and insulating sleeves due to rational design

Unit: mm

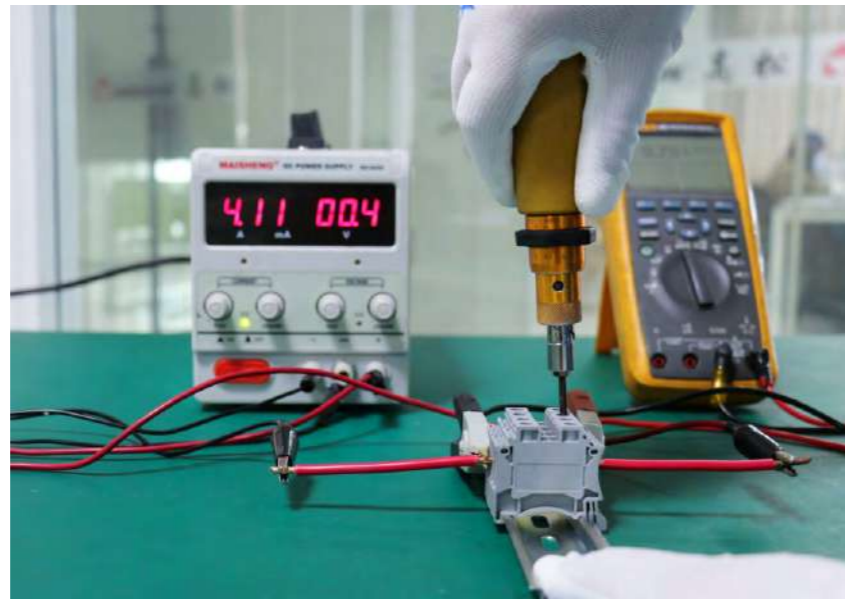
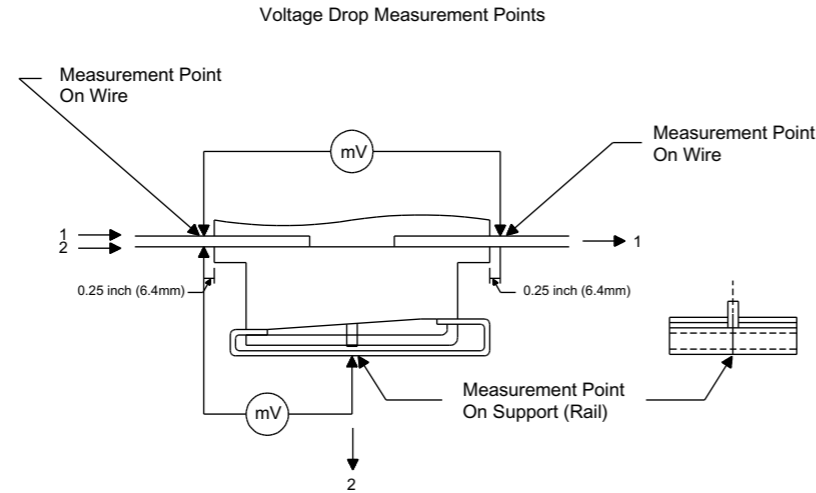


Type A and Type B plug gauges according to IEC 60947-1

IEC60947-7-1/-2 Mechanical Strength

Din Rail Terminal Torque Test

- Testing purposes:
Verify screw connection product can withstand mechanical strength when it is locked
- Testing method:
 - Spring structure: Rigid conductors of rated cross-section are inserted 5 times into the two connection points of the five terminals and removed from them
 - Screw structure: Tighten the connection point to the torque specified by the manufacturer and then test 5 times
- Judgement standard:
The connection points must be able to withstand repeated disconnections without appreciable damage. The voltage drop before and after the test shall not exceed 3.2mV, and the voltage after the test shall not exceed 1.5 times the value measured before the test
- Quality requirements:
DEGSON terminal blocks can be dismantled many times, and the connection quality is not affected in any way. Depending on the connection technology, the number of connections and disconnections can be used repeatedly.



Din Rail Terminal Torque Test

IEC60947-7-1/-2 Mechanical Strength

Din Rail Terminal Blocks Rotational Pull Test

- Testing purposes:
Check the firmness of the connecting wire of the terminal block
- Testing method:
Conduct this test on rigid or flexible conductors of minimum, rated, and maximum cross-section. Connect the conductors to vertically fixed terminal blocks. Suspend a test weight at the end of the conductor, the weight of which corresponds to the conductor's cross-section. The wire passes through the opening 37.5mm away from the central axis of the turntable, 135 revolutions around the axis. After this is completed, perform a 1-minute wire-pull reinforcement test on the connection point
- Judgement standard:
Do not fall off from the wiring hole, the sample is not damaged
- Quality requirements:
DEGSON terminal blocks ensures that the conductors are protected in the crimping area, and neither the conductors nor the connection points will be damaged. The quality remains the same even after multiple crimping



Din Rail Terminal Blocks Rotational Pull Test



Din Rail Terminal Blocks Static Pull Test

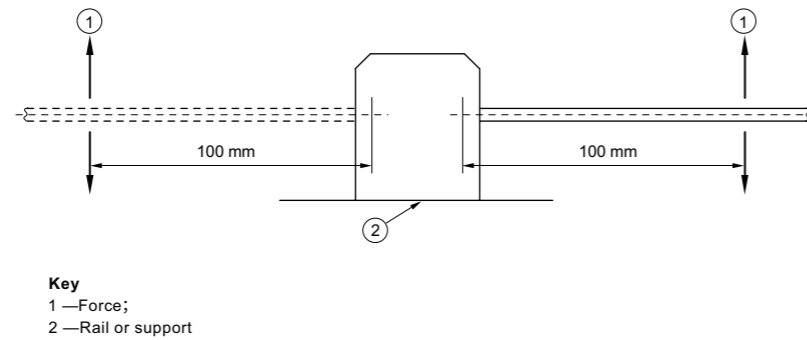
Wire pull-out force complies with UL486E/IEC 60999/EN 60999

Wire diameter (AWG)	30	28	26	24	22	20	18	-	16	14	12	10	8	6	4	3	2	1	1/0	2/0	3/0
Area (mm ²)	0.05	0.08	0.13	0.2	0.32	0.52	0.82	-	1.3	2.1	3.3	5.3	8.4	13.3	21.2	26.7	33.6	42.4	53.5	67.4	85
Diameter (mm)	0.25	0.32	0.41	0.5	0.64	0.81	1.02	-	1.29	1.63	2.05	2.3	3.27	4.12	5.2	5.83	6.54	7.37	8.26	9.27	10.4
Pull force (N)	2.2	4.5	8.9	13	20	30	30	-	40	50	60	80	90	94	133	156	186	235	285	285	351
Wire diameter (mm ²)	-	-	-	0.2	-	0.5	0.75	1	1.5	2.5	4	6	10	16	25	-	35	-	50	70	95
Diameter (mm)	-	-	-	0.5	-	0.8	0.98	1.13	1.38	1.78	2.26	2.76	3.57	4.51	5.64	-	6.68	-	7.89	9.44	11
Pull force (N)	-	-	-	10	-	30	30	35	40	50	60	80	90	100	135	-	190	-	236	285	351

IEC60947-7-1/-2 Mechanical Strength

Test of din rail terminal blocks mounted on brackets

- Testing purposes: Verify that the terminal blocks can withstand a certain amount of force to prevent it from loosening from the bracket. Damage is also not allowed during test
- Testing method: Mount the terminal blocks on suitable brackets specified by the manufacturer. Clamp the 150mm long steel rod on the connection point, apply a certain tension and pressure (related to the cross section) on the connection position and the fixed position of the terminal, the length of the force arm is 100mm
- Judgement standard: During the test, the product must not loose from the mounting rail or bracket, and must not have any other damage
- Quality requirements: DEGSON terminal blocks ensures that the conductors are protected in the crimping area, and neither the conductors nor the terminals will be damaged. The quality remains the same even after multiple crimping



Wire diameter (mm ²)	0.2	0.5	0.75	1	1.5	2.5	4	6	10	16	25	35	50	70	95	120	150	185	240	300
Wire diameter (AWG/kcmil)	24	20	18	-	16	14	12	10	8	6	4	2	1/0	2/0	3/0	250	300	350	500	600
Force (N)	1							5			10			15			20			
Diameter (mm)	1							2.8			5.7			12.8			20.5			

IEC60947-7-1, UL1059 Air Clearances And Creepage Distances

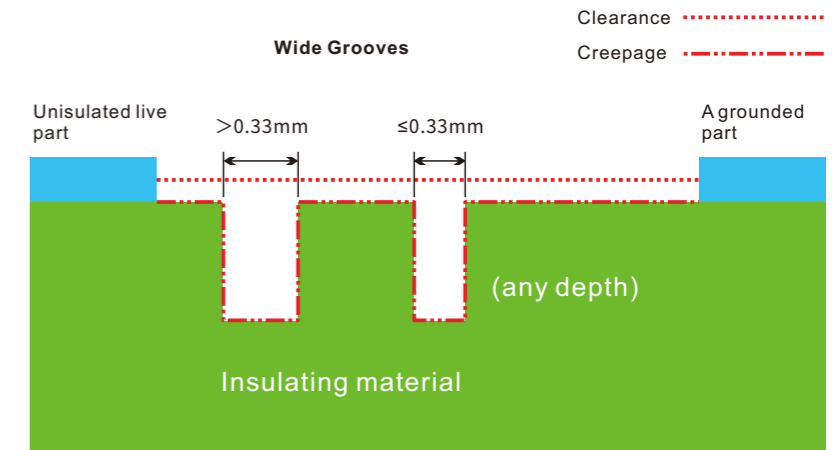
Din rail terminal blocks clearance and creepage distance test

- Testing purposes: The distance of clearance and creepage must ensure efficient and durable electrical insulation
 - Application
 - Pollution degree
 - Material Group
- Test method:
 - Clearance: the shortest straight-line distance between two conductors in the air. The size of the electrical clearance must be based on the maximum possible impulse withstand voltage (see figure)
 - Creepage: the shortest distance between the two conductors on the surface of the insulator. The rated voltage, pollution degree and insulating material of the terminals have important influence on determining the minimum creepage distance (see figure)

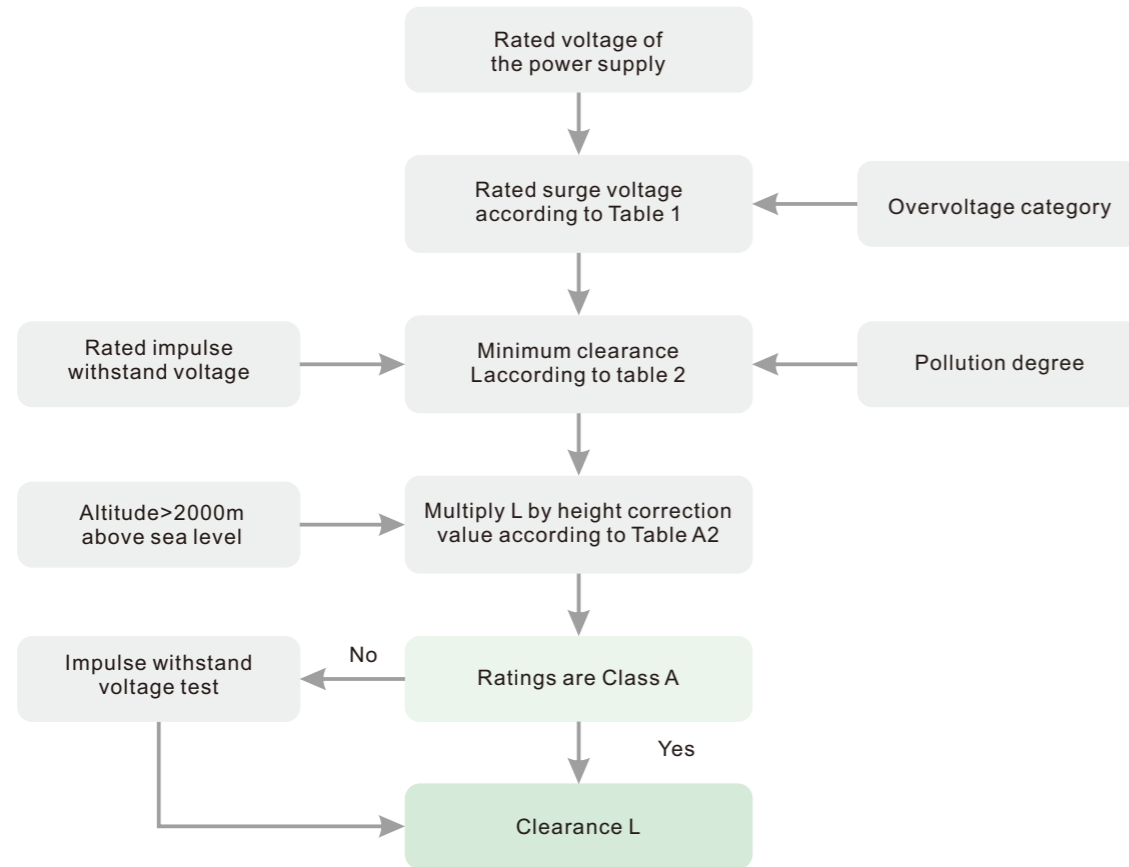
- Judgement standard: Meet the standard range values determined by IEC60947 and UL1059
- Quality requirements: DEGSON terminal blocks are all in accordance with the requirements of IEC overvoltage class III and pollution degree 3; UL1059 terminals are usually designed according to the rated voltage in group B

Minimum acceptable spacings				
Application	Potential involved in volts	Minimum spacings in inches (mm) between uninsulated live parts of opposite polarity; and between an uninsulated live part and a grounded part including any mounting surface or exposed metal part		
		Through air		Over surface
A. Service - including dead-front switchboards, panelboards, service equipment, and the like	51-150	1/2	(12.7)	3/4 (19.1)
	151-300	3/4	(19.1)	1-1/4 (31.8)
	301-600	1	(25.4)	2 (50.8)
B. Commercial appliances, including business equipment, electronic data processing equipment, and the like	51-150	1/16 ^a	(1.6) ^a	1/16 ^a (1.6) ^a
	151-300	3/32 ^a	(2.4) ^a	3/32 ^a (2.4) ^a
	301-600	3/8	(9.5)	1/2 (12.7)
C. Industrial, general	51-150	1/8 ^a	(3.2) ^a	1/4 (6.4)
	151-300	1/4	(6.4)	3/8 (9.5)
D. Industrial, devices having limited ratings	301-600	3/8	(9.5)	1/2 (12.7)
	51-300	1/16 ^a	(1.6) ^a	1/8 ^a (3.2) ^a
	301-600	3/16 ^a	(4.8) ^a	3/8 (9.5)
E. Terminal blocks rated 601-1500 V	601-1000	0.55	(14.0)	0.85 (21.6)
	1001-1500	0.70	(17.8)	1.20 (30.5)
F.	Industrial, devices using the alternative approach to spacings	51-1500	As Determined By Evaluation	

NOTES -
1) A slot, groove, or similar spacing, 0.013 inch (0.33mm) wide or less in the contour of insulating material is to be disregarded.
2) An air space of 0.013 inch (0.33mm) or less between a live part and an insulating surface is to be disregarded for the purpose of measuring over surface spacings.
^a The spacing between field wiring terminals of opposite polarity and the spacing between a field wiring terminal and a grounded dead metal part shall not be less than 1/4 inch (6.4mm) if short-circuiting or grounding of such terminals may result from projecting strands of wire. Examples of means that prevent stray wire strand contact include rating the terminal block for solid wire only, and design features such as recessed terminal pockets.



IEC60664-1 Methods of Determining Electrical Clearances



Rated surge voltage value of equipment directly powered by low-voltage grid						
Nominal voltage of the power supply system ^① (mains) as per IEC 60038 ^②		Conductor-neutral conductor voltage derived from the total nominal AC voltage or nominal DC voltage [V]	Rated surge voltage ^③ [V] Overvoltage category ^④			
Three phase [V]	Single phase [V]		I	II	III	IV
		50	330	500	800	1500
		100	500	800	1500	2500
	120 to 240	150	800	1500	2500	4000
230/400	277/480	300	1500	2500	4000	6000
	400/690	600	2500	4000	6000	8000
	1000	1000	4000	6000	8000	12000

- ① For the application of the existing offset low voltage grid and its rated voltage, please refer to
- ② Equipment with this rated surge voltage value according to IEC60364-4-443 can be used in the system
- ③ A slash (/) indicates a three-phase four-conductor system. The lower value represents the voltage between conductor and neutral, while the upper value represents the voltage between conductor and conductor. If only one value is specified, it represents the conductor-to-conductor voltage of a three-phase three-conductor system
- ④ For a description of overvoltage categories, please refer to the Electrical Insulation Characteristics chapter

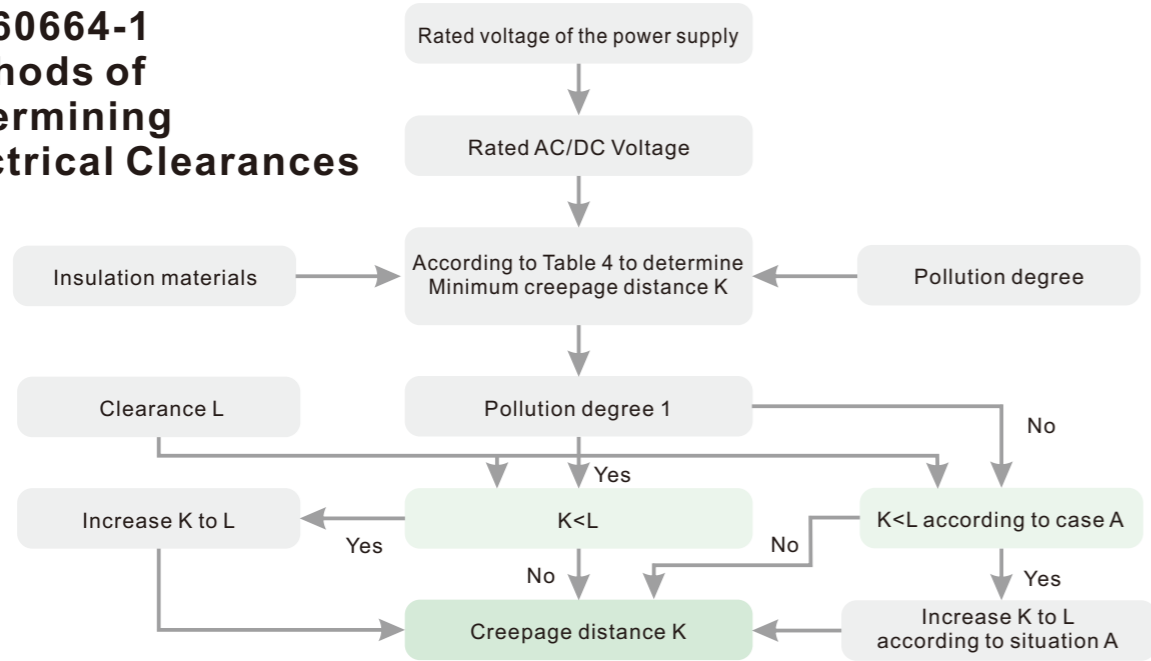
IEC60664-1 Methods of Determining Electrical Clearances

Altitude correction value		
Altitude [m]	Normal air pressure [kPa]	Gap correction factor
2000	80.0	1.00
3000	70.0	1.14
4000	62.0	1.29
5000	54.0	1.48
6000	47.0	1.70
7000	41.0	1.95
8000	35.5	2.25
9000	30.5	2.62
10000	26.5	3.02
15000	12.0	6.67
20000	5.5	14.50

Minimum electrical clearance						
Rated impulse withstand voltage value [KV]	Case A Non-uniform electric field (refer to 3.15)			Case B Uniform electric field (refer to 3.14)		
	Pollution degree ^⑤			Pollution degree ^⑤		
	1 [mm]	2 [mm]	3 [mm]	1 [mm]	2 [mm]	3 [mm]
0.33 ^②	0.01	0.2 ^{③④}	0.8 ^③	0.01	0.2 ^{③④}	0.8 ^③
0.40	0.02			0.02		
0.5 ^②	0.04			0.04		
0.60	0.06			0.06		
0.80 ^②	0.10			0.10		
1.0	0.15	0.25	1.0	0.15	0.3	0.8 ^③
1.2	0.25			0.2		
1.5 ^②	0.5	0.5	1.0	0.3	0.3	0.8 ^③
2.0	1.0	1.0	1.0	0.45	0.45	
2.5 ^②	1.5	1.5	1.5	0.6	0.6	0.8 ^③
3.0	2.0	2.0	2.0	0.8	0.8	
4.0 ^②	3	3	3	1.2	1.2	1.2
5.0	4	4	4	1.5	1.5	1.5
6.0 ^②	5.5	5.5	5.5	2	2	2
8.0 ^②	8	8	8	3	3	3
10	11	11	11	3.5	3.5	3.5
12 ^②	14	14	14	4.5	4.5	4.5
15	18	18	18	5.5	5.5	5.5
20	25	25	25	8	8	8
25	33	33	33	10	10	10
30	40	40	40	12.5	12.5	12.5
40	60	60	60	17	17	17
50	75	75	75	22	22	22
60	90	90	90	27	27	27
80	130	130	130	35	35	35
100	170	170	170	45	45	45

- ① The impulse withstand voltage:
- For functional insulation, the maximum surge voltage of the clearance
- For basic insulation, the rated surge voltage value of equipment affected by direct or substantial transient overvoltages from the low-voltage grid
- For different basic insulation, the highest possible surge voltage in the circuit.
- ② Priority value
- ③ The values for pollution degree 1 apply to the PCB, but only within 0.04mm of the values specified in Table 4 are allowed
- ④ The minimum clearances for pollution degrees 2 and 3 are based on the corresponding creepage distances. This resistance decreases due to humidity
- ⑤ These values can be adjusted appropriately for components or circuits inside the equipment that are affected by surge voltages
- ⑥ The value corresponding to pollution degree 4 is equal to the value corresponding to pollution degree 3, except that the minimum electrical clearance is 1.6mm

IEC60664-1 Methods of Determining Electrical Clearances



Creepage distance set to prevent faults caused by creepage

Voltage RMS ^①	Minimum creepage distance									
	PCB		Pollution degree							
	Pollution degree		1			2			3	
	All Insulation Material Categories	All insulating material classes except class III b	Insulation material category			Insulation material category			Insulation material category	
[V]	[mm]	[mm]	[mm]	[mm]	[mm]	[mm]	[mm]	[mm]	[mm]	[mm]
10	0.025	0.04	0.08	0.4	0.4	0.4	1.00	1.00	1.00	
12.5	0.025	0.04	0.09	0.42	0.42	0.42	1.05	1.05	1.05	
16	0.025	0.04	0.10	0.45	0.45	0.45	1.10	1.10	1.10	
20	0.025	0.04	0.110	0.48	0.48	0.48	1.20	1.20	1.20	
25	0.025	0.04	0.125	0.5	0.5	0.5	1.25	1.25	1.25	
32	0.025	0.04	0.140	0.53	0.53	0.53	1.30	1.30	1.30	
40	0.025	0.04	0.16	0.56	0.8	1.1	1.4	1.6	1.8	
50	0.025	0.04	0.18	0.6	0.85	1.2	1.5	1.7	1.9	
63	0.040	0.63	0.20	0.63	0.9	1.25	1.6	1.8	2.0	
80	0.063	0.10	0.22	0.67	0.95	1.3	1.7	1.9	2.1	
100	0.10	0.16	0.25	0.71	1.0	1.4	1.8	2.0	2.2	
125	0.16	0.25	0.28	0.75	1.05	1.5	1.9	2.1	2.4	
160	0.25	0.4	0.32	0.8	1.1	1.6	2.0	2.2	2.5	
200	0.40	0.63	0.42	1.0	1.4	2.0	2.5	2.8	3.2	
250	0.56	1.0	0.56	1.25	1.8	2.5	3.2	3.6	4.0	
320	0.75	1.6	0.75	1.6	2.2	3.2	4.0	4.5	5.0	
400	1.0	2.0	1.00	2.0	2.8	4.0	5.0	5.6	6.3	
500	1.3	2.5	1.30	2.5	3.6	5.0	6.3	7.1	8.0	
630	1.8	3.2	1.80	3.2	4.5	6.3	8.0	9	10.0	
800	2.4	4.0	2.40	4.0	5.6	8.0	10.0	11	12.5	
1000	3.2	5.0	3.20	5.0	7.1	10	12.5	14	16.0	
1250			4.20	6.3	9	12.5	16	18	20	
1600			5.60	8	11	16	20	22	25	
2000			7.50	10	14	20	25	28	32	
2500			10	12.5	18	25	32	36	40	
3200			12.5	16	22	32	40	45	50	
4000			16	20	28	40	50	56	63	
5000			20	25	36	50	63	71	80	
6300			25	32	45	63	80	90	100	
8000			32	40	56	80	100	110	125	
10000			40	50	71	100	125	140	160	

① The voltage:
 a For functional insulation, it is the working voltage.
 b For basic and supplementary insulation of circuits supplied directly from the low-voltage mains, the voltage selected from Table 3a or 3b according to the rated voltage of the equipment or the rated insulation voltage of the equipment.
 c For the basic and supplementary insulation of systems, equipment and internal circuits that are not directly powered by the power supply, the voltages within the rated parameters may be generated by systems, equipment or internal circuits that use rated voltages in various harsh operating environments. Highest true rms value.
 ② In the case of pollution degree 3, if the voltage is higher than 630V, the use of class III b insulating material is not recommended.

IEC60664-1 Specification for Insulation of Electrical Equipment for Low Voltage Systems

Electrical insulating properties:

Determination of clearances and creepage distances according to IEC60664-1

1) Characteristic values of overvoltages and overvoltage protective devices that may occur in relation to clearances

2) The working voltage related to the creepage distance, the direct surrounding environment that will reduce the insulation characteristics of the device, and the torque specified by the anti-pollution protection measures shall be tested again 5 times

Definition of terms

1) Overvoltage classes I to IV

- Overvoltage category IV:
Can be used for building installation junction points. Note: Devices in this class include electricity meters and major overcurrent protection devices
- Overvoltage category III:
The device can be used in fixed installations, especially in environments that require high device reliability and availability. NOTE: Such devices include fixed-mount switches and industrial equipment permanently connected to fixed-mount devices
- Overvoltage category II:
It is a power-consuming device powered by a fixed installation. Note: Such devices include household appliances, portable equipment, other household appliances and similar devices
- Overvoltage category I:
Can only be used in circuits with limited low-intensity transient overvoltages devices

2) Pollution degree 1 to 4

- Pollution degree 1:
No pollution, or only dry, non-conductive pollution and no effect occurs
- Pollution degree 2:
Only non-conductive pollution occurs. Occasional temporary conductivity occurs due to condensation effects must be considered
- Pollution degree 3:
Conductive pollution or dry non-conductive pollution occurs due to condensation
- Pollution degree 4:
Contamination leads to persistent electrical conductivity, e.g. through conductive dust, rain and snow

3) Pollution degree 1 to 4

- Insulating materials are divided into four groups according to CTI value, which is measured by A solution according to IEC60112 standard
- Insulation material group I: $600 \leq CTI$
- Insulation material group II: $400 \leq CTI < 600$
- Insulation material group III a: $175 \leq CTI < 400$
- Insulation material group III b: $100 \leq CTI < 175$
- Proof Tracking Index(PTI) is used to express the resistance to leakage current characteristics of insulating materials

IEC60947-7-1 UL1059 Electrical Performance test

Power frequency withstand voltage / impulse withstand voltage test of din rail terminal blocks

Testing purpose:

- 1) Power frequency withstand voltage verifies the insulation performance of the product under high voltage conditions, and at the same time verifies the creepage distance between the potentials of two adjacent terminal blocks, and between the terminal blocks and the DIN rail
- 2) Impulse withstand voltage test to prove whether there is a sufficiently large electrical gap between two adjacent potentials

Testing method:

- 1) Power frequency withstand voltage (IEC): the highest effective voltage value or DC voltage value that can continue to occur under the specified use conditions (as shown in the figure). Test voltage duration must exceed 60 seconds
- 2) Impulse withstand voltage (IEC): The test needs to be repeated 5 times, and the time interval is at least 1s. Tested separately for each polarity according to rated insulation voltage

Judgement standard:

- 1) Power frequency withstand voltage: There shall be no spark discharge or breakdown during the test. And the leakage current must be less than 0.5mA
- 2) Impulse withstand voltage: no insulation failure and no flashover during the test

- Quality requirements:
DEGSON terminal blocks are rated for surge voltages between 6kV and 8kV. This effectively verifies the operational safety of the rated working voltage of the terminal block.



UL 1059

$U_i \leq 600$ V:
Test voltage = 1000 V + $2 \times$
Rated insulation voltage U_i
 601 V~ 1500 V:
Test voltage = 2000 V + $2.25 \times$
Rated insulation voltage U_i

Power frequency withstand voltage/
impulse withstand voltage test of din rail terminal blocks

Table 12A-Dielectric test voltage corresponding to the rated insulation voltage		
Rated insulation voltage U_i V	AC test voltage (r.m.s.) V	DC test voltage ^{b, c}
$U_i=60$	1000	1415
$60 < U_i = 300$	1500	2120
$300 < U_i = 690$	1890	2670
$690 < U_i = 800$	2000	2830
$800 < U_i = 1000$	2200	3110
$1000 < U_i = 1500^a$	/	3820

a For d.c. only.
b Test voltage based on 4.1.2.3.1, third paragraph of IEC 60664-1.
c A direct current test voltage may be used only if an alternating test voltage cannot be applied. See also 3) b) ii) of 8.3.3.4.1.

Rated impulse withstand voltage U_{imp} KV	Test voltages and corresponding altitudes				
	Sevel level	200m	500m	1000m	2000m
0.33	0.35	0.35	0.35	0.34	0.33
0.5	0.55	0.54	0.53	0.52	0.58
0.8	0.91	0.9	0.9	0.85	0.8
1.5	1.75	1.7	1.7	1.6	1.5
2.5	2.95	2.8	2.8	2.7	2.5
4.0	4.8	4.8	4.7	4.4	4.0
6.0	7.3	7.2	7.0	6.7	6.0
8.0	9.8	9.6	9.3	9.0	8.0
12.0	14.8	14.5	14	13.3	12

NOTE Table 12 uses the characteristics of homogeneous field, case B (see 2.5.62).

IEC60947-7-1 UL1059 Electrical Performance test

Din Rail terminal blocks Voltage-drop test

Testing purpose:

This electrical test determines the voltage drop on a terminal block (two terminal points) and contact quality

Testing method:

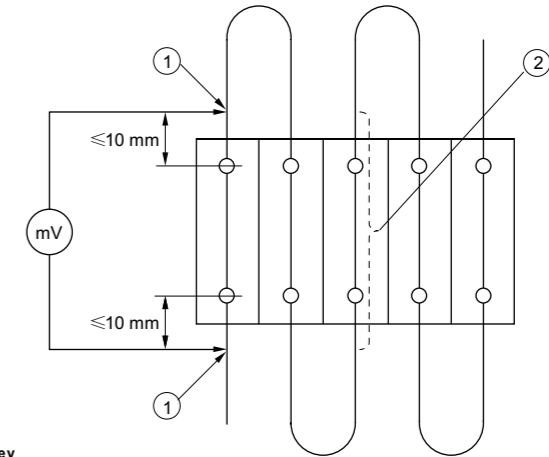
During the test, a direct test current corresponding to 0.1 times the current carrying capacity of the rated cross-section is applied to the terminal blocks, and the voltage drop is picked off at a distance of ≤ 10 mm from the middle of the terminal point (see diagram)

Judgement standard:

At 20°C ambient temperature, the voltage drop across each terminal shall not exceed 3.2mV before and after the test, and shall not exceed 1.5 times the initial value before the test

Quality requirements:

DEGSON Takamatsu's Terminal Blocks Voltage Drop of Terminal Blocks Meets Industry Standards



Key
1 Measuring point of voltage drop
2 Measuring of temperature

Figure 2 Arrangement for tests according to 8.4.5 and 8.4.7, and for the verification of voltage drop



Din Rail Terminal Blocks Voltage-drop Test

S(mm ²)	0.2	0.5	0.75	1	1.5	2.5	4	6	10	16	25	35	50	70	95	120	150	185	240	300	-	-
Current(A)	4	6	9	13.5	17.5	24	32	41	57	76	101	125	150	192	232	269	309	353	415	520	-	-
AWG/MCM	24	22	20	18	16	14	12	10	8	6	4	2	1	1/0	2/0	3/0	4/0	250	300	350	500	600
Current(A)	4	6	8	10	16	22	29	38	50	67	90	121	139	162	185	217	242	271	309	353	415	520

IEC 60947-7-1/-2 / UL 1059 / IEC 61984 Electrical Performance Test

Din Rail Terminal Blocks Temperature-rise Test

- Testing purpose:
Confirm that the product will not generate abnormal temperature under normal operating environment, which may cause possible fire hazard

- Testing method:

- 1) IEC60947-7-1

Install the 5 terminal blocks on the guide rail, as shown in the figure, use 1m ($\leq 10\text{mm}^2$) or 2m ($> 10\text{mm}^2$) wires in series, and load the carrying capacity current corresponding to the rated wire; multilayer wiring terminal blocks and test disconnect terminal blocks are allowed reduce test current according to the manufacturer's requirements

- 2) IEC60947-7-2

Group a): Arrange 5 pieces of mutually insulated protective body terminal blocks adjacent to each other, without bracket installation, and measure the temperature rise on the middle piece of terminal (10mm^2 , $L=1\text{m}$; $> 10\text{mm}^2$, $L=2\text{m}$)

Group b): Install 5 pieces of protective conductor terminal blocks on a non-steel bracket, connect the two outer protective conductor terminals through the bracket, and measure the temperature rise on the two outer terminal blocks (10mm^2 , $L=1\text{m}$; $> 10\text{mm}^2$, $L=2\text{m}$)

- 3) IEC61984

Products of various positions (eg 5 positions, 10 positions....) are connected using loops of 0.5m or 1m long conductors with a maximum cross-section. Load the test current according to the decay curve (basic curve)

- 4) UL1059

Take at least 3 terminal blocks and mount them horizontally (next to each other). The measured ambient temperature is 25°C , the maximum allowable temperature rise is 30 K (measure as close as possible to the wiring point)



Din Rail Terminal Blocks Temperature-rise Test

- Judgement standard:

- 1) IEC60947-7-1

- 2) IEC60947-7-2

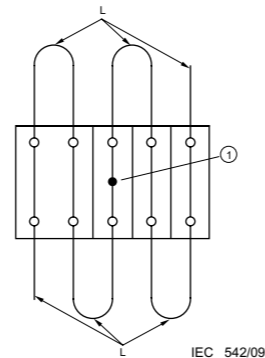
The maximum permissible temperature rise of the terminal block is 45 K. Before and after the Temperature-rise test, the voltage drop test of the five terminal blocks is required

- 3) IEC61984

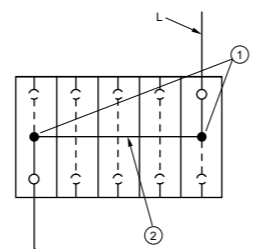
The temperature rise on the terminal contacts must not exceed the upper material temperature

- 4) UL1059

The maximum allowable temperature rise of the terminal is 30K (measured as close as possible to the wiring position)



Key
1 Measurement points
2 Support
a) Group Temperature-rise test layout



Key
1 Measurement points
2 Support
b) Group Temperature-rise test layout

- Quality requirements:

The terminal blocks are made of high-quality contact materials, so the temperature rise values of the terminal blocks with various connection technologies are all lower than the requirements of the specified standard

IEC 60947-7-1/-2 / UL 1059 / IEC 61984 Electrical Performance Test

DIN Rail Terminal Current Carrying Capacity Curve Complies with IEC/EN 60512-5- 2 standard

- Testing purpose:

When choosing a connector, pay attention to the structural requirements of the connector and the size of the current carrying capacity

- Testing method:

The current carrying capacity depends on the cross-sectional area of the connected wires, the ambient temperature, the number of poles carrying current at one time, the internal resistance of the connector, the printed circuit board layout, and the material of the connector. The relationship between current, ambient temperature and temperature rise (up to the limit operating temperature of the connector) can be displayed according to the IEC current carrying capacity curve (decay curve) (see schematic diagram)

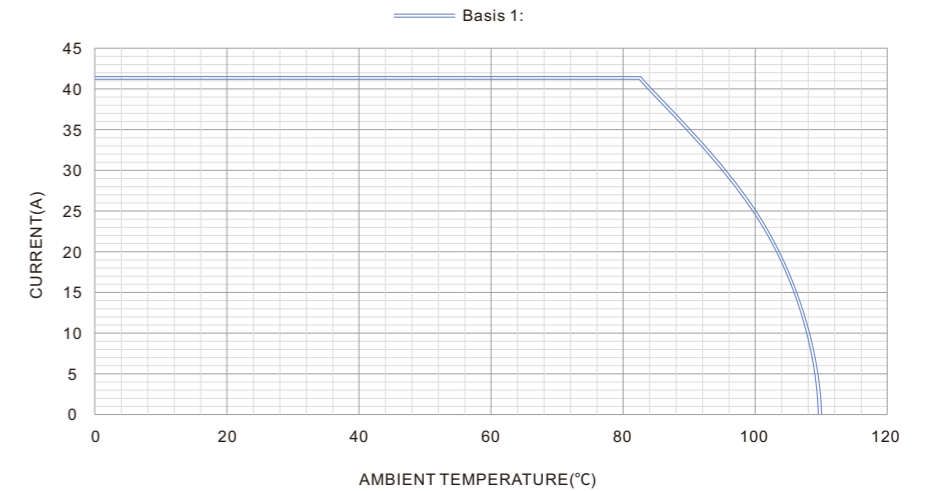
- Judgement standard:

The connector can operate normally within the limit of operating temperature (sum of self-heating and ambient temperature)

- Quality requirement:

DEGSON terminal blocks are made of high-quality contact materials and shell materials to improve the current carrying capacity of the connector

DS6 Derating diagram



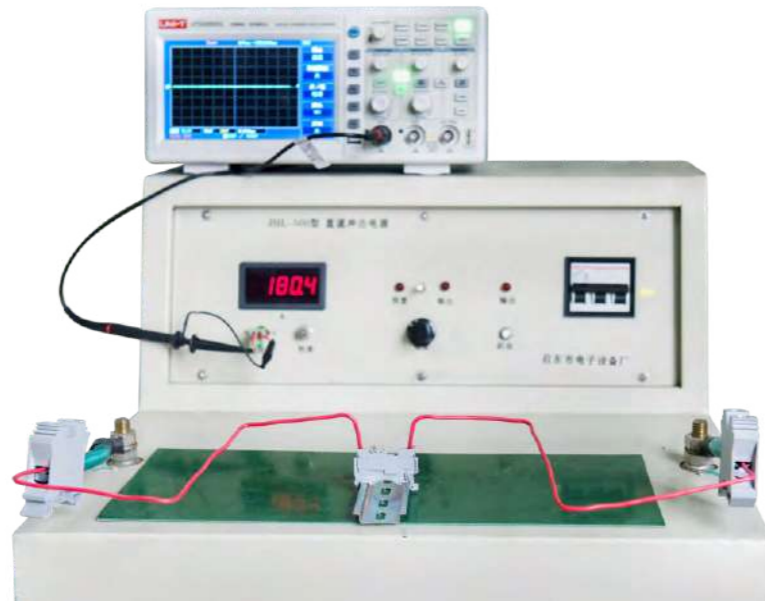
Current-carrying Capacity Curve Diagram Of Rail Terminals (attenuation Curve)

The function of the current-carrying capacity curves (according to IEC/EN 60512-5-2) can be explained with the help of the corresponding graphs of the DS series: for example, in this graph, each pole of a 4-position connector carries 41A Current and connects 4mm^2 wire, the maximum allowable ambient temperature is 80°C . If the temperature is higher, the current will be reduced. For example, when the ambient temperature is 100°C , the carrying current will be reduced to 20A.

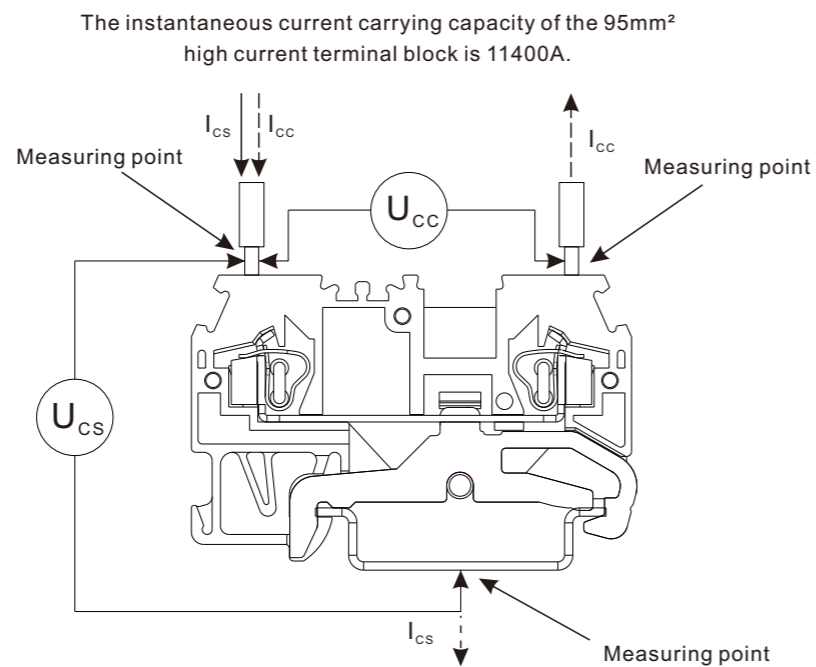
IEC 60947-7-1/-2 / UL 1059 / IEC 61984 Electrical Performance Test

Instantaneous Impulse Current Strength Test of Din Rail Terminal Blocks

- Testing purpose:**
 The terminals must also withstand the transient short-circuit current without damage before the protective device disconnects the current
- Testing method:**
 Mount the terminal with the conductor of rated cross-section on the rail, load current = 120 A/mm^2 (current x rated cross-section) for 1 second. The test process is carried out in three rounds (see schematic diagram)
- Judgement standard:**
 After the test is completed, the components are undamaged and can be used further, which shows test meets requirement. The terminal blocks must pass the voltage drop test before and after this test. The voltage drop on each terminal block before and after the test shall not exceed 3.2mV, and shall not exceed 1.5 times the initial value before the test after the test
- Quality requirements:**
 DEGSON terminal blocks are made of high-quality contact materials and shell materials to improve the current impact capability of the connector



Instantaneous Impulse Current Strength Test of Din Rail Terminal Blocks



In this test, the protective earth terminal block can withstand a secondary current of 120A/mm^2 for a duration of 1s, with an interval of at least 6 minutes between the two times. The voltage drop value is a crucial factor for the product to pass this experiment (limit value and continuous measurement value).

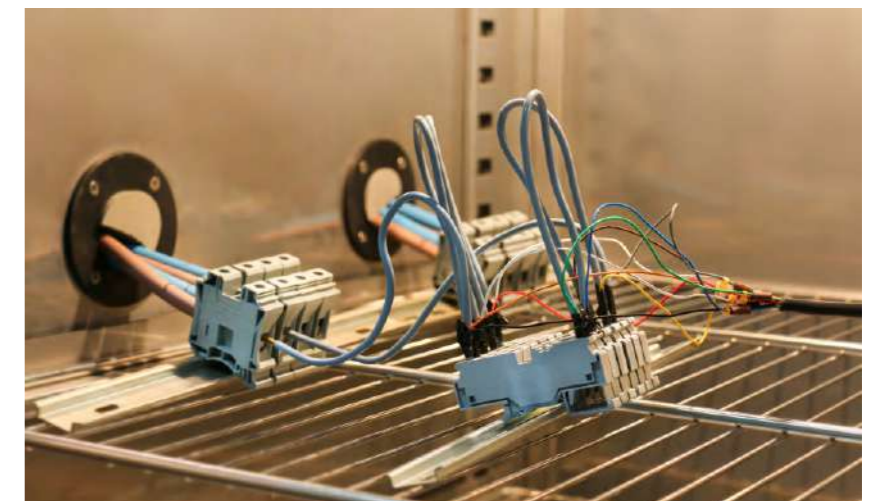
IEC 60947-7-1/-2 / UL 1059 Environmental Performance Test

Din Rail Terminal blocks Aging Cycle Test (spring cage type)

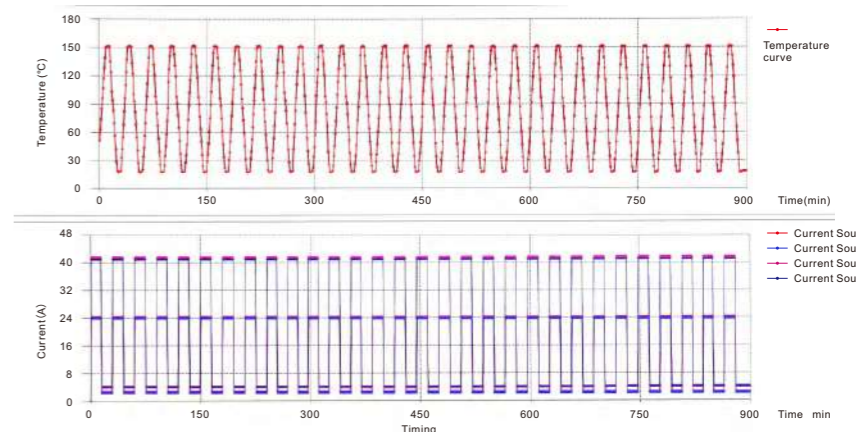
- Testing purpose:**
 In order to prolong the life cycle of the terminal block, the test of the connection quality by simulating the aging process
- Testing method:**
 - IEC: Install the five terminal blocks horizontally on the guide rail, and use wires of rated cross-section in series, and measure the voltage drop across each terminal block. Connect in series with a minimum length of 300 mm wire. The lower and upper temperature limits in the aging box were set to 20°C and $T+45^\circ\text{C}$, respectively. The ramp-up phase continued for 10 minutes after reaching the maximum temperature $T+45^\circ\text{C}$. The power is then disconnected, and the voltage drop is measured once after cooling to about 20°C , or after 24 cycles. There are 192 cycles in the whole testing process
 - UL: continuous use of 1.5 times the rated current, 3.5 hours of power on, 0.5 hours of power off, 84 cycles (cycles) of power on and off
- Judgement standard:**
 - IEC: The initial voltage drop shall not exceed 3.2mV. The voltage drop during and after the test shall not exceed 4.8 mV and shall not exceed 1.5 times the measured value after 24 cycles
 - UL: The maximum temperature rise value of the 84th cycle is not greater than the maximum temperature rise value of the first cycle by 5 degrees
- Quality requirements:**
 DEGSON terminal blocks could maintain strong durability even in harsh working environments. Both plastic and metal parts have a long service life.



Screwless Terminal Blocks Temperature Cyclic Aging Test System



Aging Cycle Test



**GB/T 2423.16-2008/
IEC 60068-2-10:2005**

Mold test

- Testing purpose:
In order to test the influence of mold growth on electronic products and the degree of mold growth on electrical performance, it is necessary to conduct mold tests on terminals
- Testing method:
The strains and freeze-dried spores should be obtained from an approved collection of fungal strains, with an experimental severity level of 2 and a culture period of 56 days.
Prepare the following two sets of samples
The first group of spore suspension inoculated and cultured samples;
Group 2 Negative control samples sprayed or immersed in sterile distilled water according to the inoculation method of Group 1, incubated at the same temperature and humidity, but in a sterile environment.
Oxygen was supplied to the vessel every 7 days until the end of the incubation period.
- Judgement standard:
Grade 2a: Sparse mold growth is seen with the naked eye or scattered and local mold growth is seen under the microscope, and the mold growth area does not exceed 5% of the test area
- Quality requirements:
DEGSON Takamatsu's terminals can meet the mold test requirements 2a standard

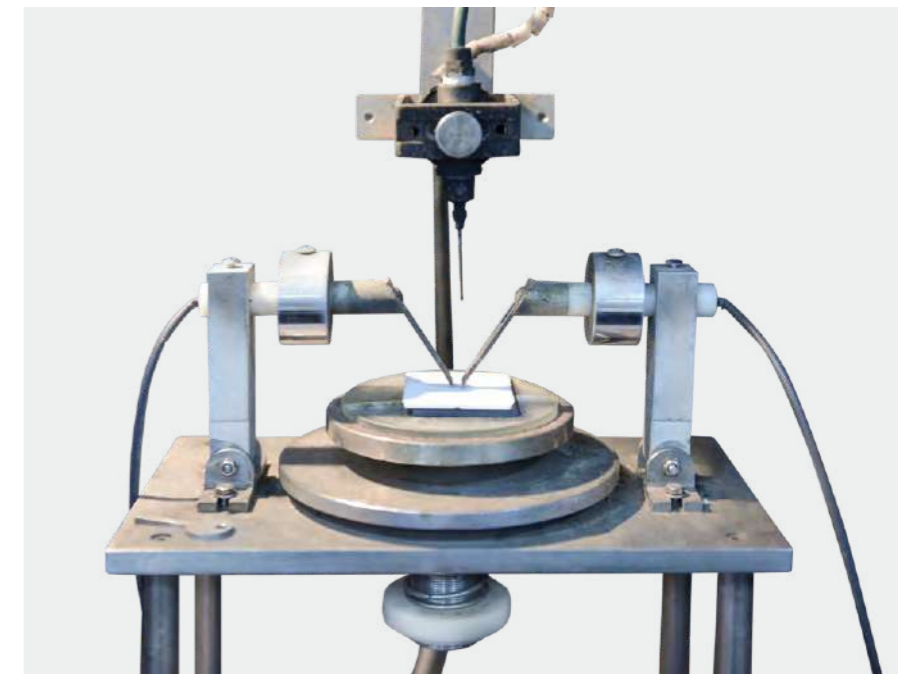
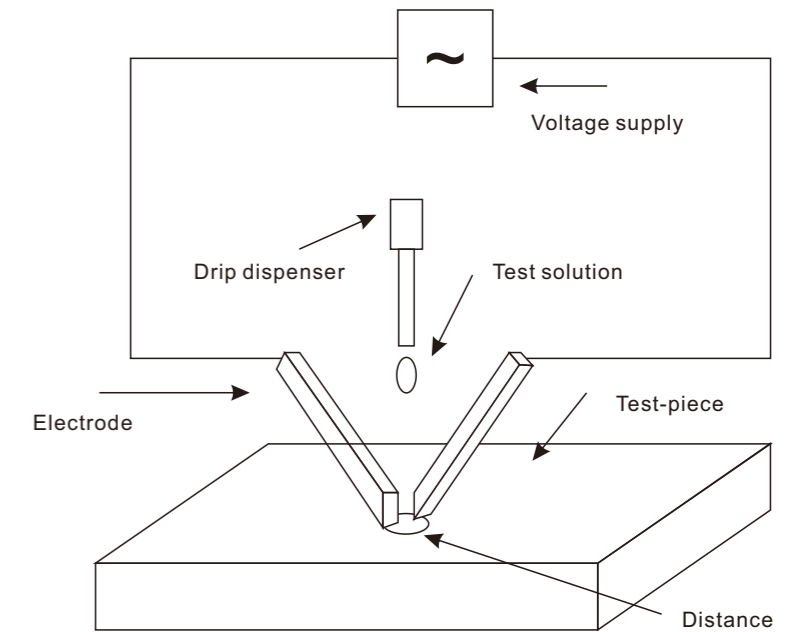


Mold Test Chamber

**IEC 60947-7-1/-2
Material Property
Testing**

**Din Rail Terminal Blocks
Comparative Tracking
Index(CTI) according to IEC
60112**

- Testing purpose:
Humidity and contamination can affect the creepage distance of plastic surfaces. The CTI value of plastic refers to the prevention of leakage caused by creepage gaps
- Testing method:
Place two platinum electrodes with a distance of 4mm on a plastic plate of (40 mm x 40 mm x 3 mm), use 0.1% ammonium chloride solution, apply a standard test voltage to the two electrodes, every 30 seconds, test droplets Drop once, a total of 50 drops
- Judgement standard:
The following judgments are unqualified:
1. Sample surface current $\geq 0.5A$ delay 2s
2. The surface current of the sample is less than 0.5A, but it catches fire
3. After 50 drops of the solution, the sample is dripped through
- Quality requirement:
Plastic materials used by DEGSON meets the highest test voltage category, CTI can reach 600V



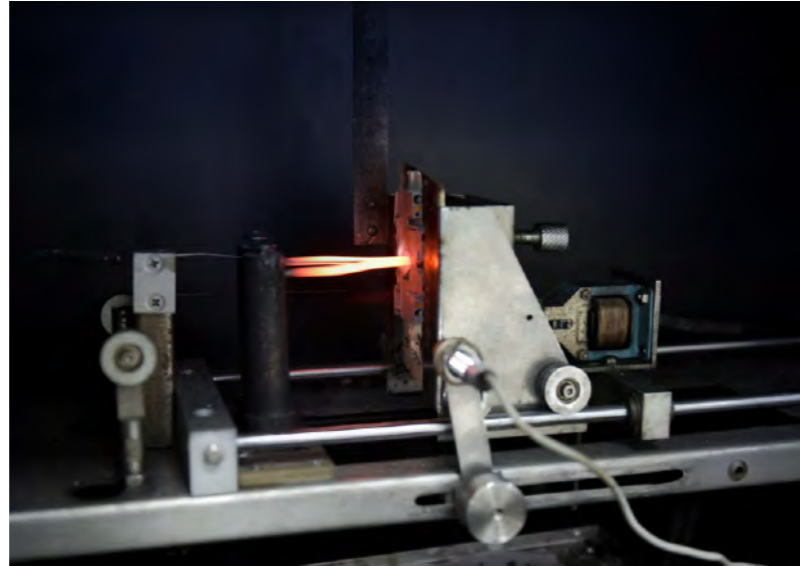
Din Rail Terminal Blocks Comparative Tracking Test

IEC 60947-7-1/-2 Material Property Testing

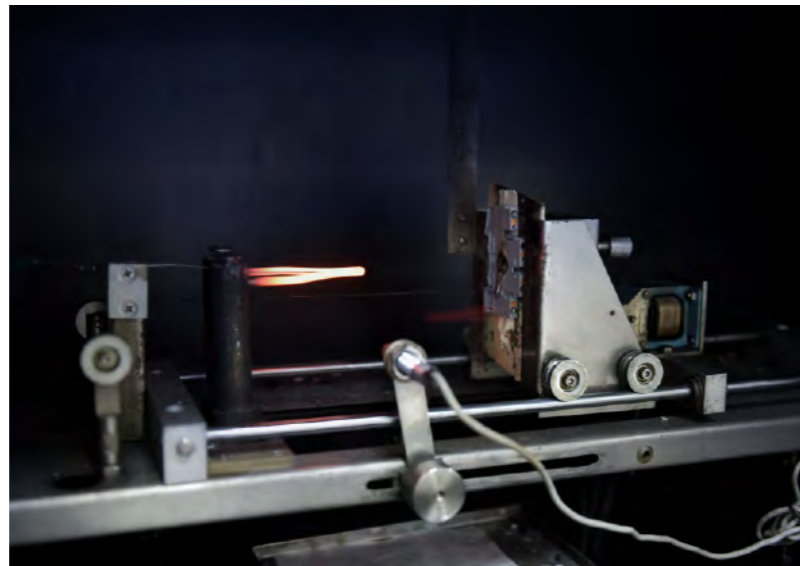
Din Rail Terminal Block Glow Wire Compliant to IEC 60695-2- 11/-12

- Testing purpose:
Under overload conditions, conductive metal parts may experience significant heat generation. This extra heat can have an effect on the plastic housing. Glow wire test simulates fire hazard to electronic components
- Testing method:
In the glow wire test, the glow wire is heated to a specified temperature (750°C, 850°C or 960°C). As shown in the figure, use a pushing force of 1N, and vertically touch the glow wire to the thinnest part of the test piece shell and heat for 30s
- Judgement standard:
No flame or burning process occurred during the test

 - The flame or red heat of the specimen is extinguished within 30 seconds after the glow wire is removed;
 - Burning droplets cannot ignite the silk paper under the test piece
- Quality requirement:
The nylon used in the housing material of DEGSON Takamatsu terminals can meet the requirements of UL yellow card



DIN Rail Terminal Block Glow Wire In Testing



DIN Rail Terminal Block Glow Wire After Testing

IEC 60947-7-1/-2 Material Property Testing

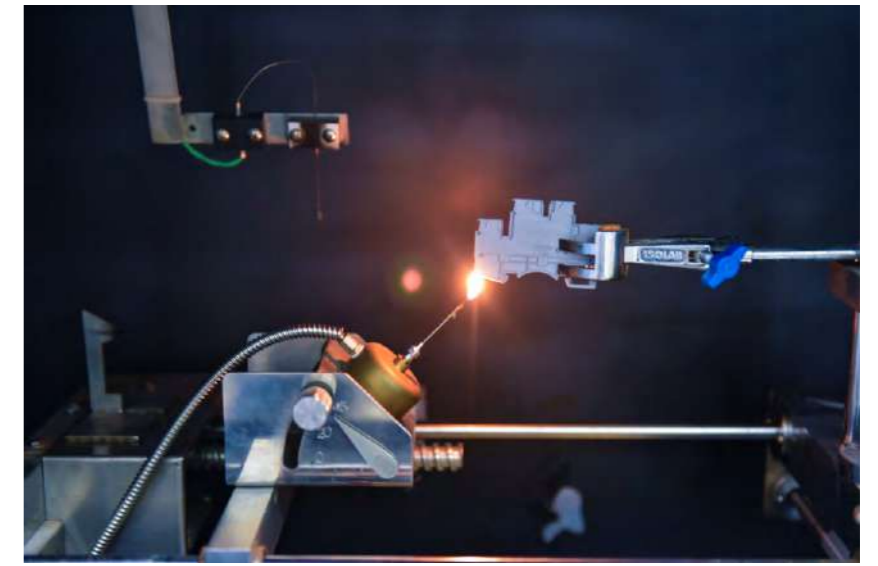
Din Rail terminal block needle flame test compliant to IEC 60695-2-2

- Testing purpose:
In the fire test, an external fire source is used to directly approach the test component, and it acts directly on the component from the outside to simulate the flame retardant performance of the component.
- Testing method:
During the test, an open flame generated by butane gas is applied to an outside or surface of the test piece at an angle of 45° for 10 seconds. Then observe the test subject's reaction after being removed from the fire
- Judgement standard:
No flame or combustion process occurred during the test

 - After the flame is removed, the flame or red heat of the specimen is extinguished within 30 seconds;
 - Burning droplets cannot ignite the silk paper under the test piece
- Quality requirement:
DEGSON uses high-quality plastic materials and special construction, all terminals have passed the needle flame test



Needle Flame Tester

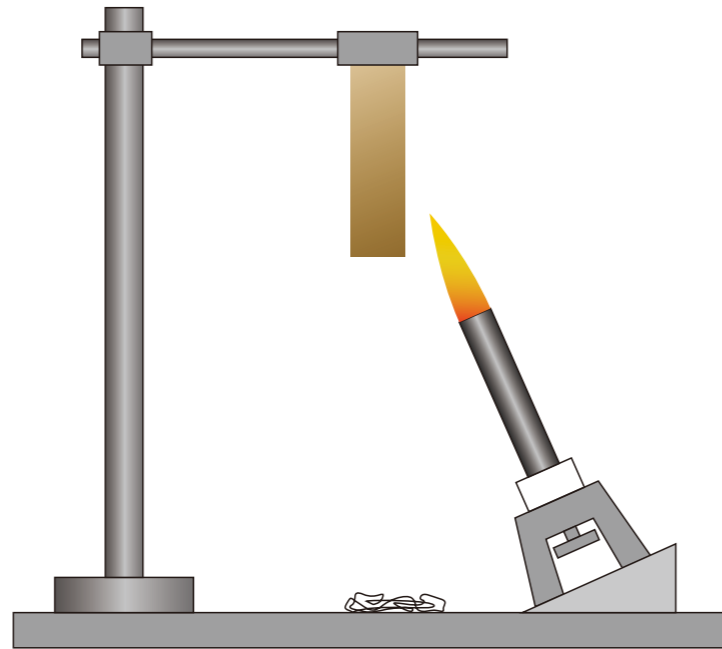


DIN Rail Terminal Block Needle Flame Test

IEC 60947-7-1/-2 Material Property Testing

Rail terminal flame retardant test conforms to UL94

- Testing purpose:
In fire tests, the flame retardant properties or burning behavior of materials
- Testing method:
After preconditioning, the test strips were clamped vertically and flame heated 2 times, each lasting 10 seconds. Record the length of time that each material burns to extinguish
- Quality requirements:
DEGSON terminal blocks use UL94 PA66 V0 plastic material



Rail Terminal Flame Retardant Test

Type	UL94 V0	UL94 V1	UL94 V2
Each flame's burning time	≤10 s	≤30 s	≤30 s
Total 10 times of flame's burning time	≤50 s	≤250 s	≤250 s
Second flame's burning time	≤30 s	≤60 s	≤60 s
Complete combustion	No	No	No
The cotton wool under the test sample is ignited	No	No	No

IEC 60068-2-11 Environmental Performance Test

Din Rail Terminal Block Salt Spray Corrosion Test

- Testing purpose:
In salt spray environment, technical components must be able to function continuously in aggressive environment. The air contains salt and high humidity, and the metal parts used are required to have strong corrosion resistance. According to the above standards, the impact on the marine climate is simulated
- Testing method:
Test subjects were placed in a test chamber and sprayed with 5% sodium chloride (NaCl; pH 6.5 - 7.2) for 96 hours at ambient conditions at 35°C
- Judgement standard:
Observe the appearance of the test object and conduct an electrical test on the resistance of the junction in order to verify the effect of the corrosion test on the junction
- Quality requirement:
DEGSON terminal blocks uses corrosion-resistant high-grade copper alloys to ensure that the contacts are not corroded in extreme environments



Salt Spray Test Chamber



Din Rail Terminal Blocks Salt Spray Corrosion Test

Environmental Performance Test

Din Rail Terminal Blocks Temperature Cycling Test

- Testing purpose:**
 In process control, sharp temperature changes often occur near its cold and heat sources. This test verifies that the junction point guarantees long-lasting excellent connection quality, even when subjected to rapid temperature changes
- Testing method:**
 The 5 terminal blocks for connecting the rated cross-section conductors are mounted on the rail and subjected to temperature shock using a dual temperature control test. Set the temperature in the box to the upper limit temperature of the terminal blocks +105°C and the lower limit temperature -40°C respectively. The terminal blocks stays in each temperature control box for 12H. The temperature was cycled 5 times. After cooling to room temperature, the terminal blocks must also pass the voltage drop test
- Judgement standard:**
 After the test is completed, the parts are not damaged and can be used further, which shows test meets requirement
- Quality requirement:**
 DEGSON terminal blocks uses temperature-resistant nylon material to ensure well-balanced temperature characteristics in extreme environments



Din Rail Terminal Blocks Temperature Cycling Test



Din Rail Terminal Blocks Temperature Cycling Test

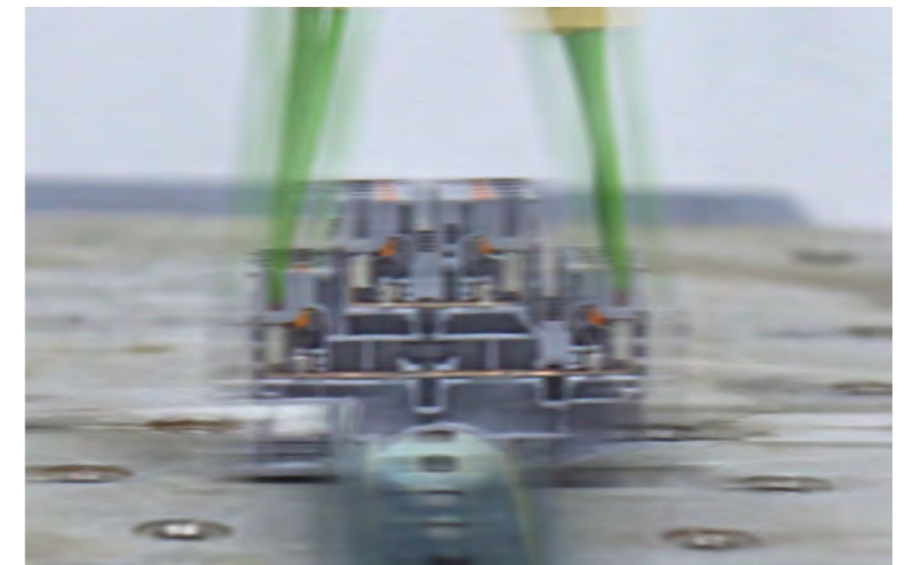
IEC 61373 / IEC 60068-2-6 Vibration Test(DIN EN 50155)

Din Rail Terminal Blocks Vibration Test

- Testing purpose:**
 In the rail industry, terminal blocks are subject to vibration and shock. In order to simulate the vibration experienced in actual use, the test object is subjected to a broadband noise and vibration test
- Testing method:**
 In the test frequency range: 5Hz to 150Hz. The equivalent value of acceleration can be up to 7.91m/s². The test piece must be tested for 5 hours in each of the three axis directions (X, Y, Z). During the testing process, in addition to vibration testing, it is necessary to monitor the electrical contacts, which increases the difficulty of testing.
- Judgement standard:**
 The contact resistance shall not be more than 1 μs during vibration, and the contact resistance shall be measured before and after the test. After the test is completed, there shall be no damage that affects subsequent normal use
- Quality requirements:**
 The terminal blocks with different connection technologies provided by DEGSON have passed high standard vibration test



Vibration Testing Machine



Din Rail Terminal Blocks Vibration Test

IEC 61373/IEC 60068-2-27 Shock Testing

Din Rail Terminal Blocks Shock Testing

- Testing purpose:**
 In the rail industry, terminal blocks are subject to vibration and shock. Detect and verify the ability of the joint to resist different shocks
- Testing method:**
 Three shocks applied in the positive and negative directions of the three coordinate axes (X, Y, Z). The simulated acceleration reaches 20g, the pulse duration is 11ms, and the (X, Y, Z) shocks 3 times in the forward and reverse directions, a total of 18 times
- Judgement standard:**
 During the test, the contact disconnection of more than 1μs shall not occur. After the test is completed, there shall be no damage that affects the subsequent normal use.
- Quality requirements:**
 DEGSON din rail terminals are all subjected to high-strength shocks and are suitable for occasions that are susceptible to strong shocks

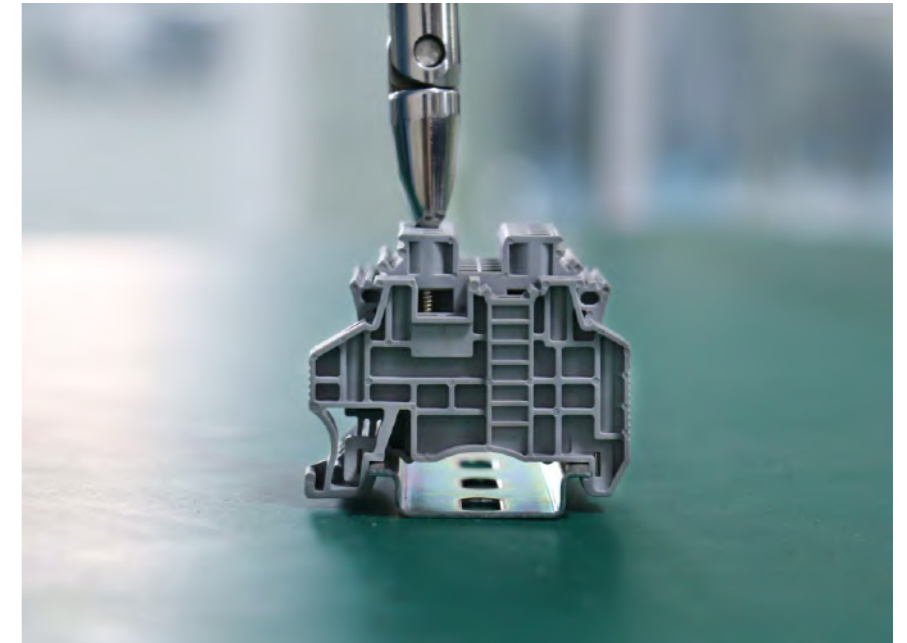


Shock Testing Machine

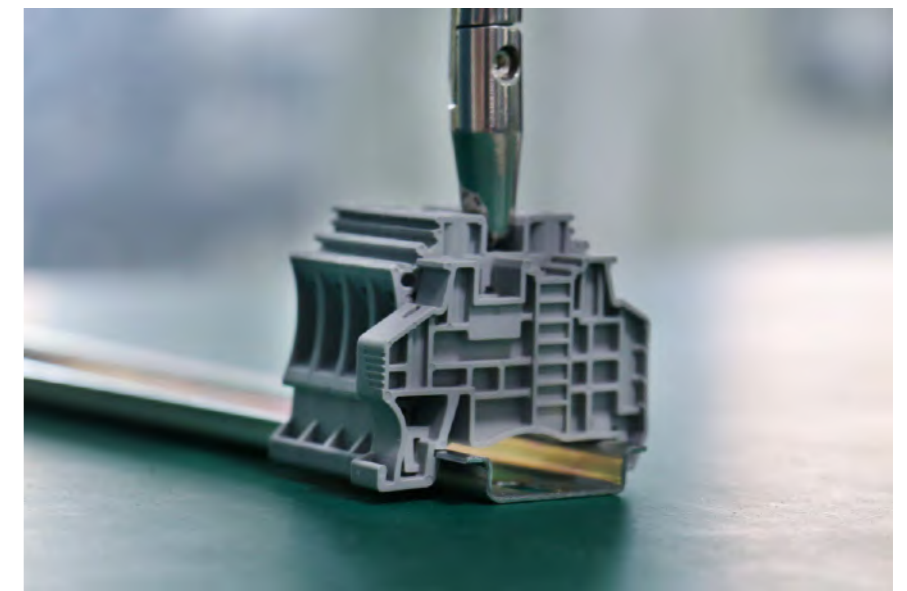
IEC60529, EN50274 Protection Against Contact Test

Din rail terminal blocks touch protection test

- Testing purpose:**
 Electrical installations and systems must ensure a very high level of safety for service technicians. The voltage-free state of the affected low-voltage system or system parts up to AC 1000V and DC 1500V when working near live parts. To prevent electric shock, live parts must be protected from direct contact with covers or brackets
- Testing method:**
 When testing according to EN50274, the test probe exerts a force on the test object in the direction of operation
- Judgement standard:**
 For electrical contact between the test probe and live parts, do not use a test force of more than 10N to demonstrate touch-proof safety, and a test force of 50N to demonstrate "back of hand" safety
- Quality requirements:**
 DEGSON din rail terminal blocks meets the standard finger protection against contact requirements



Din Rail Terminal Blocks Touch Protection Test



Din Rail Terminal Blocks Touch Protection Test